



GOF 130 Professional

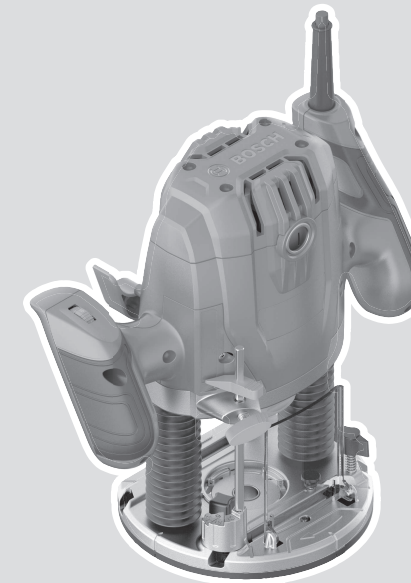
Robert Bosch Power Tools GmbH
70538 Stuttgart
GERMANY

www.bosch-pt.com

1 609 92A 5MU (2021.03) T / 69



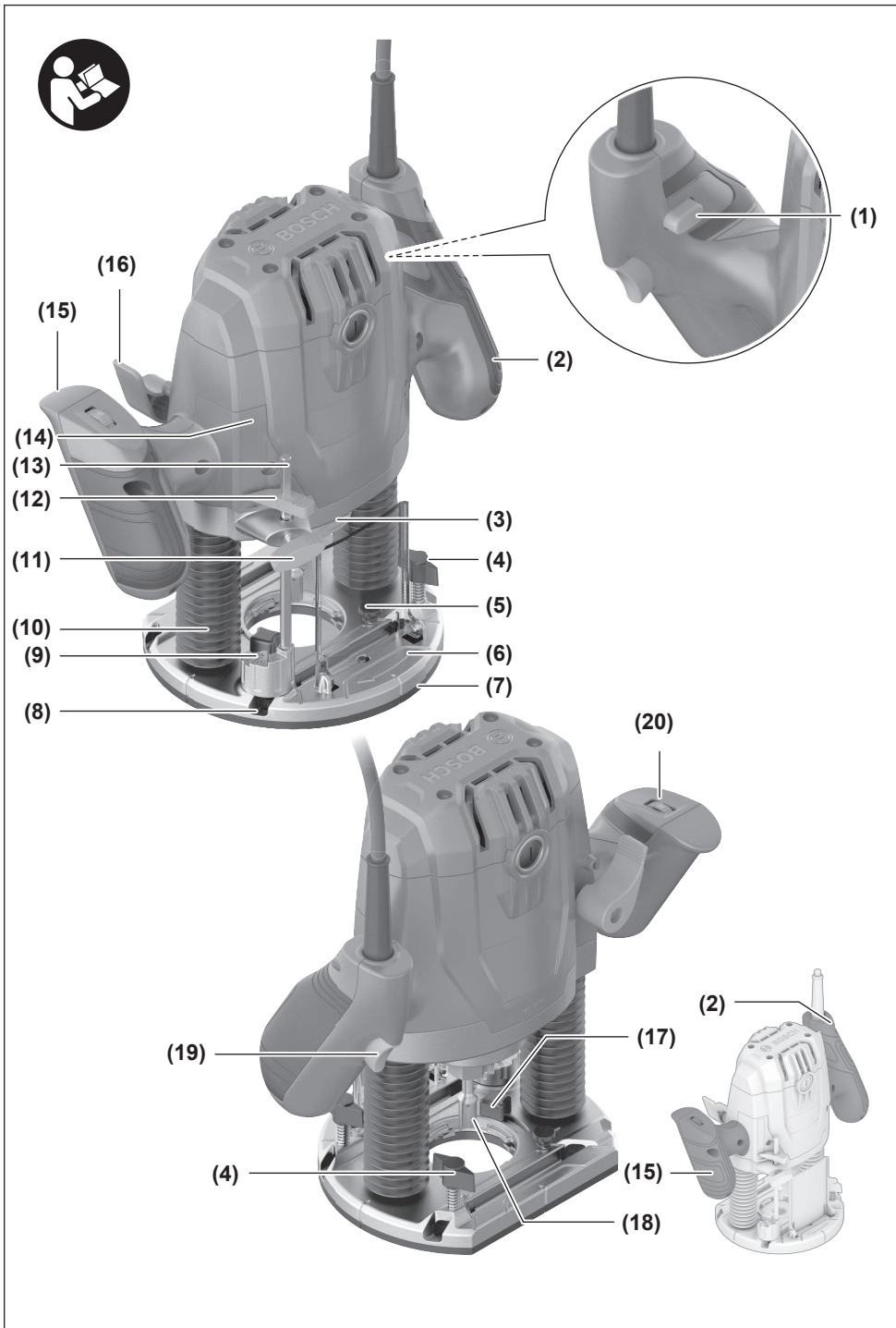
1 609 92A 5MU

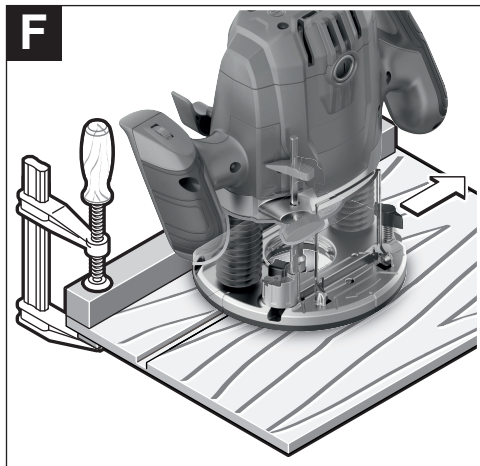
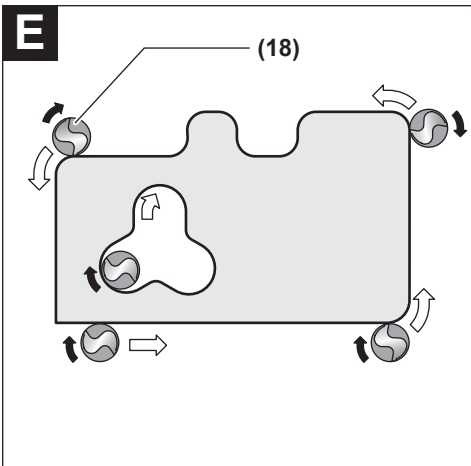
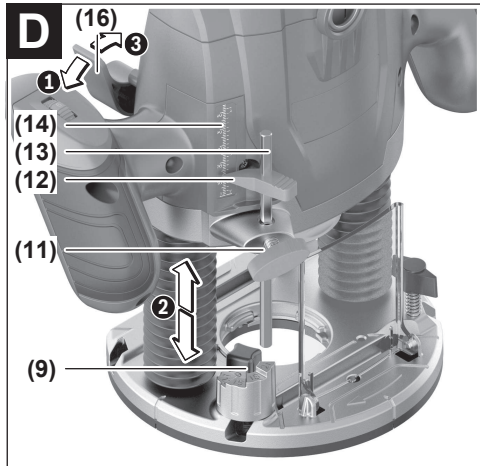
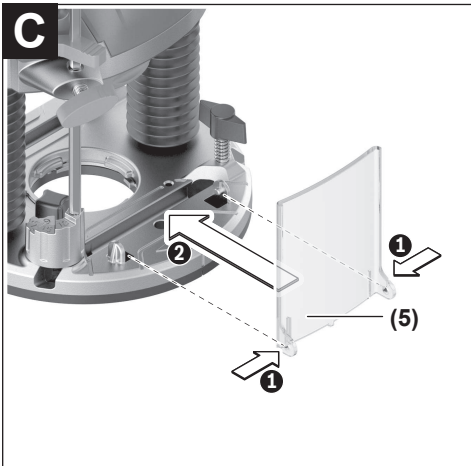
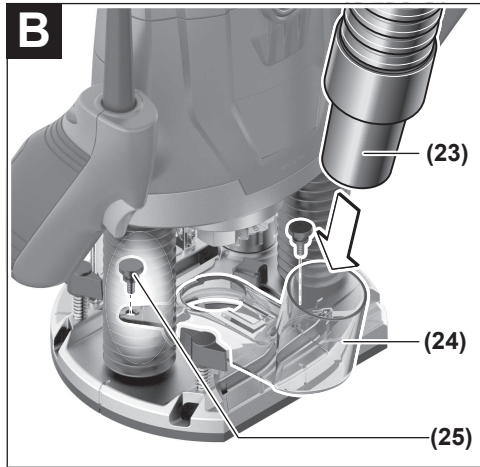
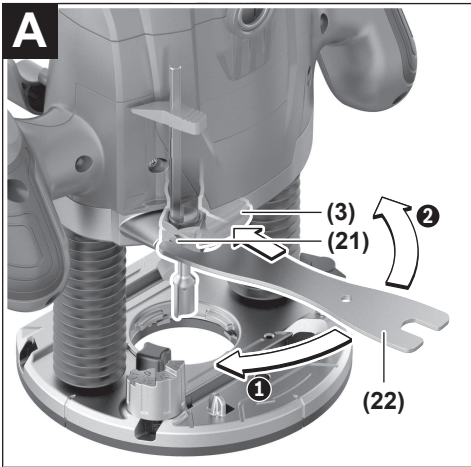


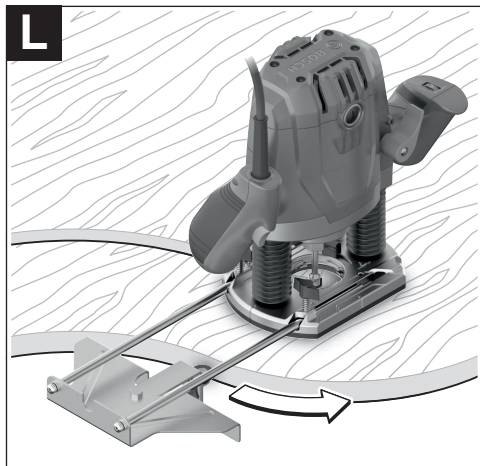
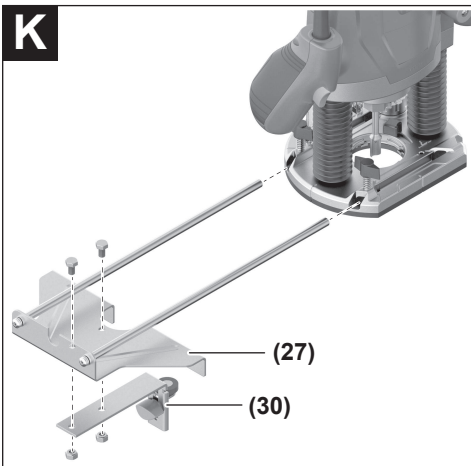
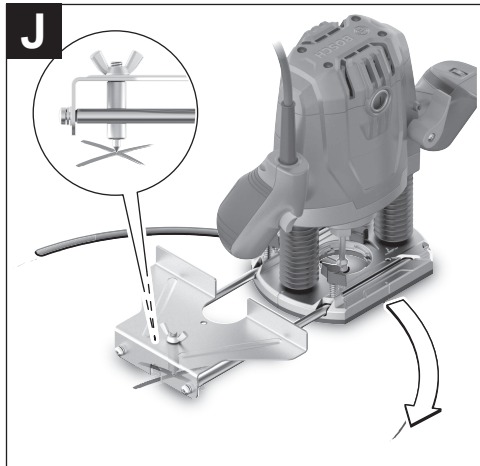
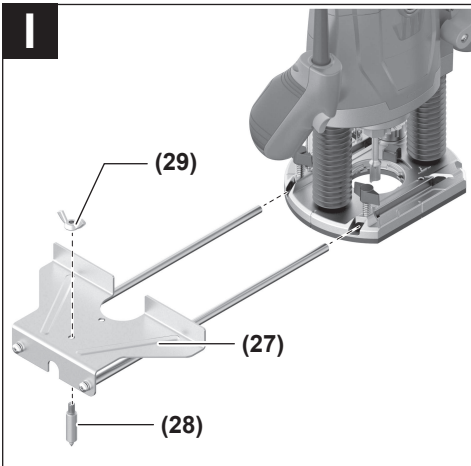
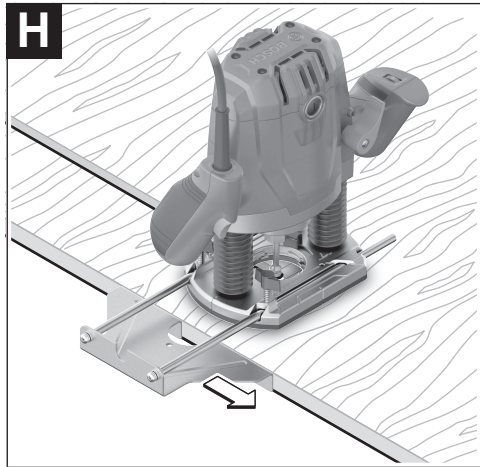
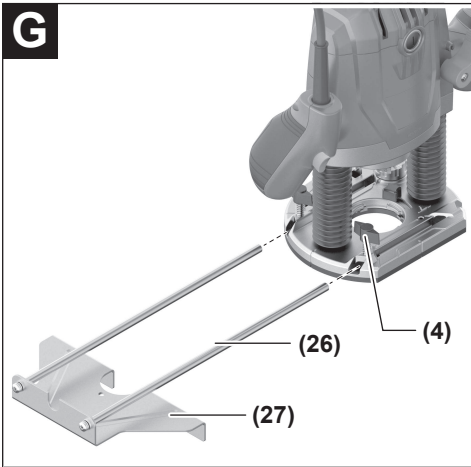
- en Original instructions
- fr Notice originale
- pt Manual original
- zh 正本使用说明书
- zh 原始使用說明書
- th หนังสือคู่มือการใช้งานฉบับต้นแบบ
- id Petunjuk-Petunjuk untuk Penggunaan Orisinal
- vi Bản gốc hướng dẫn sử dụng
- ar دليل التشغيل الأصلي
- fa دفترچه راهنمای اصلی

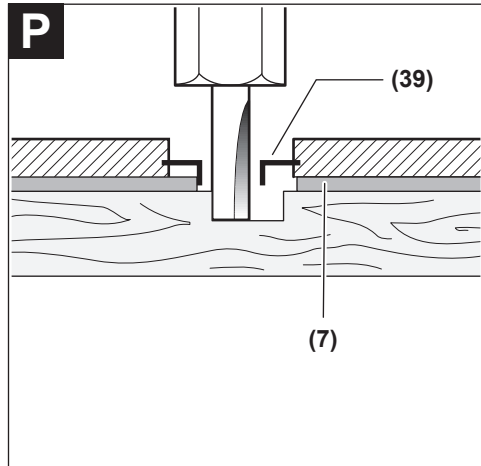
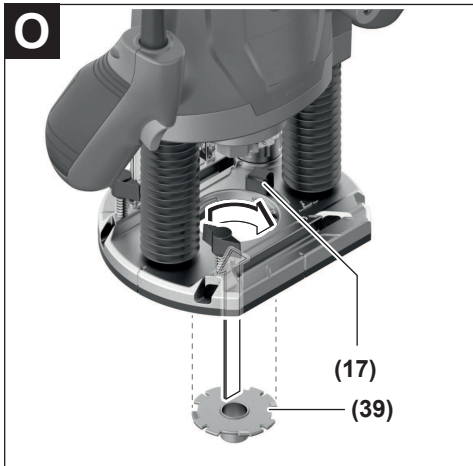
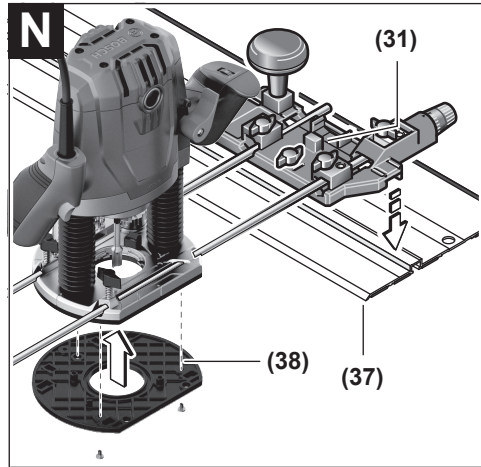
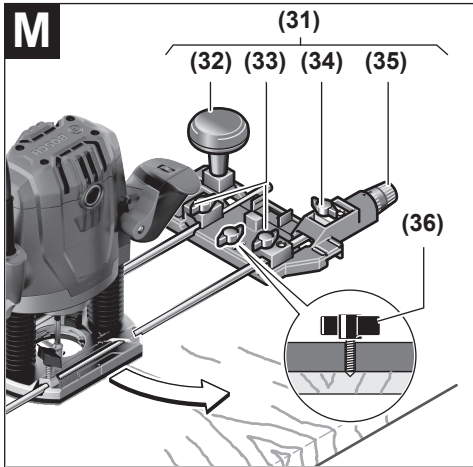


English	Page	7
Français	Page	12
Português	Página	18
中文	頁	25
繁體中文	頁	30
ไทย	หน้า	34
Bahasa Indonesia	Halaman	42
Tiếng Việt	Trang	48
عربي	الصفحة	55
فارسی	صفحه	61









English

Safety Instructions

General Power Tool Safety Warnings

⚠ WARNING Read all safety warnings, instructions, illustrations and specifications provided with this power tool. Failure to follow all instructions listed below may result in electric shock, fire and/or serious injury.

Save all warnings and instructions for future reference.

The term "power tool" in the warnings refers to your mains-operated (corded) power tool or battery-operated (cordless) power tool.

Work area safety

- ▶ **Keep work area clean and well lit.** Cluttered or dark areas invite accidents.
- ▶ **Do not operate power tools in explosive atmospheres, such as in the presence of flammable liquids, gases or dust.** Power tools create sparks which may ignite the dust or fumes.
- ▶ **Keep children and bystanders away while operating a power tool.** Distractions can cause you to lose control.

Electrical safety

- ▶ **Power tool plugs must match the outlet. Never modify the plug in any way. Do not use any adapter plugs with earthed (grounded) power tools.** Unmodified plugs and matching outlets will reduce risk of electric shock.
- ▶ **Avoid body contact with earthed or grounded surfaces, such as pipes, radiators, ranges and refrigerators.** There is an increased risk of electric shock if your body is earthed or grounded.
- ▶ **Do not expose power tools to rain or wet conditions.** Water entering a power tool will increase the risk of electric shock.
- ▶ **Do not abuse the cord. Never use the cord for carrying, pulling or unplugging the power tool. Keep cord away from heat, oil, sharp edges or moving parts.** Damaged or entangled cords increase the risk of electric shock.
- ▶ **When operating a power tool outdoors, use an extension cord suitable for outdoor use.** Use of a cord suitable for outdoor use reduces the risk of electric shock.
- ▶ **If operating a power tool in a damp location is unavoidable, use a residual current device (RCD) protected supply.** Use of an RCD reduces the risk of electric shock.

Personal safety

- ▶ **Stay alert, watch what you are doing and use common sense when operating a power tool. Do not use a power tool while you are tired or under the influence of drugs, alcohol or medication.** A moment of inatten-

tion while operating power tools may result in serious personal injury.

- ▶ **Use personal protective equipment. Always wear eye protection.** Protective equipment such as a dust mask, non-skid safety shoes, hard hat or hearing protection used for appropriate conditions will reduce personal injuries.
- ▶ **Prevent unintentional starting. Ensure the switch is in the off-position before connecting to power source and/or battery pack, picking up or carrying the tool.** Carrying power tools with your finger on the switch or energising power tools that have the switch on invites accidents.
- ▶ **Remove any adjusting key or wrench before turning the power tool on.** A wrench or a key left attached to a rotating part of the power tool may result in personal injury.
- ▶ **Do not overreach. Keep proper footing and balance at all times.** This enables better control of the power tool in unexpected situations.
- ▶ **Dress properly. Do not wear loose clothing or jewellery. Keep your hair and clothing away from moving parts.** Loose clothes, jewellery or long hair can be caught in moving parts.
- ▶ **If devices are provided for the connection of dust extraction and collection facilities, ensure these are connected and properly used.** Use of dust collection can reduce dust-related hazards.
- ▶ **Do not let familiarity gained from frequent use of tools allow you to become complacent and ignore tool safety principles.** A careless action can cause severe injury within a fraction of a second.

Power tool use and care

- ▶ **Do not force the power tool. Use the correct power tool for your application.** The correct power tool will do the job better and safer at the rate for which it was designed.
- ▶ **Do not use the power tool if the switch does not turn it on and off.** Any power tool that cannot be controlled with the switch is dangerous and must be repaired.
- ▶ **Disconnect the plug from the power source and/or remove the battery pack, if detachable, from the power tool before making any adjustments, changing accessories, or storing power tools.** Such preventive safety measures reduce the risk of starting the power tool accidentally.
- ▶ **Store idle power tools out of the reach of children and do not allow persons unfamiliar with the power tool or these instructions to operate the power tool.** Power tools are dangerous in the hands of untrained users.
- ▶ **Maintain power tools and accessories. Check for misalignment or binding of moving parts, breakage of parts and any other condition that may affect the power tool's operation. If damaged, have the power tool repaired before use.** Many accidents are caused by poorly maintained power tools.

- ▶ **Keep cutting tools sharp and clean.** Properly maintained cutting tools with sharp cutting edges are less likely to bind and are easier to control.
- ▶ **Use the power tool, accessories and tool bits etc. in accordance with these instructions, taking into account the working conditions and the work to be performed.** Use of the power tool for operations different from those intended could result in a hazardous situation.
- ▶ **Keep handles and grasping surfaces dry, clean and free from oil and grease.** Slippery handles and grasping surfaces do not allow for safe handling and control of the tool in unexpected situations.

Service

- ▶ **Have your power tool serviced by a qualified repair person using only identical replacement parts.** This will ensure that the safety of the power tool is maintained.

Safety information for routers

- ▶ **Hold the power tool by insulated gripping surfaces only, because the cutter may contact its own cord.** Cutting a "live" wire may make exposed metal parts of the power tool "live" and could give the operator an electric shock.
- ▶ **Use clamps or another practical way to secure and support the workpiece to a stable platform.** Holding the work by your hand or against the body leaves it unstable and may lead to loss of control.
- ▶ **The permitted speed of the cutting bit must be at least equal to the maximum speed marked on the power tool.** If cutting bits run faster than their rated speed, they may break and fly off.
- ▶ **Routers and other accessories must be able to fit exactly in the tool holder (collet) of your power tool.** Application tools that do not fit exactly in the tool holder of the power tool will turn unevenly, vibrate heavily and may cause a loss of control.
- ▶ **Only bring the power tool into contact with the workpiece when switched on.** Otherwise there is danger of kickback if the cutting tool jams in the workpiece.
- ▶ **Do not put your hands in the routing area or close to the router. Grip the auxiliary handle with your other hand.** Holding the router with both hands avoids injury.
- ▶ **Never rout over metal objects, nails or screws.** The router could become damaged and cause increased vibration.
- ▶ **Use suitable detectors to determine if utility lines are hidden in the work area or call the local utility company for assistance.** Contact with electric lines can lead to fire and electric shock. Damaging a gas line can lead to explosion. Penetrating a water line causes property damage or may cause an electric shock.
- ▶ **Do not use blunt or damaged routers.** Blunt or damaged routers cause increased friction, create imbalances and may become jammed.

- ▶ **Always wait until the power tool has come to a complete stop before placing it down.** The application tool can jam and cause you to lose control of the power tool.
- ▶ **Hold the power tool firmly with both hands and make sure you have a stable footing.** The power tool can be more securely guided with both hands.

Products sold in GB only:

Your product is fitted with an BS 1363/A approved electric plug with internal fuse (ASTA approved to BS 1362).

If the plug is not suitable for your socket outlets, it should be cut off and an appropriate plug fitted in its place by an authorised customer service agent. The replacement plug should have the same fuse rating as the original plug.

The severed plug must be disposed of to avoid a possible shock hazard and should never be inserted into a mains socket elsewhere.

Product Description and Specifications



Read all the safety and general instructions.

Failure to observe the safety and general instructions may result in electric shock, fire and/or serious injury.

Please observe the illustrations at the beginning of this operating manual.

Intended use

The power tool is intended for copy routing as well as routing grooves, edges, profiles and elongated holes in wood, plastic and light building materials while resting firmly on the workpiece.

Can even be used to machine non-ferrous metals when used at a low speed with the appropriate router bits.

Product features

The numbering of the product features refers to the diagram of the power tool on the graphics page.

- (1) Lock button for on/off switch
- (2) Right handle (insulated gripping surface)
- (3) Spindle lock button
- (4) Wing bolt for parallel guide rods (2x)
- (5) Chip protection
- (6) Base plate
- (7) Guide plate
- (8) Holder for parallel guide rods
- (9) Step buffer
- (10) Protective sleeve
- (11) Wing bolt for depth stop adjustment
- (12) Slide with index mark
- (13) Depth stop
- (14) Scale for setting routing depth
- (15) Left handle (insulated gripping surface)

- (16) Clamping lever for locking the routing depth
- (17) Unlocking lever for guide bushing
- (18) Router bit^{a)}
- (19) On/off switch
- (20) Speed preselection thumbwheel
- (21) Cap nut with collet
- (22) Open-ended spanner (19 mm)
- (23) Extraction hose (dia. 35 mm)^{a)}
- (24) Dust extraction adapter
- (25) Knurled screw for dust extraction adapter (2x)
- (26) Guide rod for parallel guide (2x)
- (27) Parallel guide
- (28) Centring pin^{a)}
- (29) Wing bolt for centring pin^{a)}
- (30) Curve guide^{a)}
- (31) Router compass/guide rail adapter^{a)}
- (32) Handle for router compass^{a)}
- (33) Wing bolt for router compass coarse adjustment (2x)^{a)}
- (34) Wing bolt for router compass fine adjustment (1x)^{a)}
- (35) Knob for router compass fine adjustment^{a)}
- (36) Centring screw^{a)}
- (37) Guide rail^{a)}
- (38) Spacer plate (part of the router compass set)
- (39) Guide bushing

a) **Accessories shown or described are not included with the product as standard. You can find the complete selection of accessories in our accessories range.**

Technical data

Router		GOF 130
Article number		3 601 FB7 0..
Rated power input	W	1300
No-load speed	min ⁻¹	11000–28000
Speed preselection		●
Constant electronic control		●
Connection for dust extraction		●
Compatible collets	mm inches	6/8 ¼
Router cage stroke	mm	55
Weight according to EPTA-Procedure 01:2014	kg	3.5
Protection class		□/II

The specifications apply to a rated voltage [U] of 230 V. These specifications may vary at different voltages and in country-specific models.

Fitting

- ▶ **Pull the plug out of the socket before carrying out any work on the power tool.**

Inserting the router bit (see figure A)

- ▶ **Wearing protective gloves while fitting and changing router bits is recommended.**

Router bits are available in a wide variety of designs and qualities depending on the intended application.

Router bits made of high-performance high-speed steel (HSS) are suited to machining soft materials such as softwood and plastic.

Router bits with carbide tips are especially suitable for hard and abrasive materials such as hardwood and aluminium.

Original router bits from the extensive range of Bosch accessories are available from your specialist dealer.

Only use undamaged and clean router bits.

- Pull the chip protection (5) downwards.
- Press and hold the spindle lock button (3). If necessary, turn the motor spindle manually until it is locked in place.
- Loosen the cap nut (21) with the open-ended spanner (22) (width across flats of 19 mm) by turning it in direction ❶.
- Slide the router bit into the collet. The shank of the router bit must be pushed at least 20 mm into the collet.
- Tighten the cap nut (21) with the open-ended spanner (22) (width across flats of 19 mm) by turning it in direction ❷. Release the spindle lock button (3).
- Pull the chip protection (5) upwards.

- ▶ **Do not insert a router bit with a diameter larger than 50 mm when the guide bushing is not mounted.** These router bits will not fit through the base plate.

- ▶ **Do not, under any circumstances, tighten the collet with the tightening nut until a router bit has been fitted.** The collet may otherwise become damaged.

Dust/Chip Extraction

The dust from materials such as lead paint, some types of wood, minerals and metal can be harmful to human health. Touching or breathing in this dust can trigger allergic reactions and/or cause respiratory illnesses in the user or in people in the near vicinity.

Certain dusts, such as oak or beech dust, are classified as carcinogenic, especially in conjunction with wood treatment additives (chromate, wood preservative). Materials containing asbestos may only be machined by specialists.

- Use a dust extraction system that is suitable for the material wherever possible.
- Provide good ventilation at the workplace.
- It is advisable to wear a P2 filter class breathing mask.

The regulations on the material being machined that apply in the country of use must be observed.

- **Avoid dust accumulation at the workplace.** Dust can easily ignite.

Fitting the dust extraction adapter

The dust extraction adapter (24) can be fitted to the front or the back using the hose connection. When fitting with the hose connection to the front, the chip protection (5) must first be removed. Fasten the dust extraction adapter (24) to the base plate (6) using the two knurled screws (25).

To ensure optimum extraction, the dust extraction adapter (24) must be cleaned regularly.

Connecting the dust extraction system (see figure B)

Attach an extraction hose (dia. 35 mm) (23) (accessory) to the fitted dust extraction adapter. Connect the dust extraction hose (23) to a dust extractor (accessory).

The power tool can be directly connected to the plug socket of a **Bosch** all-purpose dust extractor with remote starter. This dust extractor is started up automatically when the power tool is switched on.

The dust extractor must be suitable for the material being worked.

When extracting dry dust or dust that is especially detrimental to health or carcinogenic, use a special dust extractor.

Fitting the chip protection (see figure C)

Push the chip protection (5) into the guide from the front so that it clicks into place. To remove it, hold the sides of the chip protection and pull it forwards.

Operation

- **Products that are only sold in AUS and NZ:** Use a residual current device (RCD) with a nominal residual current of 30 mA or less.
- **Pay attention to the mains voltage. The voltage of the power source must match the voltage specified on the rating plate of the power tool. Power tools marked with 230 V can also be operated with 220 V.**

Starting Operation

Preselecting the speed

You can preselect the required speed using the speed preselection thumbwheel (20), even during operation.

1-2	low speed
3-4	medium speed
5-6	high speed

The values shown in the table are guide values. The required speed is dependent on the material and the work conditions and can be determined by practical trials.

Material	Router bit diameter [mm]	Thumbwheel position
Hardwood (beech)	4-10	5-6
	12-20	3-4
	22-40	1-2

Material	Router bit diameter [mm]	Thumbwheel position
Softwood (pine)	4-10	5-6
	12-20	3-6
	22-40	1-3
Chipboard	4-10	3-6
	12-20	2-4
	22-40	1-3
Plastics	4-15	2-3
	16-40	1-2
Aluminium	4-15	1-2
	16-40	1

Switching On and Off

Before switching on/off, set the required routing depth.

To **switch on** the power tool, **first** press the lock button (1), then press and hold the on/off switch (19).

Press the lock button (1) again to **lock** the on/off switch (19).

To **switch off**, release the on/off switch (19). If the on/off switch (19) is locked with the lock button (1), briefly press the on/off switch (19) and then release it.

Constant electronic control

The Constant Electronic keeps the speed at no load and under load virtually consistent, guaranteeing uniform performance.

Setting the routing depth (see figure D)

The routing depth must only be set while the power tool is switched off.

To set the rough routing depth, proceed as follows:

- Place the power tool with a fitted router bit onto the workpiece you want to machine.
- Set the step buffer (9) to the lowest step; the step buffer audibly clicks into place.
- Loosen the wing bolt on the depth stop (11) so that the depth stop (13) moves freely.
- Push the clamping lever for locking the routing depth (16) in direction ➊ and slowly move the router down until the router bit (18) is touching the surface of the workpiece. Release the clamping lever for locking the routing depth (16) again to lock this depth. If necessary, push the clamping lever for locking the routing depth (16) in direction ➋ to fully lock it.
- Press the depth stop (13) down until it is resting on the step buffer (9). Set the slide with the index mark (12) to position 0 on the routing depth scale (14).
- Set the depth stop (13) to the required routing depth and tighten the wing bolt on the depth stop (11). Take care not to accidentally move the index mark (12).
- Push the clamping lever for locking the routing depth (16) in direction ➊ and move the router to the highest position.

For larger routing depths, you should perform the cut in several phases, so that only a small amount of material is re-

moved after each cut. You can use the step buffer (9) to divide the routing process into several steps. To do this, set the required routing depth with the smallest step of the step buffer and, for the first cutting phases, select the higher steps to start with.

Working Advice

- ▶ **Protect router bits against shock and impact.**
- ▶ **Pull the plug out of the socket before carrying out any work on the power tool.**

Routing direction and routing process (see figure E)

- ▶ **Routing must always be carried out with the workpiece being moved against the direction in which the router bit (18) is turning (up cut).** If the workpiece is moved in the same direction as the router bit is turning (down cut), the power tool may be pulled out of your hands.

Set the required routing depth.

Place the power tool with a fitted router bit onto the workpiece you want to machine and switch on the power tool. Push the clamping lever for locking the routing depth (16) down and slowly move the router down until it reaches the set routing depth. Release the clamping lever for locking the routing depth (16) again to lock this depth. If necessary, push the clamping lever for routing depth stop (16) up to fully lock it.

Carry out the routing process with a uniform feed.

When routing is complete, move the router back to the highest position.

Switch the power tool off.

Routing with an auxiliary guide (see figure F)

For machining large workpieces, e.g. when routing grooves, you can fasten a board or straight edge securely to the workpiece as an auxiliary guide. The router can be guided along the path of this auxiliary guide. Move the router on the flattened side of the guide plate along the auxiliary guide.

Edge or profile routing

For edge and profile routing without a parallel guide, the router bit must be fitted with a pilot pin or a ball bearing. While it is switched on, guide the power tool towards the workpiece from the side until the pilot pin or the ball bearing of the router bit is touching the side of the workpiece edge that you want to machine.

Guide the power tool along the workpiece edge. Pay attention that the router is positioned perpendicularly. Too much pressure can damage the edge of the workpiece.

Routing with a parallel guide (see figures G-H)

Slide the parallel guide (27) with the guide rods (26) into the base plate (6) and tighten it with the wing bolts (4) according to the required dimension.

While it is switched on, guide the power tool along the workpiece edge with a uniform feed and while applying lateral pressure to the parallel guide.

Routing curves (see figures I-J)

Turn the parallel guide (27) so that the guide surface is visible on top.

Slide the parallel guide (27) with the guide rods (26) into the base plate (6) and tighten it with the wing bolts (4) according to the required dimension.

Fit the centring pin (28) with the wing bolt (29) through the hole on the parallel guide (27).

Push the centring pin (28) into the marked centre point of the curve and carry out the routing process with a uniform feed.

Routing with the curve guide (see figures K-L)

Slide the parallel guide (27) with the guide rods (26) into the base plate (6) and tighten it with the wing bolts (4) according to the required dimension.

Fit the curve guide with guide roller attached (30) through the hole on the parallel guide (27).

Guide the power tool along the workpiece edge, applying light pressure to the sides.

Routing with a router compass (see figure M)

You can use the router compass/guide rail adapter (31) for circular routing work. Fit the router compass as shown in the figure.

Screw the centring screw (36) into the thread of the router compass. Position the tip of the screw in the centre point of the curve you want to rout; make sure the tip of the screw reaches the surface of the workpiece.

Roughly set the required radius by moving the router compass and tightening the wing bolts (33) and (34).

Then loosen the wing bolt (34) and use the knob (35) to fine-adjust the length. One revolution corresponds to an adjustment range of 2.0 mm. Each of the graduation marks on the knob (35) changes the adjustment range by 0.1 mm.

Switch the power tool on and move it over the workpiece using the right handle (2) and the handle for the router compass (32).

Routing with a guide rail (see figure N)

You can use the guide rail (37) to rout in straight lines.

To level out the height difference, you must fit the spacer plate (38).

Fit the router compass/guide rail adapter (31) as shown in the figure.

Fasten the guide rail (37) to the workpiece using suitable clamping devices, e.g. screw clamps. Put the power tool with mounted guide rail adapter (31) on the guide rail.

Routing with the guide bushing (see figures O-P)

Using the guide bushing (39), you can transfer contours from templates or patterns to the workpiece.

Select the guide bushing that is suitable for the thickness of the template or pattern. Due to the protruding height of the guide bushing, the template must have a minimum thickness of 8 mm.

Move the release lever (17) and push the guide bushing (39) into the base plate (6) from below. The coding

cams must audibly click into the recesses of the guide bushing.

► **Select a router bit with a diameter that is smaller than the interior diameter of the guide bushing.**

To rout with the guide bushing (39), proceed as follows:

- Switch the power tool on and move it with the guide bushing towards the template.
- Push the clamping lever for locking the routing depth (16) down and slowly move the router down until it reaches the set routing depth. Release the clamping lever for locking the routing depth (16) again to lock this depth. If necessary, push the clamping lever for locking the routing depth (16) up to fully lock it.
- Move the power tool with the protruding guide bushing along the template, applying pressure to the sides.

Maintenance and Service

Maintenance and Cleaning

- **Pull the plug out of the socket before carrying out any work on the power tool.**
- **To ensure safe and efficient operation, always keep the power tool and the ventilation slots clean.**
- **In extreme conditions, always use a dust extractor if possible. Clean ventilation slots frequently using a brush and install a residual current device (RCD) upstream.** When machining metals, conductive dust can settle inside the power tool, which can affect its protective insulation.

In order to avoid safety hazards, if the power supply cord needs to be replaced, this must be done by **Bosch** or by an after-sales service centre that is authorised to repair **Bosch** power tools.

After-Sales Service and Application Service

Our after-sales service responds to your questions concerning maintenance and repair of your product as well as spare parts. You can find explosion drawings and information on spare parts at: www.bosch-pt.com

The Bosch product use advice team will be happy to help you with any questions about our products and their accessories.

In all correspondence and spare parts orders, please always include the 10-digit article number given on the nameplate of the product.

Malaysia

Robert Bosch Sdn. Bhd. (220975-V) PT/SMY
No. 8A, Jalan 13/6
46200 Petaling Jaya
Selangor
Tel.: (03) 79663194
Toll-Free: 1800 880188
Fax: (03) 79583838
E-Mail: kiathoe.chong@my.bosch.com
www.bosch-pt.com.my

You can find further service addresses at:

www.bosch-pt.com/serviceaddresses

Disposal

The power tool, accessories and packaging should be recycled in an environmentally friendly manner.



Do not dispose of power tools along with household waste.

Français

Consignes de sécurité

Avertissements de sécurité généraux pour l'outil électrique

AVERTISSEMENT Lire tous les avertissements de sécurité, les instructions, les illustrations et les spécifications fournies avec cet outil électrique.

Ne pas suivre les instructions énumérées ci-dessous peut provoquer un choc électrique, un incendie et/ou une blessure sérieuse.

Conservation de tous les avertissements et de toutes les instructions pour pouvoir s'y reporter ultérieurement.

Le terme "outil électrique" dans les avertissements fait référence à votre outil électrique alimenté par le secteur (avec cordon d'alimentation) ou votre outil électrique fonctionnant sur batterie (sans cordon d'alimentation).

Sécurité de la zone de travail

► Conserver la zone de travail propre et bien éclairée.

Les zones en désordre ou sombres sont propices aux accidents.

► Ne pas faire fonctionner les outils électriques en atmosphère explosive, par exemple en présence de liquides inflammables, de gaz ou de poussières.

Les outils électriques produisent des étincelles qui peuvent enflammer les poussières ou les fumées.

► Maintenir les enfants et les personnes présentes à l'écart pendant l'utilisation de l'outil électrique.

Les distractions peuvent vous faire perdre le contrôle de l'outil.

Sécurité électrique

► Il faut que les fiches de l'outil électrique soient adaptées au socle. Ne jamais modifier la fiche de quelque façon que ce soit. Ne pas utiliser d'adaptateurs avec des outils électriques à branchement de terre.

Des fiches non modifiées et des socles adaptés réduisent le risque de choc électrique.

► Éviter tout contact du corps avec des surfaces reliées à la terre telles que les tuyaux, les radiateurs, les cui-

sinières et les réfrigérateurs. Il existe un risque accru de choc électrique si votre corps est relié à la terre.

- ▶ **Ne pas exposer les outils électriques à la pluie ou à des conditions humides.** La pénétration d'eau à l'intérieur d'un outil électrique augmente le risque de choc électrique.
- ▶ **Ne pas maltraiter le cordon. Ne jamais utiliser le cordon pour porter, tirer ou débrancher l'outil électrique. Maintenir le cordon à l'écart de la chaleur, du lubrifiant, des arêtes vives ou des parties en mouvement.** Des cordons endommagés ou emmêlés augmentent le risque de choc électrique.
- ▶ **Lorsqu'on utilise un outil électrique à l'extérieur, utiliser un prolongateur adapté à l'utilisation extérieure.** L'utilisation d'un cordon adapté à l'utilisation extérieure réduit le risque de choc électrique.
- ▶ **Si l'usage d'un outil électrique dans un emplacement humide est inévitable, utiliser une alimentation protégée par un dispositif à courant différentiel résiduel (RCD).** L'usage d'un RCD réduit le risque de choc électrique.

Sécurité des personnes

- ▶ **Rester vigilant, regarder ce que vous êtes en train de faire et faire preuve de bon sens dans votre utilisation de l'outil électrique. Ne pas utiliser un outil électrique lorsque vous êtes fatigué ou sous l'emprise de drogues, de l'alcool ou de médicaments.** Un moment d'inattention en cours d'utilisation d'un outil électrique peut entraîner des blessures graves.
- ▶ **Utiliser un équipement de protection individuelle. Toujours porter une protection pour les yeux.** Les équipements de protection individuelle tels que les masques contre les poussières, les chaussures de sécurité antidérapantes, les casques ou les protections auditives utilisés pour les conditions appropriées réduisent les blessures.
- ▶ **Éviter tout démarrage intempestif. S'assurer que l'interrupteur est en position arrêt avant de brancher l'outil au secteur et/ou au bloc de batteries, de le ramasser ou de le porter.** Porter les outils électriques en ayant le doigt sur l'interrupteur ou brancher des outils électriques dont l'interrupteur est en position marche est source d'accidents.
- ▶ **Retirer toute clé de réglage avant de mettre l'outil électrique en marche.** Une clé laissée fixée sur une partie tournante de l'outil électrique peut donner lieu à des blessures.
- ▶ **Ne pas se précipiter. Garder une position et un équilibre adaptés à tout moment.** Cela permet un meilleur contrôle de l'outil électrique dans des situations inattendues.
- ▶ **S'habiller de manière adaptée. Ne pas porter de vêtements amples ou de bijoux. Garder les cheveux et les vêtements à distance des parties en mouvement.** Des vêtements amples, des bijoux ou les cheveux longs peuvent être pris dans des parties en mouvement.

- ▶ **Si des dispositifs sont fournis pour le raccordement d'équipements pour l'extraction et la récupération des poussières, s'assurer qu'ils sont connectés et correctement utilisés.** Utiliser des collecteurs de poussière peut réduire les risques dus aux poussières.
- ▶ **Rester vigilant et ne pas négliger les principes de sécurité de l'outil sous prétexte que vous avez l'habitude de l'utiliser.** Une fraction de seconde d'inattention peut provoquer une blessure grave.

Utilisation et entretien de l'outil électrique

- ▶ **Ne pas forcer l'outil électrique. Utiliser l'outil électrique adapté à votre application.** L'outil électrique adapté réalise mieux le travail et de manière plus sûre au régime pour lequel il a été construit.
- ▶ **Ne pas utiliser l'outil électrique si l'interrupteur ne permet pas de passer de l'état de marche à arrêt et inversement.** Tout outil électrique qui ne peut pas être commandé par l'interrupteur est dangereux et il faut le réparer.
- ▶ **Débrancher la fiche de la source d'alimentation et/ou enlever le bloc de batteries, s'il est amovible, avant tout réglage, changement d'accessoires ou avant de ranger l'outil électrique.** De telles mesures de sécurité préventives réduisent le risque de démarrage accidentel de l'outil électrique.
- ▶ **Conserver les outils électriques à l'arrêt hors de la portée des enfants et ne pas permettre à des personnes ne connaissant pas l'outil électrique ou les présentes instructions de le faire fonctionner.** Les outils électriques sont dangereux entre les mains d'utilisateurs novices.
- ▶ **Observer la maintenance des outils électriques et des accessoires. Vérifier qu'il n'y a pas de mauvais alignement ou de blocage des parties mobiles, des pièces cassées ou toute autre condition pouvant affecter le fonctionnement de l'outil électrique. En cas de dommages, faire réparer l'outil électrique avant de l'utiliser.** De nombreux accidents sont dus à des outils électriques mal entretenus.
- ▶ **Garder affûtés et propres les outils permettant de couper.** Des outils destinés à couper correctement entretenus avec des pièces coupantes tranchantes sont moins susceptibles de bloquer et sont plus faciles à contrôler.
- ▶ **Utiliser l'outil électrique, les accessoires et les lames etc., conformément à ces instructions, en tenant compte des conditions de travail et du travail à réaliser.** L'utilisation de l'outil électrique pour des opérations différentes de celles prévues peut donner lieu à des situations dangereuses.
- ▶ **Il faut que les poignées et les surfaces de préhension restent sèches, propres et dépourvues d'huiles et de graisses.** Des poignées et des surfaces de préhension glissantes rendent impossibles la manipulation et le contrôle en toute sécurité de l'outil dans les situations inattendues.

Maintenance et entretien

- ▶ **Faire entretenir l'outil électrique par un réparateur qualifié utilisant uniquement des pièces de rechange identiques.** Cela assure le maintien de la sécurité de l'outil électrique.

Consignes de sécurité pour défonceuses

- ▶ **Tenir l'outil électrique uniquement par les surfaces de préhension isolantes, car la fraise peut être en contact avec son propre câble.** Le fait de couper un fil "sous tension" peut également mettre "sous tension" les parties métalliques exposées de l'outil électrique et provoquer un choc électrique sur l'opérateur.
- ▶ **Utiliser des pinces ou autre moyen pratique de fixer et soutenir la pièce à usiner à la plate-forme stable.** Le fait de tenir la pièce de travail avec la main ou contre son corps le rend instable et peut entraîner une perte de contrôle.
- ▶ **La vitesse maximale admissible de la fraise doit être au moins égale à la vitesse maximale indiquée sur l'outil électroportatif.** Les fraises qui tournent plus vite que leur vitesse maximale admissible risquent de se rompre et de voler en éclat.
- ▶ **Les fraises et autres accessoires doivent être conçus pour le porte-outil (pince de serrage) de votre outil électroportatif.** Les outils qui ne correspondent pas exactement au porte-outil de l'outil électroportatif, tournent de façon irrégulière, génèrent de fortes vibrations et peuvent entraîner une perte de contrôle.
- ▶ **N'approchez l'outil électroportatif de la pièce à scier qu'après l'avoir mis en marche.** Il y a sinon risque de rebond au cas où la lame resterait coincée dans la pièce.
- ▶ **N'approchez pas vos mains de la zone de fraisage et de la fraise. Tenez la poignée supplémentaire avec l'autre main.** Si vous tenez la défonceuse avec les deux mains, la fraise ne pourra pas vous blesser.
- ▶ **Ne fraisez jamais des pièces métalliques, clous ou vis.** La fraise pourrait être endommagée et se mettre à vibrer fortement.
- ▶ **Utilisez un détecteur approprié pour vérifier s'il n'y a pas de conduites cachées ou contactez votre société de distribution d'eau locale.** Tout contact avec des câbles électriques peut provoquer un incendie ou un choc électrique. Tout endommagement d'une conduite de gaz peut provoquer une explosion. La perforation d'une conduite d'eau provoque des dégâts matériels et peut provoquer un choc électrique.
- ▶ **N'utilisez pas de fraises émoussées ou endommagées.** Les fraises émoussées ou endommagées provoquent une friction trop élevée, elles peuvent rester coincées et déséquilibrer la défonceuse.
- ▶ **Avant de poser l'outil électroportatif, attendez que celui-ci soit complètement à l'arrêt.** L'outil risque de se coincer, ce qui entraînerait une perte de contrôle de l'outil électroportatif.

- ▶ **Lors du travail, tenez fermement l'outil électroportatif des deux mains et veillez à toujours garder une position de travail stable.** Avec les deux mains, l'outil électroportatif est guidé en toute sécurité.

Description des prestations et du produit



Lisez attentivement toutes les instructions et consignes de sécurité. Le non-respect des instructions et consignes de sécurité peut provoquer un choc électrique, un incendie et/ou entraîner de graves blessures.

Référez-vous aux illustrations qui se trouvent à l'avant de la notice d'utilisation.

Utilisation conforme

Équipé d'un support stable, l'outil électroportatif est conçu pour le fraisage de rainures, bords, profils et trous oblongs ainsi que pour le fraisage par copiage dans le bois, les plastiques et les matériaux de construction légers.

Avec une vitesse de rotation réduite et avec des fraises appropriées, il est également possible d'utiliser l'outil pour des métaux non ferreux.

Éléments constitutifs

La numérotation des éléments de l'appareil se réfère à la représentation de l'outil électroportatif sur la page graphique.

- (1) Bouton de blocage de l'interrupteur Marche/Arrêt
- (2) Poignée de droite (surface de préhension isolante)
- (3) Bouton de blocage de broche
- (4) Vis papillon des tiges de guidage de butée parallèle (2x)
- (5) Pare-éclats
- (6) Base
- (7) Plaque d'assise
- (8) Logement pour barres de guidage de la butée parallèle
- (9) Butée de niveau
- (10) Manchon de protection
- (11) Vis papillon pour réglage de la butée de profondeur
- (12) Curseur avec index
- (13) Butée de profondeur
- (14) Échelle graduée de réglage de la profondeur de fraisage
- (15) Poignée de gauche (surface de préhension isolante)
- (16) Levier de serrage du blocage de profondeur de fraisage
- (17) Levier de déverrouillage de la bague de copiage
- (18) Fraise^{a)}
- (19) Interrupteur Marche/Arrêt
- (20) Molette de présélection de vitesse

- (21) Écrou-raccord avec pince de serrage
- (22) Clé plate (19 mm)
- (23) Flexible d'aspiration (Ø 35 mm)^{a)}
- (24) Adaptateur d'aspiration
- (25) Vis moletée d'adaptateur d'aspiration (2x)
- (26) Barre de guidage de la butée parallèle (2x)
- (27) Butée parallèle
- (28) Pointe de centrage^{a)}
- (29) Vis papillon de la pointe de centrage^{a)}
- (30) Butée pour formes courbes^{a)}
- (31) Compas de fraisage/adaptateur de rail de guidage^{a)}
- (32) Bouton de préhension de compas de fraisage^{a)}
- (33) Vis papillon pour réglage grossier du compas de fraisage (2x)^{a)}
- (34) Vis papillon pour réglage micrométrique du compas de fraisage (1x)^{a)}
- (35) Bouton rotatif pour réglage micrométrique du compas de fraisage^{a)}
- (36) Vis de centrage^{a)}
- (37) Rail de guidage^{a)}
- (38) Plateau d'écartement (inclus dans le set « Compas de fraisage »)
- (39) Bague de copiage

a) **Les accessoires décrits ou illustrés ne sont pas tous compris dans la fourniture. Vous trouverez les accessoires complets dans notre gamme d'accessoires.**

Caractéristiques techniques

Défonceuse		GOF 130
Référence		3 601 FB7 0..
Puissance absorbée nominale	W	1300
Régime à vide	tr/min	11000–28000
Présélection de vitesse de rotation		●
Constante électronique		●
Tubulure d'aspiration de poussières		●
Pincettes de serrage compatibles	mm pouce	6/8 ¼
Course du berceau	mm	55
Poids selon EPTA-Procedure 01:2014	kg	3,5
Indice de protection		□/II

Les données indiquées sont valables pour une tension nominale [U] de 230 V. Elles peuvent varier lorsque la tension diffère de cette valeur et sur certaines versions destinées à certains pays.

Montage

- **Débranchez le câble d'alimentation de la prise avant d'effectuer des travaux quels qu'il soient sur l'outil électroportatif.**

Mise en place de la fraise (voir figure A)

- **Il est recommandé de porter des gants de protection pour le montage et le changement des fraises.**

De nombreuses fraises, de versions et de qualités différentes, sont disponibles pour de multiples applications.

Les fraises en acier rapide (HSS) sont destinées aux matériaux tendres tels que le bois tendre ou les matières plastiques.

Les fraises munies de taillants en carbure sont spécialement conçues pour les matériaux durs et abrasifs tels que le bois dur et l'aluminium.

Vous trouverez toutes les fraises Bosch de la gamme étendue d'accessoires Bosch auprès de votre revendeur spécialisé.

N'utilisez que des fraises en parfait état et propres.

- Rabattez le pare-éclats (5) vers le bas.
- Appuyez sur le bouton de blocage de broche (3) et maintenez-le enfoncé. Tournez si nécessaire la broche du moteur à la main jusqu'à ce qu'elle se bloque.
- Desserrez l'écrou-raccord (21) à l'aide de la clé plate (22) (19 mm) en tournant dans le sens ①.
- Insérez la fraise dans la pince de serrage. La queue de la fraise doit être introduite dans la pince de serrage d'au moins 20 mm.
- Serrez l'écrou-raccord (21) à l'aide de la clé plate (22) (19 mm) en tournant dans le sens ②. Relâchez le bouton de blocage de broche (3).
- Rabattez le pare-éclats (5) vers le haut.

- **N'utilisez pas de fraises d'un diamètre supérieur à 50 mm sans bague de copiage.** Ces fraises ne passent pas au travers de la base.

- **Ne serrez en aucun cas la pince de serrage avec l'écrou-raccord tant qu'aucune fraise n'est montée.** La pince de serrage risque sinon d'être endommagée.

Aspiration de poussières/de copeaux

Les poussières de matériaux tels que peintures contenant du plomb, certains bois, minéraux ou métaux, peuvent être nuisibles à la santé. Le contact avec les poussières ou leur inhalation peut entraîner des réactions allergiques et/ou des maladies respiratoires auprès de l'utilisateur ou des personnes se trouvant à proximité.

Certaines poussières telles que les poussières de chêne ou de hêtre sont considérées comme cancérigènes, surtout en association avec des additifs pour le traitement du bois (chromate, lasure). Les matériaux contenant de l'amiante ne doivent être travaillés que par des personnes qualifiées.

- Si possible, utilisez un dispositif d'aspiration des poussières approprié au matériau.
- Veillez à bien aérer la zone de travail.
- Il est recommandé de porter un masque respiratoire avec un niveau de filtration de classe P2.

Respectez les règlements spécifiques aux matériaux à traiter en vigueur dans votre pays.

- **Évitez toute accumulation de poussières sur le lieu de travail.** Les poussières peuvent facilement s'enflammer.

Montage de l'adaptateur d'aspiration

L'adaptateur d'aspiration (24) peut être monté avec le raccord de flexible vers l'avant ou l'arrière. Pour un montage avec raccord de flexible à l'avant, enlevez d'abord le pare-éclats (5). Fixez l'adaptateur d'aspiration (24) sur la base (6) avec les 2 vis moletées (25).

Nettoyez l'adaptateur d'aspiration (24) à intervalles réguliers pour garantir une bonne aspiration des poussières.

Raccordement à un aspirateur (voir figure B)

Raccordez un flexible d'aspiration (Ø 35 mm) (23) (accessoire) à l'adaptateur d'aspiration. Raccordez l'autre extrémité du flexible d'aspiration (23) à un aspirateur (accessoire). Cet outil électroportatif peut être branché directement sur la prise d'un aspirateur universel **Bosch** avec automatisme de commande à distance. L'aspirateur se met automatiquement en marche en même temps que l'outil électroportatif. L'aspirateur doit être conçu pour le type de matériau à aspirer.

Pour l'aspiration de poussières particulièrement nocives, cancérigènes ou sèches, utilisez un aspirateur spécial.

Montage du pare-éclats (voir figure C)

Insérez le pare-éclats (5) par l'avant dans le guidage de façon à ce qu'il s'encliquette. Pour l'enlever, saisissez le pare-éclats latéralement et retirez-le vers l'avant.

Utilisation

- **Tenez compte de la tension du réseau ! La tension de la source de courant doit correspondre aux indications se trouvant sur la plaque signalétique de l'outil électroportatif. Les outils électroportatifs marqués 230 V peuvent également fonctionner sur 220 V.**

Mise en marche

Présélection de la vitesse de rotation

La molette de présélection de vitesse (20) permet de présélectionner la vitesse de rotation requise, même en cours de fonctionnement.

1-2	vitesse lente
3-4	vitesse moyenne
5-6	vitesse élevée

Les valeurs indiquées dans le tableau sont des valeurs indicatives. La vitesse de rotation nécessaire dépend du type de matériau et des conditions de travail. Elle doit être déterminée en effectuant des essais.

Matériau	Diamètre de la fraise [mm]	Position molette de sélection
Bois dur (hêtre)	4-10	5-6
	12-20	3-4
	22-40	1-2

Matériau	Diamètre de la fraise [mm]	Position molette de sélection
Bois tendre (pin)	4-10	5-6
	12-20	3-6
	22-40	1-3
Panneaux agglomérés	4-10	3-6
	12-20	2-4
	22-40	1-3
Plastiques	4-15	2-3
	16-40	1-2
Aluminium	4-15	1-2
	16-40	1

Mise en marche/arrêt

Réglez la profondeur de fraisage souhaitée avant de mettre en marche/arrêter l'outil.

Pour **démarrer** l'outil électroportatif, appuyez **d'abord** sur le bouton de blocage (1) puis sur l'interrupteur Marche/Arrêt (19) et maintenez-le enfoncé.

Pour **bloquer** l'interrupteur marche/arrêt (19), appuyez à nouveau sur le bouton de blocage (1).

Pour **arrêter** l'outil électroportatif, relâchez l'interrupteur Marche/Arrêt (19). Si vous avez bloqué l'interrupteur Marche/Arrêt (19) avec le bouton de blocage (1), appuyez brièvement sur l'interrupteur Marche/Arrêt (19) et relâchez-le.

Constante électronique

La constante électronique permet de maintenir presque constante la vitesse de rotation en marche à vide et en charge, et assure ainsi une performance régulière.

Réglage de la profondeur de fraisage (voir figure D)

Ne procédez au réglage de la profondeur de fraisage que quand l'outil électroportatif est à l'arrêt.

Pour le réglage grossier de la profondeur de fraisage, procédez comme suit :

- Posez l'outil électroportatif muni de la fraise voulue sur la pièce à fraiser.
- Mettez la butée de niveau (9) sur la position la plus basse ; la butée de niveau s'enclenche de façon perceptible.
- Desserrez le vis papillon de la butée de profondeur (11) jusqu'à ce que la butée de profondeur (13) puisse bouger librement.
- Poussez le levier de serrage du blocage de profondeur de fraisage (16) dans le sens ① et abaissez lentement la défonceuse jusqu'à ce que la fraise (18) entre en contact avec la pièce. Relâchez le levier de serrage du blocage de profondeur de fraisage (16) pour fixer cette profondeur de plongée. Poussez le levier de serrage (16) dans le sens ② pour le bloquer définitivement.
- Poussez la butée de profondeur (13) vers le bas jusqu'à ce qu'elle touche la butée de niveau (9). Placez le curseur

- avec index **(12)** sur la position **0** de l'échelle graduée de profondeur de fraiseage **(14)**.
- Réglez la butée de profondeur **(13)** sur la profondeur de fraiseage souhaitée et serrez la vis papillon de butée de profondeur **(11)**. Veillez à ne plus déplacer le curseur avec index **(12)**.
- Poussez le levier de serrage du blocage de profondeur de fraiseage **(16)** dans le sens **➤** et placez la défonceuse dans la position la plus haute.

Pour les profondeurs de fraiseage importantes, il est recommandé d'effectuer plusieurs passes successives avec, à chaque fois, un plus faible enlèvement de matière. La butée de niveau **(9)** permet de répartir le fraiseage en plusieurs étapes. Réglez pour cela la profondeur de fraiseage souhaitée avec le niveau le plus bas de la butée de niveau et sélectionnez pour les premières passes les niveaux les plus élevés.

Instructions d'utilisation

- ▶ **Protégez les fraises contre les chocs et les coups.**
- ▶ **Débranchez le câble d'alimentation de la prise avant d'effectuer des travaux quels qu'il soient sur l'outil électroportatif.**

Sens de fraiseage et processus de fraiseage (voir figure E)

- ▶ **Toujours déplacer l'outil électroportatif dans le sens opposé au sens de rotation de la fraise (18) (fraiseage en opposition).** En cas de fraiseage dans le sens de rotation de la fraise (fraiseage en avalant), l'outil électroportatif peut être arraché de votre main.

Réglez la profondeur de fraiseage souhaitée.

Posez l'outil électroportatif muni de la fraise voulue sur la pièce et mettez-le en marche.

Poussez le levier de serrage du blocage de profondeur de fraiseage **(16)** vers le bas et guidez la défonceuse lentement vers le bas jusqu'à ce que la profondeur de fraiseage pré-réglée soit atteinte. Relâchez le levier de serrage du blocage de profondeur de fraiseage **(16)** pour fixer cette profondeur de plongée. Poussez le levier de serrage **(16)** vers le haut pour le bloquer définitivement.

Effectuez l'opération de fraiseage avec une vitesse d'avance constante.

Une fois le fraiseage terminé, ramenez la défonceuse dans la position la plus haute.

Arrêtez l'outil électroportatif.

Fraiseage avec butée auxiliaire (voir figure F)

Pour le fraiseage de pièces de grandes dimensions (réalisation de rainures p. ex.), il est possible de fixer sur la pièce une planche ou un liteau de bois en guise de butée auxiliaire et de guider la défonceuse multifonctions le long de la butée auxiliaire. Guidez la défonceuse le long de la butée auxiliaire avec le côté plat de la plaque d'assise.

Fraiseage de bords ou de profilés

Pour fraiser des bords ou des profilés sans butée parallèle, la fraise doit être munie d'un tourillon de guidage ou d'un roulement à billes.

Approchez par le côté l'outil électroportatif en marche de la pièce à fraiser, jusqu'à ce que le tourillon ou le roulement à billes de la fraise touche le bord de la pièce.

Déplacez l'outil électroportatif le long du bord de la pièce. Veillez à une position d'appui angulaire correcte. Une pression trop importante risque d'endommager le bord de la pièce.

Fraiseage avec butée parallèle (voir figures G–H)

Faites coulisser les barres de guidage **(26)** de la butée parallèle **(27)** dans la base **(6)** et bloquez la butée parallèle à la cote souhaitée avec les vis **(4)**.

Guidez l'outil électroportatif en marche le long du bord de la pièce avec une vitesse d'avance constante, en exerçant une pression latérale sur la butée parallèle.

Fraiseage d'arcs de cercle (voir figures I–J)

Retournez la butée parallèle **(27)** de façon à ce que les surfaces d'appui soient orientées vers le haut.

Faites coulisser les barres de guidage **(26)** de la butée parallèle **(27)** dans la base **(6)** et bloquez la butée parallèle à la cote souhaitée avec les vis **(4)**.

Fixez avec la vis papillon **(29)** la pointe de centrage **(28)** dans l'alésage de la butée parallèle **(27)**.

Piquez la pointe de centrage **(28)** au centre marqué du cercle et effectuez le fraiseage avec une vitesse d'avance régulière.

Fraiseage avec la butée pour formes courbes (voir figures K–L)

Faites coulisser les barres de guidage **(26)** de la butée parallèle **(27)** dans la base **(6)** et bloquez la butée parallèle à la cote souhaitée avec les vis **(4)**.

Fixez avec les vis la butée pour formes courbes munie du galet de guidage **(30)** dans les alésages de la butée parallèle **(27)**.

Guidez l'outil électroportatif le long du bord de la pièce en exerçant une légère pression sur le côté.

Fraiseage avec compas de fraiseage (voir figure M)

Pour effectuer des fraiseages circulaires, utilisez le compas de fraiseage/l'adaptateur de rail de guidage **(31)**. Montez le compas de fraiseage comme représenté sur la figure.

Vissez la vis de centrage **(36)** dans le trou taraudé du compas de fraiseage. Positionnez la pointe de la vis au centre de l'arc de cercle à fraiser, en veillant à ce qu'elle pénètre quelque peu dans la surface de la pièce.

Réglez grossièrement le rayon souhaité en déplaçant le compas de fraiseage puis serrez fermement les vis papillon **(33)** et **(34)**.

Le bouton rotatif **(35)** permet un réglage précis de la longueur après avoir desserré la vis papillon **(34)**. Un tour correspond à un déplacement de 2,0 mm ; une graduation du bouton rotatif **(35)** correspond à un déplacement de 0,1 mm.

Guidez l'outil électroportatif en marche sur la pièce en le saisissant par la poignée droite **(2)** et le bouton de préhension **(32)** du compas de fraiseage.

Fraisage avec rail de guidage (voir figure N)

Le rail de guidage (37) permet d'effectuer des coupes rectilignes.

Pour compenser la différence de hauteur, utilisez le plateau d'écartement (38).

Montez le compas de fraisage/l'adaptateur de rail de guidage (31) comme représenté sur la figure.

Fixez le rail de guidage (37) à la pièce au moyen de dispositifs de serrage appropriés, par ex. au moyen de serre-joints. Positionnez l'outil électroportatif avec l'adaptateur de rail de guidage (31) sur le rail de guidage.

Fraisage avec bague de copiage (voir figures O-P)

La bague de copiage (39) permet de reproduire des contours de modèles ou de gabarits sur des pièces.

Sélectionnez la bague de copiage adaptée à l'épaisseur du gabarit ou du modèle. Étant donné que la bague de copiage dépasse, l'épaisseur du gabarit doit être au moins de 8 mm.

Actionnez le levier de déverrouillage (17) et insérez la bague de copiage (39) par le bas dans la base (6). Les cames de codage doivent s'encliqueter de manière perceptible dans les encoches de la bague de copiage.

► Choisissez un diamètre de fraise inférieur au diamètre intérieur de la bague de copiage.

Pour fraiser avec la bague de copiage (39), procédez comme suit :

- Positionnez l'outil électroportatif en marche avec la bague de copiage contre le gabarit.
- Poussez le levier de serrage du blocage de profondeur de fraisage (16) vers le bas et guidez la défonceuse lentement vers le bas jusqu'à ce que la profondeur de fraisage préréglée soit atteinte. Relâchez le levier de serrage (16) pour fixer cette profondeur de plongée. Poussez le levier de serrage (16) vers le haut pour le bloquer définitivement.
- Guidez l'outil électroportatif, avec la bague de copiage en saillie, le long du gabarit en exerçant une pression latérale.

Entretien et Service après-vente**Nettoyage et entretien**

- **Débranchez le câble d'alimentation de la prise avant d'effectuer des travaux quels qu'il soient sur l'outil électroportatif.**
- **Tenez toujours propres l'outil électroportatif ainsi que les fentes de ventilation afin d'obtenir un travail impeccable et sûr.**
- **Dans la mesure du possible, utilisez toujours un dispositif d'aspiration quand les conditions de travail sont extrêmes. Nettoyez fréquemment les fentes de ventilation avec un pinceau et placez un disjoncteur différentiel (PRCD) en amont.** Lors du travail des métaux, il est possible que des poussières métalliques conductrices se déposent à l'intérieur de l'outil. La double isolation de l'outil électroportatif risque alors d'être endommagée.

Dans le cas où il s'avère nécessaire de remplacer le câble d'alimentation, confiez le remplacement à **Bosch** ou une station de Service Après-Vente agréée pour outillage **Bosch** afin de ne pas compromettre la sécurité.

Service après-vente et conseil utilisateurs

Notre Service après-vente répond à vos questions concernant la réparation et l'entretien de votre produit et les pièces de rechange. Vous trouverez des vues éclatées et des informations sur les pièces de rechange sur le site : **www.bosch-pt.com**

L'équipe de conseil utilisateurs Bosch se tient à votre disposition pour répondre à vos questions concernant nos produits et leurs accessoires.

Pour toute demande de renseignement ou toute commande de pièces de rechange, précisez impérativement la référence à 10 chiffres figurant sur l'étiquette signalétique du produit.

Maroc

Robert Bosch Morocco SARL
53, Rue Lieutenant Mahroud Mohamed
20300 Casablanca
Tel.: +212 5 29 31 43 27
E-Mail : sav.outillage@ma.bosch.com

Vous trouvez d'autres adresses du service après-vente sous :

www.bosch-pt.com/serviceaddresses

Élimination des déchets

Les outils électroportatifs, ainsi que leurs accessoires et emballages, doivent pouvoir suivre chacun une voie de recyclage appropriée.



Ne jetez pas les outils électroportatifs avec les ordures ménagères !

Portugais**Instruções de segurança****Instruções gerais de segurança para ferramentas eléctricas****▲ AVISO**

Devem ser lidas todas as indicações de segurança, instruções, ilustrações e especificações desta ferramenta eléctrica. O desrespeito das instruções apresentadas abaixo poderá resultar em choque eléctrico, incêndio e/ou ferimentos graves.

Guarde bem todas as advertências e instruções para futura referência.

O termo "ferramenta eléctrica" utilizado a seguir nas indicações de advertência, refere-se a ferramentas

eléctricas operadas com corrente de rede (com cabo de rede) e a ferramentas eléctricas operadas com acumulador (sem cabo de rede).

Segurança da área de trabalho

- ▶ **Mantenha a sua área de trabalho sempre limpa e bem iluminada.** Desordem ou áreas de trabalho insuficientemente iluminadas podem levar a acidentes.
- ▶ **Não trabalhar com a ferramenta eléctrica em áreas com risco de explosão, nas quais se encontrem líquidos, gases ou pós inflamáveis.** Ferramentas eléctricas produzem faíscas, que podem inflamar pós ou vapores.
- ▶ **Manter crianças e outras pessoas afastadas da ferramenta eléctrica durante a utilização.** No caso de distração é possível que perca o controlo sobre o aparelho.

Segurança eléctrica

- ▶ **A ficha de conexão da ferramenta eléctrica deve caber na tomada. A ficha não deve ser modificada de maneira alguma. Não utilizar uma ficha de adaptação junto com ferramentas eléctricas protegidas por ligação à terra.** Fichas não modificadas e tomadas apropriadas reduzem o risco de um choque eléctrico.
- ▶ **Evitar que o corpo possa entrar em contacto com superfícies ligadas à terra, como tubos, aquecimentos, fogões e frigoríficos.** Há um risco elevado devido a um choque eléctrico, se o corpo estiver ligado à terra.
- ▶ **Manter o aparelho afastado de chuva ou humidade.** A infiltração de água numa ferramenta eléctrica aumenta o risco de choque eléctrico.
- ▶ **Não deverá utilizar o cabo para outras finalidades. Nunca utilizar o cabo para transportar a ferramenta eléctrica, para pendurá-la, nem para puxar a ficha da tomada. Manter o cabo afastado do calor, do óleo, de arestas afiadas ou de peças em movimento.** Cabos danificados ou emaranhados aumentam o risco de um choque eléctrico.
- ▶ **Se trabalhar com uma ferramenta eléctrica ao ar livre, só deverá utilizar cabos de extensão apropriados para áreas exteriores.** A utilização de um cabo de extensão apropriado para áreas exteriores reduz o risco de um choque eléctrico.
- ▶ **Se não for possível evitar o funcionamento da ferramenta eléctrica em áreas húmidas, deverá ser utilizado um disjuntor de corrente de avaria.** A utilização de um disjuntor de corrente de avaria reduz o risco de um choque eléctrico.

Segurança de pessoas

- ▶ **Esteja atento, observe o que está a fazer e tenha prudência ao trabalhar com a ferramenta eléctrica. Não utilizar uma ferramenta eléctrica quando estiver fatigado ou sob a influência de drogas, álcool ou medicamentos.** Um momento de descuido ao utilizar a ferramenta eléctrica, pode levar a lesões graves.

- ▶ **Utilizar equipamento de protecção individual. Utilizar sempre óculos de protecção.** A utilização de equipamento de protecção pessoal, como máscara de protecção contra pó, sapatos de segurança antiderrapantes, capacete de segurança ou protecção auricular, de acordo com o tipo e aplicação da ferramenta eléctrica, reduz o risco de lesões.
- ▶ **Evitar uma colocação em funcionamento involuntária. Assegure-se de que a ferramenta esteja desligada, antes de conectá-la à alimentação de rede e/ou ao acumulador, antes de levantá-la ou de transportá-la.** Se tiver o dedo no interruptor ao transportar a ferramenta eléctrica ou se o aparelho for conectado à alimentação de rede enquanto estiver ligado, poderão ocorrer acidentes.
- ▶ **Remover ferramentas de ajuste ou chaves de boca antes de ligar a ferramenta eléctrica.** Uma ferramenta ou chave que se encontre numa parte do aparelho em movimento pode levar a lesões.
- ▶ **Evite uma posição anormal. Mantenha uma posição firme e mantenha sempre o equilíbrio.** Desta forma é mais fácil controlar a ferramenta eléctrica em situações inesperadas.
- ▶ **Usar roupa apropriada. Não usar roupa larga nem jóias. Mantenha os cabelos e roupas afastados de peças em movimento.** Roupas frouxas, cabelos longos ou jóias podem ser agarrados por peças em movimento.
- ▶ **Se for possível montar dispositivos de aspiração ou de recolha, assegure-se de que estejam conectados e utilizados correctamente.** A utilização de uma aspiração de pó pode reduzir o perigo devido ao pó.
- ▶ **Não deixe que a familiaridade resultante de uma utilização frequente de ferramentas permita que você se torne complacente e ignore os princípios de segurança da ferramenta.** Uma acção descuidada pode causar ferimentos graves numa fracção de segundo.

Utilização e manuseio cuidadoso de ferramentas eléctricas

- ▶ **Não sobrecarregue a ferramenta eléctrica. Utilize a ferramenta eléctrica apropriada para o seu trabalho.** É melhor e mais seguro trabalhar com a ferramenta eléctrica apropriada na área de potência indicada.
- ▶ **Não utilizar uma ferramenta eléctrica com um interruptor defeituoso.** Uma ferramenta eléctrica que não pode mais ser ligada nem desligada, é perigosa e deve ser reparada.
- ▶ **Puxar a ficha da tomada e/ou remover o acumulador, se amovível, antes de executar ajustes na ferramenta eléctrica, de substituir acessórios ou de guardar as ferramentas eléctricas.** Esta medida de segurança evita o arranque involuntário da ferramenta eléctrica.
- ▶ **Guardar ferramentas eléctricas não utilizadas fora do alcance de crianças e não permitir que as pessoas que não estejam familiarizadas com o aparelho ou que não tenham lido estas instruções utilizem o aparelho.**

Ferramentas eléctricas são perigosas se forem utilizadas por pessoas inexperientes.

- ▶ **Tratar a ferramenta eléctrica e os acessórios com cuidado. Controlar se as partes móveis do aparelho funcionam perfeitamente e não emperram, e se há peças quebradas ou danificadas que possam prejudicar o funcionamento da ferramenta eléctrica. Permitir que peças danificadas sejam reparadas antes da utilização.** Muitos acidentes têm como causa, a manutenção insuficiente de ferramentas eléctricas.
- ▶ **Manter as ferramentas de corte afiadas e limpas.** Ferramentas de corte cuidadosamente tratadas e com cantos de corte afiados emperram com menos frequência e podem ser conduzidas com maior facilidade.
- ▶ **Utilizar a ferramenta eléctrica, acessórios, ferramentas de aplicação, etc. conforme estas instruções. Considerar as condições de trabalho e a tarefa a ser executada.** A utilização de ferramentas eléctricas para outras tarefas a não ser as aplicações previstas, pode levar a situações perigosas.
- ▶ **Mantenha os punhos e as superfícies de agarrar secas, limpas e livres de óleo e massa consistente.** Punhos e superfícies de agarrar escorregadias não permitem o manuseio e controle seguros da ferramenta em situações inesperadas.

Serviço

- ▶ **Só permita que o seu aparelho seja reparado por pessoal especializado e qualificado e só com peças de reposição originais.** Desta forma é assegurado o funcionamento seguro do aparelho.

Instruções de segurança para tulpas

- ▶ **Segure a ferramenta eléctrica somente nas superfícies de agarrar isoladas, uma vez que o cortador pode entrar em contacto com o seu próprio cabo.** O corte de um fio "sob tensão" irá colocar as partes metálicas expostas da ferramenta eléctrica "sob tensão" e pode dar um choque eléctrico ao operador.
- ▶ **Use grampos ou outra forma prática para fixar e suportar a peça numa plataforma estável.** Segurar a peça com a mão ou contra o seu corpo deixa-a instável e pode levar à perda de controlo.
- ▶ **O número de rotações admissível da fresa deve ser no mínimo tão alto quanto o número de rotações máximo indicado na ferramenta eléctrica.** As fresas que rodam mais depressa do que o admissível podem quebrar e ser projetadas.
- ▶ **Fresas ou outros acessórios devem caber exatamente no encabadouro da ferramenta (pinça de aperto) da sua ferramenta eléctrica.** Ferramentas acopláveis, que não cabem exatamente no encabadouro da ferramenta eléctrica, giram irregularmente, vibram fortemente e podem levar à perda de controlo.
- ▶ **Só conduzir a ferramenta eléctrica no sentido da peça a ser trabalhada quando estiver ligada.** Caso contrário há

risco de um contragolpe, se a ferramenta de aplicação se engancha na peça a ser trabalhada.

- ▶ **Não coloque as mãos na área de fresagem nem na fresa. Segure o punho adicional com a outra mão.** Se ambas as mãos estiverem a segurar a fresadora, não poderão ser feridas pela ferramenta de fresagem.
- ▶ **Nunca passe a fresa por cima de objetos de metal, pregos ou parafusos.** A fresa pode ficar danificada e fazer aumentar as vibrações.
- ▶ **Utilizar detetores apropriados, para encontrar cabos escondidos, ou consulte a companhia eléctrica local.** O contacto com cabos eléctricos pode provocar fogo e choques eléctricos. Danos em tubos de gás podem levar à explosão. A penetração num cano de água causa danos materiais ou pode provocar um choque eléctrico.
- ▶ **Não utilize fresas embotadas ou danificadas.** Fresas embotadas ou danificadas causam elevada fricção, podem emperrar e levar a desequilíbrio.
- ▶ **Espere que a ferramenta eléctrica pare completamente, antes de depositá-la.** A ferramenta de aplicação pode emperrar e levar à perda de controlo sobre a ferramenta eléctrica.
- ▶ **Durante o trabalho, segure a ferramenta eléctrica com as duas mãos e providencie uma estabilidade segura.** A ferramenta eléctrica é conduzida com maior segurança com ambas as mãos.

Descrição do produto e do serviço



Leia todas as instruções de segurança e instruções. A inobservância das instruções de segurança e das instruções pode causar choque eléctrico, incêndio e/ou ferimentos graves.

Respeite as figuras na parte da frente do manual de instruções.

Utilização adequada

A ferramenta eléctrica destina-se a fresar e a fresar por cópia, numa base fixa, ranhuras, arestas, perfis e furos oblongos em madeira, plástico e materiais leves.

Com um de número de rotações reduzido e com as fresas correspondentes também podem ser trabalhados metais não ferrosos.

Componentes ilustrados

A numeração dos componentes ilustrados refere-se à apresentação da ferramenta eléctrica na página de esquemas.

- (1) Botão de bloqueio para interruptor de ligar/desligar
- (2) Punho direito (superfície isolada)
- (3) Tecla de bloqueio do veio
- (4) Parafuso de orelhas para barras de guia para guia paralela (2x)
- (5) Protecção contra aparas

- (6) Placa de base
- (7) Placa deslizante
- (8) Encaixe para barras de guia para guia paralela
- (9) Limitador escalonado
- (10) Manga de proteção
- (11) Parafuso de orelhas para ajuste do limitador de profundidade
- (12) Corrediça com marca de indexação
- (13) Batente de profundidade
- (14) Escala de ajuste da profundidade de fresagem
- (15) Punho esquerdo (superfície isolada)
- (16) Alavanca tensora para travamento da profundidade de fresagem
- (17) Alavanca de destravamento para a manga de copiar
- (18) Fresa^{a)}
- (19) Interruptor de ligar/desligar
- (20) Roda da pré-seleção da velocidade de rotação
- (21) Porca de capa com pinça de aperto
- (22) Chave de bocas (19 mm)
- (23) Mangueira de aspiração (Ø 35 mm)^{a)}
- (24) Adaptador de aspiração
- (25) Parafuso serrilhado para adaptador de aspiração (2x)
- (26) Barra de guia da guia paralela (2x)
- (27) Guia paralela
- (28) Cavilha de centrar^{a)}
- (29) Parafuso de orelhas para cavilha de centrar^{a)}
- (30) Batente para curvas^{a)}
- (31) Compasso de fresar/adaptador para calha de guia^{a)}
- (32) Punho para compasso de fresar^{a)}
- (33) Parafuso de orelhas para ajuste grosseiro do compasso de fresar (2x)^{a)}
- (34) Parafuso de orelhas para ajuste de precisão do compasso de fresar (1x)^{a)}
- (35) Botão rotativo para ajuste de precisão do compasso de fresar^{a)}
- (36) Parafuso de centrar^{a)}
- (37) Calha de guia^{a)}
- (38) Placa distanciadora (contida no conjunto "compasso de fresar")
- (39) Manga de copiar

a) **Acessórios apresentados ou descritos não pertencem ao volume de fornecimento padrão. Todos os acessórios encontram-se no nosso programa de acessórios.**

Dados técnicos

Tupia	GOF 130	
Número de produto		3 601 FB7 0..
Potência nominal absorvida	W	1300
N.º de rotações em vazio	r.p.m.	11000–28000

Tupia	GOF 130	
Pré-seleção da velocidade de rotação		●
Constant Electronic		●
Ligação para aspiração de pó		●
Pinças de aperto compatíveis	mm polegadas	6/8 ¼
Curso do cesto de fresar	mm	55
Peso conforme EPTA-Procedure 01:2014	kg	3,5
Classe de proteção		□/II

Os dados aplicam-se a uma tensão nominal [U] de 230 V. Com tensões divergentes e em versões específicas do país, estes dados podem variar.

Montagem

- **Antes de todos trabalhos na ferramenta elétrica deverá puxar a ficha de rede da tomada.**

Introduzir fresa (ver figura A)

- **Para colocar e trocar as fresas, é recomendado utilizar luvas de proteção.**

Dependendo da aplicação, estão disponíveis ferramentas de fresagem de diversos modelos e qualidades.

As fresas de aço de corte rápido de alto rendimento (HSS) são adequadas para o processamento de materiais macios, como p. ex., madeira macia e plástico.

Fresas com gumes de metal duro (HM) são especialmente indicadas para materiais abrasivos e duros, como p. ex. madeira dura e alumínio.

Ferramentas de fresagem originais do vasto programa de acessórios Bosch podem ser adquiridas através do seu revendedor especializado.

Só utilizar ferramentas de fresagem limpas e em perfeitas condições.

- Vire a proteção contra aparas **(5)** para baixo.
- Prima e mantenha premida a tecla de bloqueio do veio **(3)**. Se necessário, rode o veio do motor à mão até ficar bloqueado.
- Solte a porca de capa **(21)** com a chave de bocas **(22)** (tamanho 19 mm) rodando no sentido de rotação **⌚**.
- Introduza a fresa na pinça de aperto. A haste da fresa deve ser introduzida, no mínimo 20 mm, na pinça de aperto.
- Aperte a porca de capa **(21)** com a chave de bocas **(22)** (tamanho 19 mm) rodando no sentido de rotação **⌚**. Solte a tecla de bloqueio do veio **(3)**.
- Vire a proteção contra aparas **(5)** para cima.

- **Sem a manga de copiar montada, não insira fresas com um diâmetro superior a 50 mm.** Estas fresas não passam através da placa de base.

- **Nunca apertar a pinça de aperto com a porca de capa, enquanto não estiver montada uma fresa.** Caso contrário, pode danificar a pinça de aperto.

Aspiração de pó/de aparas

Pós de materiais como por exemplo, tintas que contém chumbo, alguns tipos de madeira, minerais e metais, podem ser nocivos à saúde. O contacto ou a inalação dos pós pode provocar reações alérgicas e/ou doenças nas vias respiratórias do utilizador ou das pessoas que se encontrem por perto.

Certos pós, como por exemplo pó de carvalho e faia são considerados como sendo cancerígenos, especialmente quando juntos com substâncias para o tratamento de madeiras (cromato, produtos de proteção da madeira). Material que contém asbesto só deve ser processado por pessoal especializado.

- Se possível deverá usar um dispositivo de aspiração de pó apropriado para o material.
- Assegurar uma boa ventilação do local de trabalho.
- É recomendável usar uma máscara de proteção respiratória com filtro da classe P2.

Observe as diretrizes para os materiais a serem processados, vigentes no seu país.

- **Evite a acumulação de pó no local de trabalho.** Pós podem entrar levemente em ignição.

Montar o adaptador de aspiração

O adaptador de aspiração (24) pode ser montado com a união de mangueira para a frente ou para trás. No caso de montagem com a união de mangueira na frente, é necessário retirar previamente a proteção contra aparas (5). Fixe o adaptador de aspiração (24) com os 2 parafusos serrilhados (25) na placa de base (6).

Para assegurar uma aspiração otimizada, é necessário que o adaptador de aspiração (24) seja limpo em intervalos regulares.

Ligar a aspiração de pó (ver figura B)

Inserir uma mangueira de aspiração (Ø 35 mm) (23) (acessório) no adaptador de aspiração montado. Ligue a mangueira de aspiração (23) a um aspirador (acessório).

A ferramenta elétrica pode ser ligada diretamente a uma tomada de um aspirador universal **Bosch** com dispositivo de arranque remoto. Este é iniciado automaticamente quando se liga a ferramenta elétrica.

O aspirador de pó deve ser apropriado para o material a ser trabalhado.

Utilize um aspirador especial para aspirar pó que seja extremamente nocivo à saúde, cancerígeno ou seco.

Montar a proteção contra aparas (ver figura C)

Coloque a proteção contra aparas (5) pela frente na guia de forma a engatar. Para retirar segure lateralmente na proteção contra aparas e retire-a para a frente.

Funcionamento

- **Observar a tensão de rede! A tensão da fonte de corrente elétrica deve coincidir com os dados que constam na placa de características da ferramenta elétrica. Ferramentas elétricas marcadas para 230 V também podem ser operadas com 220 V.**

Colocação em funcionamento

Pré-selecionar o número de rotações

Com a roda de ajuste para pré-seleção do número de rotação (20) pode pré-selecionar o número de rotações necessário mesmo durante a operação.

1-2	Número de rotações baixo
3-4	Número de rotações médio
5-6	Número de rotações elevado

Os valores representados na tabela são valores de referência. O número de rotações necessário depende do material e das condições de trabalho e pode ser determinado por tentativas.

Material	Diâmetro da fresa [mm]	Posição da roda de ajuste
Madeira de lei (Faia)	4-10	5-6
	12-20	3-4
	22-40	1-2
Madeira branca (Pinheiro)	4-10	5-6
	12-20	3-6
	22-40	1-3
Placas de aglomerado de madeira	4-10	3-6
	12-20	2-4
	22-40	1-3
Plásticos	4-15	2-3
	16-40	1-2
Alumínio	4-15	1-2
	16-40	1

Ligar/desligar

Antes de ligar/desligar, ajuste a profundidade de fresagem. Para **ligar** a ferramenta elétrica, prima **primeiro** o botão de bloqueio (1), e a seguir o interruptor de ligar/desligar (19) e mantenha-o premido.

Para **fixar** o interruptor de ligar/desligar (19) prima novamente o botão de bloqueio (1).

Para **desligar** solte o interruptor de ligar/desligar (19). Se com o botão de bloqueio (1) tiver fixado o interruptor de ligar/desligar (19), prima brevemente o interruptor de ligar/desligar (19) e depois solte-o.

Constant-electronic

A Constant-Electronic mantém o número de rotações durante a marcha em vazio e sob carga quase que constante e assegura um desempenho de trabalho uniforme.

Ajustar profundidade de fresagem (ver figura D)

O ajuste da profundidade de fresagem só pode ser feito com a ferramenta elétrica desligada.

Para o ajuste aproximado, proceda da seguinte maneira:

- Colocar a ferramenta elétrica com a fresa montada sobre a peça a ser trabalhada.
- Ajuste o limitador escalonado (9) para o nível mais baixo; o limitador escalonado engata de forma perceptível.
- Solte o parafuso de orelhas no batente de profundidade (11), de modo a que o batente de profundidade (13) se mova livremente.
- Prima a alavanca tensora para o travamento da profundidade de fresagem (16) no sentido de rotação ① e desloque a tupa lentamente para baixo, até que fresa (18) toque na superfície da peça. Solte novamente a alavanca tensora para o travamento da profundidade de fresagem (16), para fixar esta profundidade de imersão. Se necessário, pressione a alavanca tensora para o travamento da profundidade de fresagem (16) no sentido de rotação ②, para a fixar definitivamente.
- Pressione o batente de profundidade (13) para baixo, até que assente sobre o limitador escalonado (9). Coloque a correição com a marca de indexação (12) na posição 0 da escala de profundidades de fresagem (14).
- Coloque o batente de profundidade (13) na profundidade de fresagem desejada e aperte o parafuso de orelhas no batente de profundidade (11). Certifique-se de que a correição com a marca de indexação (12) não é reajustada.
- Pressione a alavanca tensora para o travamento da profundidade de fresagem (16) no sentido de rotação ① e desloque a tupa para a posição superior.

No caso de profundidades de fresagem maiores, deve efetuar vários passos de processamento com respetivamente menos remoção de aparas. Com a ajuda do limitador escalonado (9) pode dividir a operação de fresagem em vários níveis. Para tal ajuste a profundidade de fresagem desejada para o nível mais baixo do limitador escalonado e selecione para os primeiros passos de processamento níveis mais altos no início.

Instruções de trabalho

- ▶ **Proteger as fresas contra golpes e pancadas.**
- ▶ **Antes de todos trabalhos na ferramenta elétrica deverá puxar a ficha de rede da tomada.**

Sentido e processo de fresagem (ver figura E)

- ▶ **A fresagem deve ocorrer sempre no sentido oposto ao da rotação da fresa (18) (sentido contrário).** Se fresar no mesmo sentido da fresa (sentido igual) a ferramenta elétrica pode fugir-lhe da mão.

Ajuste a profundidade de fresagem.

Coloque a ferramenta elétrica com a fresa montada sobre a peça a ser trabalhada e ligue a ferramenta elétrica.

Pressione a alavanca tensora para o travamento da profundidade de fresagem (16) para baixo e desloque a tupa lentamente para baixo, até que a profundidade de fresagem ajustada seja alcançada. Solte novamente a alavanca tensora para o travamento da profundidade de fresagem (16), para fixar esta profundidade de imersão. Se

necessário, pressione a alavanca tensora para o travamento da profundidade de fresagem (16) para cima, para a fixar definitivamente.

Realizar o processo de fresagem com avanço uniforme.

Após terminar o processo de fresagem, deverá conduzir a tupa de volta para a posição mais alta.

Desligue a ferramenta elétrica.

Fresar com encosto auxiliar (ver figura F)

Para processar grandes peças, como por exemplo ao fresar ranhuras, é possível fixar uma tábua ou uma ripa à peça a ser trabalhada, como limitador auxiliar e conduzir a tupa ao longo do limitador auxiliar. Conduza a tupa no lado achatado da placa deslizante ao longo do limitador auxiliar.

Fresar arestas ou formas

Ao fresar arestas ou formas sem limitador paralelo, é necessário que a ferramenta de fresagem esteja equipada com um espigão de guia ou com um rolamento de esferas.

Aproximar a ferramenta elétrica ligada lateralmente da peça, até o espigão de guia ou o rolamento de esferas da fresa assentar na aresta da peça a ser trabalhada.

Conduzir a ferramenta elétrica ao longo da aresta da peça. Assegurar um apoio no ângulo correto. Uma pressão demasiado alta pode danificar a aresta da peça.

Fresar com guia paralela (ver figuras G–H)

Introduza o limitador paralelo (27) com as barras de guia (26) na placa de base (6) e aperte-o com os parafusos (4) de acordo com a medida necessária.

Conduzir a ferramenta elétrica ligada com avanço uniforme e pressão lateral ao longo da guia paralela na aresta da peça.

Fresar arcos (ver figuras I–J)

Rode a guia paralela (27), de forma a que as áreas de encosto apontem para cima.

Introduza o limitador paralelo (27) com as barras de guia (26) na placa de base (6) e aperte-o com os parafusos (4) de acordo com a medida necessária.

Fixe a cavilha de centrar (28) com o parafuso de orelhas (29) através do furo na guia paralela (27).

Insira a cavilha de centrar (28) no ponto central marcado do arco e efetue a operação de fresagem com um avanço uniforme.

Fresar com o batente para curvas (ver figuras K–L)

Introduza o limitador paralelo (27) com as barras de guia (26) na placa de base (6) e aperte-o com os parafusos (4) de acordo com a medida necessária.

Fixe o batente para curvas com o rolete de guia (30) montado através do furo na guia paralela (27).

Desloque a ferramenta elétrica ao longo da aresta da peça com uma ligeira pressão lateral.

Fresar com compasso de fresar (ver figura M)

Para trabalhos de fresagem circulares pode usar o compasso de fresar/adaptador para calha de guia (31). Montar o compasso de fresar como indicado na figura.

Enrosque o parafuso de centrar **(36)** na rosca no compasso de fresar. Coloque a ponta do parafuso no centro do arco a fresar, certifique-se de que a ponta do parafuso alcança a superfície do material.

Ajuste grosseiramente o raio desejado, deslocando o compasso de fresar e aperte os parafusos de orelhas **(33)** e **(34)**.

Com o botão rotativo **(35)** depois de soltar o parafuso de orelhas **(34)** pode ajustar de forma precisa o comprimento. Uma volta corresponde a um curso de deslocamento de 2,0 mm, uma das marcas de divisão no botão rotativo **(35)** corresponde a uma alteração do curso de deslocamento de aprox. 0,1 mm.

Desloque a ferramenta elétrica ligada com o punho direito **(2)** e o punho para o compasso de fresar **(32)** sobre a peça.

Fresar com calha de guia (ver figura N)

Com a ajuda da calha de guia **(37)** pode efetuar passos de trabalho em linha reta.

Para compensar a diferença de altura, tem de montar a placa distanciadora **(38)**.

Monte o compasso de fresar/adaptador para calha de guia **(31)** como indicado na figura.

Fixe a calha de guia **(37)** à peça com dispositivos de aperto apropriados, p. ex. grampos. Coloque a ferramenta elétrica com adaptador para calha de guia **(31)** montado na calha de guia.

Fresar com manga de copiar (ver figuras O–P)

Com a ajuda da manga de copiar **(39)** é possível transferir contornos de modelos ou escantilhões para as peças.

Selecionar a manga de copiar em função da espessura do escantilhão ou da peça. Devido à altura saliente da manga de copiar, o escantilhão tem de ter uma espessura mínima de 8 mm.

Desloque a alavanca de destravamento **(17)** e coloque a manga de copiar **(39)** por baixo na placa de base **(6)**. Os cames de codificação têm de encaixar de forma perceptível nos entalhes da manga de copiar.

► Escolha uma fresa com um diâmetro inferior ao diâmetro interno da manga de copiar.

Para fresar com a manga de copiar **(39)**, proceder da seguinte forma:

- Aproxime a ferramenta elétrica com a manga de copiar ao escantilhão.
- Pressione a alavanca tensora para travamento da profundidade de fresagem **(16)** para baixo e conduza a tupia lentamente para baixo, até ser alcançada a profundidade de fresagem ajustada. Volte a soltar a alavanca tensora para travamento da profundidade de fresagem **(16)** para fixar esta profundidade de imersão. Se necessário, pressione a alavanca tensora para travamento da profundidade de fresagem **(16)** para cima, para a fixar definitivamente.

- Conduza a ferramenta elétrica com a manga de copiar saliente, pressionando lateralmente, ao longo do escantilhão.

Manutenção e assistência técnica

Manutenção e limpeza

- **Antes de todos trabalhos na ferramenta elétrica deverá puxar a ficha de rede da tomada.**
- **Manter a ferramenta elétrica e as aberturas de ventilação sempre limpas, para trabalhar bem e de forma segura.**
- **Em condições de utilização extremas utilize sempre, se possível, um sistema de aspiração. Limpe frequentemente as aberturas de ventilação com um pincel e interconecte um disjuntor de corrente de avaria (PRCD).** Durante o processamento de metais é possível que se deposite pó condutivo no interior da ferramenta elétrica. Isto pode prejudicar o isolamento de proteção da ferramenta elétrica.

Se for necessário instalar um cabo de ligação, a instalação deve ser feita pela **Bosch** ou por um centro de serviço autorizado para ferramentas elétricas **Bosch**, para evitar perigos de segurança.

Serviço pós-venda e aconselhamento

O serviço pós-venda responde às suas perguntas a respeito de serviços de reparação e de manutenção do seu produto, assim como das peças sobressalentes. Desenhos explodidos e informações acerca das peças sobressalentes também em: www.bosch-pt.com

A nossa equipa de consultores Bosch esclarece com prazer todas as suas dúvidas a respeito dos nossos produtos e acessórios.

Indique para todas as questões e encomendas de peças sobressalentes a referência de 10 dígitos de acordo com a placa de características do produto.

Brasil

Robert Bosch Ltda. – Divisão de Ferramentas Elétricas
Rodovia Anhanguera, Km 98 - Parque Via Norte
13065-900, CP 1195
Campinas, São Paulo
Tel.: 0800 7045 446
www.bosch.com.br/contato

Encontra outros endereços da assistência técnica em:

www.bosch-pt.com/serviceaddresses

Eliminação

Ferramentas elétricas, acessórios e embalagens devem ser enviados a uma reciclagem ecológica de matérias-primas.



Não deitar ferramentas elétricas no lixo doméstico!

中文

安全规章

电动工具通用安全警告

警告！ 阅读所有警告和所有说明！不遵照以下警告和说明会导致电击、着火和 / 或严重伤害。

保存所有警告和说明书以备查阅。

在所有下列的警告中术语“电动工具”指市电驱动（有线）电动工具或电池驱动（无线）电动工具。

工作场地的安全

- ▶ 保持工作场地清洁和明亮。混乱和黑暗的场地会引发事故。
- ▶ 不要在易爆环境，如有易燃液体、气体或粉尘的环境下操作电动工具。电动工具产生的火花会点燃粉尘或气体。
- ▶ 让儿童和旁观者离开后操作电动工具。注意力不集中会使操作者失去对工具的控制。

电气安全

- ▶ 电动工具插头必须与插座相配。绝不能以任何方式改装插头。需接地的电动工具不能使用任何转换插头。未经改装的插头和相配的插座将减少电击危险。
- ▶ 避免人体接触接地表面，如管道、散热片和冰箱。如果你身体接地会增加电击危险。
- ▶ 不得将电动工具暴露在雨中或潮湿环境中。水进入电动工具将增加电击危险。
- ▶ 不得滥用电线。绝不能用电线搬运、拉动电动工具或拔出其插头。使电线远离热源、油、锐边或运动部件。受损或缠绕的软线会增加电击危险。
- ▶ 当在户外使用电动工具时，使用适合户外使用的外接软线。适合户外使用的软线将减少电击危险。
- ▶ 如果在潮湿环境下操作电动工具是不可避免的，应使用剩余电流动作保护器（RCD）。使用RCD可减小电击危险。

人身安全

- ▶ 保持警觉，当操作电动工具时关注所从事的操作并保持清醒。当你感到疲倦，或在有药物、酒精或治疗反应时，不要操作电动工具。在操作电动工具时瞬间的疏忽会导致严重人身伤害。
- ▶ 使用个人防护装置。始终佩戴护目镜。安全装置，诸如适当条件下使用防尘面具、防滑安全鞋、安全帽、听力防护等装置能减少人身伤害。
- ▶ 防止意外起动。确保开关在连接电源和/或电池盒、拿起或搬运工具时处于关断位置。手指放在已接通电源的开关上或开关处于接通时插入插头可能会导致危险。
- ▶ 在电动工具接通之前，拿掉所有调节钥匙或扳手。遗留在电动工具旋转零件上的扳手或钥匙会导致人身伤害。

- ▶ 手不要伸展得太长。时刻注意立足点和身体平衡。这样在意外情况下能很好地控制电动工具。
- ▶ 着装适当。不要穿宽松衣服或佩戴饰品。让衣服、手套和头发远离运动部件。宽松衣服、配饰或长发可能会卷入运动部件中。
- ▶ 如果提供了与排屑、集尘设备连接用的装置，要确保他们连接完好且使用得当。使用这些装置可减少尘屑引起的危险。
- ▶ 即使由于经常使用电动工具而对此非常熟悉，也不要就认为可以高枕无忧而忽略工具的安全规定。粗心大意的行为可能在瞬间就造成严重的伤害。

电动工具使用和注意事项

- ▶ 不要滥用电动工具，根据用途使用适当的电动工具。选用适当设计的电动工具会使你工作更有效、更安全。
- ▶ 如果开关不能接通或关断工具电源，则不能使用该电动工具。不能用开关来控制的电动工具是危险的且必须进行修理。
- ▶ 在进行任何调节、更换附件或贮存电动工具之前，必须从电源上拔掉插头和/或使电池盒与工具脱开。这种防护性措施将减少工具意外起动的危险。
- ▶ 将闲置不用的电动工具贮存在儿童所及范围之外，并且不要让不熟悉电动工具或对这些说明不了解的人操作电动工具。电动工具在未经培训的用户手中是危险的。
- ▶ 保养电动工具。检查运动件是否调整到位或卡住，检查零件破损情况和影响电动工具运行的其他状况。如有损坏，电动工具应在使用前修理好。许多事故由维护不良的电动工具引发。
- ▶ 保持切削刀具锋利和清洁。保养良好的有锋利切削刃的刀具不易卡住而且容易控制。
- ▶ 按照使用说明书，考虑作业条件和进行的作业来使用电动工具、附件和工具的刀头等。将电动工具用于那些与其用途不符的操作可能会导致危险。
- ▶ 保持手柄和握持表面干燥、清洁、无油污。在突发情况下，滑溜的手柄和握持表面无法确保安全地握持和控制工具。

维修

- ▶ 将你的电动工具送交专业维修人员，使用同样的备件进行修理。这样将确保所维修的电动工具的安全性。

修边雕刻机安全规章

- ▶ 要握住电动工具的绝缘握持面，因为铣刀可能会碰到自带的电源线。切割“带电”导线，可能会使电动工具外露的金属部件“带电”，并使操作员触电。
- ▶ 使用夹箍或其他实用方式将加工件固定和支承到一个稳定的平台上。用手握住或用身体顶住加工件会导致不稳定，从而引起失控。
- ▶ 铣刀的允许转速必须至少等于电动工具上标出的最高转速。如果铣刀转速比允许的转速更快，铣刀可能会折断和飞出。

- ▶ **铣刀或其他附件必须与您的电动工具的夹头（夹钳）精准配合。** 如果切削附件未与电动工具的夹头精准配合，切削附件会旋转不均匀、剧烈震动并可能导致失控。
- ▶ **先开动电动工具后再把工具放置在工件上切割。** 如果电动工具被夹在工件中，会有反弹的危险。
- ▶ **切勿将手伸入铣割范围或放在铣机上。用另一只手支撑住辅助手柄。** 使用双手操作雕刻机，便不会被铣刀割伤。
- ▶ **铣割时，铣刀不可以接触金属、钉子或螺丝。** 如此会损坏铣刀，而且会造成强烈震动。
- ▶ **使用合适的侦测装置侦察隐藏的电线，或者向当地的相关单位寻求支援。** 接触电线可能引起火灾并让操作者触电。损坏了瓦斯管会引起爆炸。凿穿水管不仅会造成严重的财物损失，也可能导致触电。
- ▶ **不得使用已经变钝或受损的铣刀。** 变钝或受损的铣刀导致摩擦力增大，可能会卡住或失去平衡。
- ▶ **等待电动工具完全静止后才能够放下机器。** 机器上的工具可能在工作中被夹住，而令您无法控制电动工具。
- ▶ **工作时要使用双手握紧电动工具并确保站稳。** 使用双手才能够稳定地操作电动工具。

产品和性能说明



请阅读所有安全规章和指示。不遵照以下警告和说明可能导致电击、着火和/或严重伤害。

请注意本使用说明书开头部分的图示。

按照规定使用

本电动工具适合在木材、塑料和轻型建筑材料上进行修边、铣槽、雕刻、铣长孔以及仿形雕刻的工作。操作时机器必须紧贴在工件表面。

如果降低转速并且使用合适的铣刀也可以加工非铁金属。

插图上的机件

机件的编号和电动工具详解图上的编号一致。

- (1) 电源开关的锁定按钮
- (2) 右侧手柄（绝缘握柄）
- (3) 主轴锁定键
- (4) 平行限制器导向杆的翼形螺栓（2个）
- (5) 切屑防护
- (6) 底板
- (7) 滑板
- (8) 平行限制器导向杆定位座
- (9) 档位限制器
- (10) 保护套
- (11) 限深器调节翼形螺栓
- (12) 带索引标记的滑动调节器
- (13) 限深器

- (14) 铣深调节刻度尺
- (15) 左侧手柄（绝缘握柄）
- (16) 铣割深度锁定装置夹紧杆
- (17) 仿形套解锁杆
- (18) 铣刀^{a)}
- (19) 电源开关
- (20) 转速预选调节轮
- (21) 带夹钳的锁紧螺母
- (22) 开口扳手（19 毫米）
- (23) 吸尘软管（直径35 毫米）^{a)}
- (24) 吸尘适配接头
- (25) 吸尘适配接头的滚花螺栓（2个）
- (26) 平行限制器导杆（2个）
- (27) 平行限制器
- (28) 定心销^{a)}
- (29) 定心销翼形螺栓^{a)}
- (30) 弯曲限制器^{a)}
- (31) 铣削规/导轨适配接头^{a)}
- (32) 铣削规手柄^{a)}
- (33) 铣削规粗调翼形螺栓（2个）^{a)}
- (34) 铣削规精调翼形螺栓（1个）^{a)}
- (35) 铣削规精调旋钮^{a)}
- (36) 定心螺栓^{a)}
- (37) 导轨^{a)}
- (38) 隔板（包含在“铣削规”套件中）
- (39) 仿形套

a) 图表或说明上提到的附件，并不包含在基本的供货范围中。本公司的附件清单中有完整的附件供应项目。

技术数据

雕刻机		GOF 130
物品代码		3 601 FB7 0..
额定输入功率	瓦	1300
空载转速	转/分钟	11000-28000
转速预选		●
恒定电子装置		●
吸尘器的接头		●
兼容的夹钳	毫米 英寸	6/8 ¼
铣篮行程	毫米	55
重量符合 EPTA-Procedure 01:2014	千克	3.5
保护等级		□/II

所有参数适用于230伏的额定电压[U]，对于其他不同的电压和国际规格，数据有可能不同。

安装

- ▶ 在电动工具上进行所有操作之前都必须从插座上拔出电源插头。

安装铣刀（参见插图A）

- ▶ 安装和更换铣刀时，最好戴上防护手套。

根据各种用途，本公司提供了不同品质和款式的铣刀。

由高性能高速钢（HSS）制成的铣刀适合加工柔性材料，比如软木和塑料。

由硬质合金（HM）制成的铣刀适合加工硬而耐磨的材料，比如硬木和铝。

您可以向您的专业经销商购买博世附件系列中的各式多样博世原厂铣刀。

只能安装完好且干净的铣刀。

- 翻下切屑防护(5)。
- 按压主轴锁定键(3)并按住。必要时手动旋转电机主轴，直至卡止。
- 朝①方向转动开口扳手(22)（扳手开口度19毫米）来松开锁紧螺母(21)。
- 把铣刀装入夹钳中。铣刀柄必须至少陷入夹钳中20毫米。
- 朝②方向转动开口扳手(22)（扳手开口度19毫米）来拧紧锁紧螺母(21)。松开主轴锁定键(3)。
- 向上翻起切屑防护(5)。
- ▶ 在未安装仿形套的情况下，请不要使用直径大于50毫米的铣刀。此铣刀无法通过底座。
- ▶ 只要还未安装铣刀，就绝不可张紧夹钳和锁紧螺母。否则会损坏夹钳。

抽吸粉尘/切屑

含铅的颜料以及某些木材、矿物和金属的加工废尘有害健康。机器操作者或者工地附近的人如果接触、吸入这些废尘，可能会有过敏反应或者感染呼吸道疾病。

某些尘埃（例如加工橡木或山毛榉的废尘）可能致癌，特别是和处理木材的添加剂（例如木材的防腐剂等）结合之后。只有经过专业训练的人才能够加工含石棉的物料。

- 尽可能使用适合物料的吸尘装置。
- 工作场所要保持空气流通。
- 最好佩戴P2滤网等级的口罩。

请留心并遵守贵国和加工物料有关的法规。

- ▶ 避免让工作场所堆积过多的尘垢。尘埃容易被点燃。

安装吸尘适配接头

吸尘适配接头(24)可以通过软管接头向前或向后安装。使用前部软管接头进行安装时，必须先取下切屑防护(5)。用2个滚花螺栓(25)将吸尘适配接头(24)固定到底板(6)上。

为确保最佳的集尘效果，必须定期清洁吸尘适配接头(24)。

连接吸尘器（见图B）

将吸尘软管（直径35毫米）(23)（附件）插到已安装的吸尘适配接头上。将吸尘软管(23)与吸尘器（附件）连接。

电动工具可直接连接到带远程启动功能的Bosch通用吸尘器的电源插座上。开动电动工具时吸尘器会跟着启动。

根据工件的物料选择合适的吸尘器。

抽吸可能危害健康、可能导致癌症或干燥的废尘时，务必使用特殊的吸尘器。

安装切屑防护（参见插图C）

将切屑防护(5)从前面装入导轨并使其卡止。取下时请抓住切屑防护一侧，并将其向前拉下。

运行

- ▶ 注意电源电压！电源的电压必须和电动工具铭牌上标示的电压一致。标记为230伏电动工具用220伏的电压可以驱动。

投入使用

预选转速

利用转速预选调节轮(20)也可以在运行过程中预选所需的转速。

- 1-2 低转速
- 3-4 中等转速
- 5-6 高转速

表格中的值仅供参考。正确的转速必须视工件材料和工作条件而定，唯有实际操作才能够找出最适合的转速。

工件材料	铣刀直径[毫米]	调节轮的位置
硬木（榉木）	4-10	5-6
	12-20	3-4
	22-40	1-2
软木（松木）	4-10	5-6
	12-20	3-6
	22-40	1-3
刨花板	4-10	3-6
	12-20	2-4
	22-40	1-3
塑料	4-15	2-3
	16-40	1-2
铝	4-15	1-2
	16-40	1

接通/关闭

在接通/关闭前调整铣削深度。

接通电动工具时，首先按压锁定按钮(1)，然后按压电源开关(19)并按住。

如需锁定电源开关(19)，请再次按压锁定按钮(1)。

如要关闭，松开电源开关(19)。如果已通过锁定按钮(1)锁定了电源开关(19)，请短促按压电源开关(19)，然后将其松开。

恒定电子装置

不论机器处在负载或空载状态，恒定电子装置都能够稳定转速，确保一致的工作效率。

调整铣削深度（参见插图D）

关闭电动工具之后才可以调整铣深。

遵循以下的步骤初步调整铣深：

- 把已经装好铣刀的电动工具放在要加工的工件上。
- 将档位限制器(9)调到最低档，可感到档位限制器卡止。
- 松开限深器上的翼形螺栓(11)，以便让限深器(13)可以自由移动。
- 朝①方向按压铣削深度锁定装置夹紧杆(16)，将上铣头缓慢向下拉，直至铣刀(18)接触到工件表面。再次松开铣削深度锁定装置夹紧杆(16)，以便固定该浸入深度。必要时朝②方向按压铣削深度锁定装置夹紧杆(16)，以便将其最终固定。
- 向下按压限深器(13)，直至其套在档位限制器(9)上。将带索引标记的滑动调节器(12)调至铣深刻度尺(14)上的位置0。
- 将限深器(13)调至所需的铣削深度，然后拧紧限深器上的翼形螺栓(11)。注意不要再调节带索引标记的滑动调节器(12)。
- 朝①方向按压铣削深度锁定装置夹紧杆(16)，然后将上铣头拉到最上端的位置。

针对较大的铣削深度，应通过较少的切屑加工进行多次加工过程。您可以借助档位限制器(9)将铣削过程分成多个档位。通过档位限制器的最小档位调节所需铣削深度，首次加工时请先选择最高档位。

工作提示

- ▶ 保护铣刀免受冲撞和敲击。
- ▶ 在电动工具上进行所有操作之前都必须从插座上拔出电源插头。

铣削方向和铣削过程（参见插图E）

- ▶ 必须始终沿铣刀(18)的反方向铣削（逆向运行）。顺着铣刀的转向（同向运作）铣削电动工具可能从您的手上被扯开。

设定所需铣深。

把安装好铣刀的电动工具放在待加工的工件上并开动电动工具。

向下按压铣削深度锁定装置夹紧杆(16)，将上铣头缓慢向下拉，直至达到所设定的铣深。再次松开铣削深度锁定装置夹紧杆(16)，以便固定该浸入深度。必要时向上按压铣削深度锁定装置夹紧杆(16)，以便将其最终固定。

以均匀的进给执行铣削过程。

结束铣削之后要把上铣头拉回到最上端的位置。

关闭电动工具。

用辅助定位装置铣削（见图片F）

加工较大的工件时，例如铣削凹槽时，您可以将木板或木条作为辅助定位装置固定在工件上，然后沿着辅助定位装置移动上铣头。沿着辅助定位装置上的底板磨平面移动上铣头。

修边或雕刻

进行修边或雕刻时如果不使用平行挡块，则必须在铣刀上装配导向榫头或滚珠轴承。

把已经开动的电动工具慢慢地移近工件的边缘，至铣刀上的导向榫头或滚珠轴承接触了工件的边缘为止。

接著沿著工件的边缘推动电动工具，电动工具和工件表面的角度要保持直角，不可倾斜。用力过猛可能会损坏工件的边缘。

用平行限制器铣削（参见插图G-H）

将带导向杆(26)的平行限制器(27)推入底板(6)，然后根据必要的尺寸用翼形螺栓(4)将其固定。

用力均匀地向前推进已经开动的电动工具。必须紧靠着平行限制器，并沿着工件边缘推动电动工具。

铣削圆弧（参见插图I-J）

翻转平行限制器(27)，以便让限制器表面朝上。

将带导向杆(26)的平行限制器(27)推入底板(6)，然后根据必要的尺寸用翼形螺栓(4)将其固定。

用翼形螺栓(29)将定心销(28)穿过平行限制器(27)上的孔来将其固定。

将定心销(28)插入圆弧上所标记的中心点，施力均匀地执行铣削过程。

用弯曲限制器铣削（参见插图K-L）

将带导向杆(26)的平行限制器(27)推入底板(6)，然后根据必要的尺寸用翼形螺栓(4)将其固定。

用已安装的导引轮将弯曲限制器(30)穿过平行限制器(27)上的孔来将其固定。

沿着工件边缘略微从侧边按压并推进电动工具。

用铣削规铣削（见图片M）

针对圆形铣削工作可以使用铣削规/导轨适配接头(31)。参考插图安装铣削规。

将定心螺栓(36)拧入铣削规的螺纹中。将螺纹尾装入带铣削圆弧的中心点，同时注意将螺纹尾卡入工件表面。

通过移动铣削规粗略调节所需的半径，然后拧紧翼形螺栓(33)和(34)。

在松开翼形螺栓(34)后，您可以通过旋钮(35)精调长度。每转动一圈就改变2.0毫米的调节行程，旋钮上的每一个刻度线(35)对应0.1毫米的调节行程变化。

在工件上方移动时请抓住已经开动的电动工具的右侧手柄(2)和铣削规的手柄(32)。

用导轨铣削（见图片N）

您可以借助导轨(37)进行直线加工。

比较高度差异时，您必须安装隔板(38)。

参考插图安装铣削规/导轨适配接头(31)。

用合适的夹紧装置（比如螺旋夹钳）将导轨(37)固定在工件上。用已安装的导轨适配接头(31)将电动工具套在导轨上。

用仿形套铣削（参见插图O-P）

借助仿形套(39)可将样板或模板的轮廓复制到工件上。

根据模具或模板的厚度选择合适的复制套筒。由于仿形衬套凸出在外，所以模板的厚度至少要有8毫米。

移动解锁杆(17)，将仿形套(39)向下装入底板(6)。编码的突起必须正确地陷入仿形衬套上的凹陷中。

▶ 铣刀的直径必须小于仿形套的内直径。

用仿形套(39)铣削时请执行以下操作步骤：

- 开动电动工具，将仿形衬套靠向模板。
- 向下按压铣削深度锁定装置夹紧杆(16)，将上铣头缓慢向下拉，直至达到所设定的铣深。再次松开铣削深度锁定装置夹紧杆(16)，以便固定该浸入深度。必要时向上按压铣削深度锁定装置夹紧杆(16)，以便将其最终固定。
- 沿这模板推进装了仿形套的电动工具。

维修和服务

维护和清洁

- ▶ 在电动工具上进行所有操作之前都必须从插座上拔出电源插头。
- ▶ 电动工具和通气孔必须随时保持清洁，以确保工作效率和工作安全。
- ▶ 在某些极端使用环境下，如果可能的话一定要使用吸尘器。经常用毛刷清洁通气孔中的污垢，并且要使用故障电流保护开关（PRCD）。加工金属时可能在电动工具的内部堆积会导电的粉尘。这样可能会影响电动工具的安全绝缘性能。

如果必须更换连接线，务必把这项工作交给Bosch或者经授权的Bosch电动工具客户服务执行，以避免危害机器的安全性能。

客户服务和应用咨询

本公司客户服务处负责回答有关本公司产品的修理、维护和备件的问题。备件的展开图纸和信息也可查看：www.bosch-pt.com
博世应用咨询团队乐于就我们的产品及其附件问题提供帮助。

询问和订购备件时，务必提供机器铭牌上标示的10位数物品代码。

中国大陆

博世电动工具（中国）有限公司
中国 浙江省 杭州市
滨江区 滨康路567号
102/1F 服务中心
邮政编码：310052
电话：(0571)8887 5566 / 5588
传真：(0571)8887 6688 x 5566# / 5588#
电邮：bsc.hz@cn.bosch.com
www.bosch-pt.com.cn

制造商地址：

Robert Bosch Power Tools GmbH
罗伯特·博世电动工具有限公司
70538 Stuttgart / GERMANY
70538 斯图加特 / 德国

其他服务地址请见：

www.bosch-pt.com/serviceaddresses

处理废弃物

必须以符合环保要求的方式回收再利用电动工具、附件和包装材料。



请勿将电动工具扔到生活垃圾中!

产品中有害物质的名称及含量

部件名称	有害物质					
	铅 (Pb)	汞 (Hg)	镉 (Cd)	六价铬 (Cr ⁺⁶)	多溴联苯 (PBB)	多溴二苯醚 (PBDE)
外壳的金属部分	○	○	○	○	○	○
外壳的非金属部分	○	○	○	○	○	○
机械传动机构	X	○	○	○	○	○
电机组件	X	○	○	○	○	○
控制组件	X	○	○	○	○	○
附件	○	○	○	○	○	○
配件	○	○	○	○	○	○
连接件	X	○	○	○	○	○
电源线* ①	○	○	○	○	○	○
电池系统* ②	X	○	○	○	○	○

本表格依据SJ/T11364 的规定编制。

○：表示该有害物质在该部件所有均质材料中的含量均在GB/T 26572 规定的限量要求以下。

X: 表示該有害物質至少在該部件的某一均質材料中的含量超出GB/T 26572 規定的限量要求。且目前業界沒有成熟的替代方案，符合歐盟RoHS 指令環保要求。

① 適用於採用電源線連接供電的產品。

② 適用於採用充電電池供電的產品。

產品環保使用期限內的使用條件參見產品說明書。

繁體中文

安全注意事項

電動工具一般安全注意事項

警告 請詳讀工作臺及電動工具的所有安全警告與使用說明。若不遵照以下列出的指示，將可能導致電擊、著火和/或人員重傷。

保存所有警告和說明書以備查閱。

在所有警告中，「電動工具」此一名詞泛指：以市電驅動的（有線）電動工具或是以電池驅動的（無線）電動工具。

工作場地的安全

- ▶ 保持工作場地清潔和明亮。混亂和黑暗的場地會引發事故。
- ▶ 不要在易爆環境，如有易燃液體、氣體或粉塵的環境下操作電動工具。電動工具產生的火花會點燃粉塵或氣體。
- ▶ 讓兒童和旁觀者離開後操作電動工具。注意力不集中會使您失去對工具的控制。

電氣安全

- ▶ 電動工具插頭必須與插座相配。絕不能以任何方式改裝插頭。需接地的電動工具不能使用任何轉換插頭。未經改裝的插頭和相配的插座將減少電擊危險。
- ▶ 避免人體接觸接地表面，如管道、散熱片和冰箱。如果您身體接地會增加電擊危險。
- ▶ 不得將電動工具暴露在雨中或潮濕環境中。水進入電動工具將增加電擊危險。
- ▶ 不得濫用電線。絕不能用電線搬運、拉動電動工具或拔出其插頭。使電線遠離熱源、油、銳利邊緣或移動零件。受損或纏繞的軟線會增加電擊危險。
- ▶ 當在戶外使用電動工具時，使用適合戶外使用的延長線。適合戶外使用的軟線，將減少電擊危險。
- ▶ 如果在潮濕環境下操作電動工具是不可避免的，應使用剩餘電流動作保護器（RCD）。使用RCD可降低電擊危險。

人身安全

- ▶ 保持警覺，當操作電動工具時關注所從事的操作並保持清醒。當您感到疲倦，或在有藥物、酒精或治療反應時，不要操作電動工具。在操作電動工具時瞬間的疏忽會導致嚴重人身傷害。

- ▶ 使用個人防護裝置。始終佩戴護目鏡。安全裝置，諸如適當條件下使用防塵面具、防滑安全鞋、安全帽、聽力防護等裝置能減少人身傷害。
- ▶ 防止意外起動。確保開關在連接電源和/或電池盒、拿起或搬運工具時處於關閉位置。手指放在已接通電源的開關上或開關處於接通時插入插頭可能會導致危險。
- ▶ 在電動工具接通之前，拿掉所有調節鑰匙或扳手。遺留在電動工具旋轉零件上的扳手或鑰匙會導致人身傷害。
- ▶ 手不要伸展得太長。時刻注意立足點和身體平衡。這樣在意外情況下能很好地控制電動工具。
- ▶ 著裝適當。不要穿寬鬆衣服或佩戴飾品。讓您的衣物及頭髮遠離運動部件。寬鬆衣服、佩飾或長髮可能會捲入運動部件中。
- ▶ 如果提供了與排屑、集塵設備連接用的裝置，要確保他們連接完好且使用得當。使用這些裝置可減少塵屑引起的危險。
- ▶ 切勿因經常使用工具所累積的熟練感而過度自信，輕忽工具的安全守則。任何一個魯莽的舉動都可能瞬間造成人員重傷。

電動工具使用和注意事項

- ▶ 不要濫用電動工具，根據用途使用適當的電動工具。選用適當設計的電動工具會使您工作更有效、更安全。
- ▶ 如果開關不能開啟或關閉工具電源，則不能使用該電動工具。不能用開關來控制的電動工具是危險的且必須進行修理。
- ▶ 在進行任何調整、更換配件或貯存電動工具之前，必須從電源上拔掉插頭並/或取出電池盒。這種防護性措施將減少工具意外起動的危險。
- ▶ 將閒置不用的電動工具貯存在兒童所及範圍之外，並且不要讓不熟悉電動工具或對這些說明不瞭解的人操作電動工具。電動工具在未經培訓的用戶手中是危險的。
- ▶ 保養電動工具與配備。檢查運動件是否調整到位或卡住，檢查零件破損情況和影響電動工具運行的其他狀況。如有損壞，電動工具應在使用前修理好。許多事故由維護不良的電動工具引發。
- ▶ 保持切削刀具鋒利和清潔。保養良好的有鋒利切削刀的刀具不易卡住而且容易控制。
- ▶ 按照使用說明書，考慮作業條件和進行的作業來使用電動工具、配件和工具的刀頭等。將電動工具用於那些與其用途不符的操作可能會導致危險。

- ▶ 把手及握持區應保持乾燥、潔淨，且不得沾染任何油液或油脂。易滑脫的把手及握持區將無法讓您在發生意外狀況時安全地抓緊並控制工具。

檢修

- ▶ 將您的電動工具送交專業維修人員，必須使用同樣的備件進行更換。這樣將確保所維修的電動工具的安全性。

雕刻機安全注意事項

- ▶ 因為切刀可能會接觸到本身的電線，務必利用絕緣握持表面拿持電動工具。切割「導電」電線可能導致電動工具外露的金屬部件「導電」，進而使操作人員遭受電擊。
- ▶ 請用夾具或其他可行方式將工件穩固地架在可靠平台上。用手握持機器或將它貼靠在身上，將無法確實固定其位置而致使失控。
- ▶ 修邊刀的額定速度必須至少等於電動工具上標示的最高轉速。修邊刀以比其額定速度大的速度運轉，可能發生爆裂和飛濺。
- ▶ 銼刀或其他配件必須精準吻合電動工具的刀具承座（夾頭）。如果嵌件工具與電動工具的刀具承座之間有餘隙，不僅嵌件工具無法均勻旋轉，轉動時甚至會強烈震動，進而造成機器失控。
- ▶ 先啟動電動工具後再把工具放置在工件上切割。如果電動工具被夾在工件中，會有反彈的危險。
- ▶ 請勿將手伸進銼削範圍或碰觸銼刀。另一隻手應握在輔助手柄上。使用雙手操作雕刻機，便不會被銼刀割傷。
- ▶ 切勿在金屬物體、釘子或螺釘上方進行銼削。這麼做會造成銼刀損壞，同時也會造成強烈震動。
- ▶ 使用合適的偵測裝置偵察隱藏的電線，或者向當地的相關單位尋求支援。接觸電線可能引起火災並讓操作者觸電。若損壞瓦斯管會引起爆炸。鑿穿水管不僅會造成嚴重的財物損失，也可能導致觸電。
- ▶ 切勿使用已變鈍或已受損的銼刀。變鈍和損壞的銼刀不僅磨擦大，而且容易被夾住和失去平衡。
- ▶ 必須等待電動工具完全靜止後才能將它放下。嵌件工具可能卡住而使電動工具失控。
- ▶ 作業期間請用雙手牢牢握緊電動工具並保持穩固。使用雙手才能夠更穩定地操作電動工具。

產品和功率描述



請詳讀所有安全注意事項和指示。如未遵守安全注意事項與指示，可能導致火災、人員遭受電擊及／或重傷。請留意操作說明書中最前面的圖示。

依規定使用機器

本電動工具適合在木材、塑膠和輕質建材上進行修邊、銼槽、雕刻、銼長孔以及仿形雕刻的工作。操作時機器必須緊貼在工件表面。

只要降低轉速並且使用適當的銼刀，就能用來加工非鐵金屬。

插圖上的機件

機件的編號和電動工具詳解圖上的編號一致。

- (1) 起停開關的鎖止鈕
- (2) 右側把手（絕緣握柄）
- (3) 主軸鎖止按鈕
- (4) 平行擋塊導引桿的蝶翼螺栓（2x）
- (5) 防屑板
- (6) 底座
- (7) 滑板
- (8) 平行擋塊導引桿的接頭
- (9) 多階式擋塊
- (10) 保護密封套
- (11) 用來調整限深擋塊的蝶翼螺栓
- (12) 帶有指示標記的滑板
- (13) 限深擋塊
- (14) 銼深刻度尺
- (15) 左側把手（絕緣握柄）
- (16) 銼深止動機制緊固扳手
- (17) 仿形襯套解扣桿
- (18) 銼刀^{a)}
- (19) 起停開關
- (20) 轉速預設轉鈕
- (21) 帶有彈式夾環的鎖緊螺母
- (22) 開口扳手（19 mm）
- (23) 吸塵管（直徑 35 mm）^{a)}
- (24) 吸塵轉接頭
- (25) 吸塵轉接頭的滾花螺栓（2x）
- (26) 平行擋塊導引桿（2x）
- (27) 平行擋塊
- (28) 定心銷^{a)}
- (29) 定心銷的蝶翼螺栓^{a)}
- (30) 弧度擋塊^{a)}
- (31) 銼割規／導軌接合器^{a)}
- (32) 銼割規把手^{a)}
- (33) 銼割規粗調蝶翼螺栓（2x）^{a)}
- (34) 銼割規微調蝶翼螺栓（1x）^{a)}
- (35) 銼割規微調轉鈕^{a)}
- (36) 對中螺栓^{a)}
- (37) 導軌^{a)}
- (38) 隔板（屬於「銼割規」套件）
- (39) 仿形襯套

a) 圖表或說明上提到的配件，並不包含在基本的供貨範圍中。本公司的配件清單中有完整的配件供應項目。

技術性數據

電動雕刻刀

GOF 130

產品機號

3 601 FB7 0..

雕刻機		GOF 130	
額定輸入功率	W	1300	
無負載轉速	min ⁻¹	11000-28000	
轉速設定		●	
電子穩定控制系統		●	
吸塵器的接頭		●	
相容的彈式夾環	mm 英吋	6/8 ¼	
修邊座	mm	55	
重量符合 EPTA-Procedure 01:2014	kg	3.5	
絕緣等級		□/□	

本說明書提供的參數是以 230 伏特為依據，於低電壓地區，此數據有可能不同。

安裝

- ▶ 維修電動工具或換裝零、配件之前，務必從插座上拔出插頭。

裝上銑刀（請參考圖 A）

- ▶ 安裝和更換銑刀時，最好戴上防護手套。

根據各種用途，本公司提供了不同品質和款式的銑刀。

高效能快速切削鋼材質的銑刀 (HSS) 適合用來加工軟性材料，例如軟木和塑膠。

採用硬金屬刀頭的銑刀 (HM) 尤其適合用於具磨蝕特性的堅硬材料，例如硬木和鋁合金。

您可以向您的專業經銷商，購買博世配件系列中的各式各樣博世原廠銑刀。

只能安裝完好且乾淨的銑刀。

- 將防屑板 (5) 往下翻。
- 按壓主軸鎖止按鈕 (3) 不要放開。必要時可直接用手旋轉馬達轉軸，使其位置固定鎖死。
- 用開口扳手 (22) (開口寬度 19 mm) 沿旋轉方向 ① 轉動，以便鬆開鎖緊螺母 (21)。
- 把銑刀裝入夾鉗中。銑刀柄必須至少陷入夾鉗中 20 mm。
- 用開口扳手 (22) (開口寬度 19 mm) 沿旋轉方向 ② 轉動，以便旋緊鎖緊螺母 (21)。放開主軸鎖止按鈕 (3)。
- 將防屑板 (5) 往上翻。

- ▶ 若未裝上仿形襯套，即不得安裝直徑超過 50 mm 的銑刀。此銑刀無法通過底座。

- ▶ 只要尚未裝上銑刀，就絕對不可透過鎖緊螺母將夾頭鎖緊。否則會造成夾頭損壞。

吸除廢塵／料屑

含鉛顏料、部分木材種類、礦石和金屬的加工廢塵有害健康。機器操作者或施工現場附近的人員如果接觸、吸入這些廢塵，可能會引發過敏反應或感染呼吸道疾病。

某些塵埃（例如加工橡木或山毛櫸的廢塵）可能致癌，特別是與處理木材的添加劑（例如木材的防腐

劑等）結合之後。唯有受過專業訓練的人才能夠進行含石棉物料的加工。

- 儘可能使用適合物料的吸塵裝置。
 - 工作場所要保持空氣流通。
 - 建議佩戴 P2 過濾等級的口罩。
- 請留意並遵守貴國的物料加工相關法規。

- ▶ 避免讓工作場所堆積過多的塵垢。塵埃容易被點燃。

安裝吸管接頭

軟管接頭不論朝前或朝後，皆可裝上吸塵轉接頭 (24)。安裝時若要把軟管接頭朝前，則必須事先將防屑板 (5) 取下。利用 2 顆滾花螺栓 (25) 將吸塵轉接頭 (24) 固定在底座 (6) 上。必須定期清潔吸塵轉接頭 (24)，以確保最佳吸塵效果。

連接吸塵裝置（請參考圖 B）

將吸塵管（直徑 35 mm）(23)（配件）插到已安裝好的吸塵轉接頭上。將吸塵管 (23) 與吸塵器連接起來（配件）。

本電動工具可直接連接到 **Bosch** 全能型吸塵器的插座上，該吸塵器具備遙控啟動功能。當您啟動本電動工具時吸塵器也會跟著啟動。

根據工件材質選擇合適的吸塵器。

吸集可能危害健康、可能导致癌或乾燥的廢塵時，務必使用特殊吸塵器。

安裝防屑板（請參考圖 C）

從前面將防屑板 (5) 往導槽插入至卡上為止。若要取下，請從側面抓住防屑，然後將它往前拔出即可。

操作

- ▶ 請注意電源電壓！電源的電壓必須和電動工具銘牌上標示的電壓一致。標示為 230 V 的電動工具亦可接上 220 V 電源。

操作機器

設定轉速

利用轉速預設轉鈕 (20)，即使是在工具運作期間，亦可按照需求預設轉速。

- 1-2 低轉速
- 3-4 中轉速
- 5-6 高轉速

表格中的值僅供參考。合適的轉速會因物料或工作狀況而不同，唯有實際操作才能夠找到最佳設定。

工件物料	銑刀直徑 [mm]	轉鈕的位置
硬木（樺木）	4-10	5-6
	12-20	3-4
	22-40	1-2
軟木（松）	4-10	5-6
	12-20	3-6
	22-40	1-3

工件物料	銑刀直徑 [mm]	轉鈕的位置
塑合板	4-10	3-6
	12-20	2-4
	22-40	1-3
塑料	4-15	2-3
	16-40	1-2
鋁材	4-15	1-2
	16-40	1

啟動/關閉

請在啟動/關閉電源之前，調整銑深。

若要**啟動**電動工具，請先按下鎖止鈕 (1)，然後再按住起停開關 (19) 不要放開。

若要**鎖定**起停開關 (19) 的位置，請重新按壓鎖止鈕 (1)。

若要**關閉**電源，放開起停開關 (19) 即可。如果有使用鎖止鈕 (1) 來鎖定起停開關 (19) 的位置，請短按一下起停開關 (19) 並隨即放開。

電子穩定控制系統

不論機器處在負載或空載狀態，恆定電子裝置都能夠穩定轉速，確保一致的工作效率。

調整銑深 (請參考圖 D)

關閉電動工具之後才可以調整銑深。

遵循以下的步驟，初步調整銑深：

- 把已裝上銑刀的電動工具放到工件上。
- 請將多階式擋塊 (9) 調至最低的那一階；此時應要感覺到多階式擋塊卡上。
- 鬆開限深擋塊上的蝶翼螺栓 (11)，使限深擋塊 (13) 能夠自由活動。
- 沿旋轉方向 ① 推動銑深止動機制緊固扳桿 (16) 並將電動雕刻刀慢慢往下拉，直到銑刀 (18) 接觸到工件表面。重新放開銑深止動機制緊固扳桿 (16)，以便固定沈入深度。必要時可沿旋轉方向 ② 推動銑深止動機制緊固扳桿 (16)，以便徹底固定住它的位置。
- 將限深擋塊 (13) 往下推至緊貼在多階式擋塊 (9) 上為止。調整滑塊，使其指示標記 (12) 對準鋸深刻度尺 (14) 的位置 0。
- 將限深擋塊 (13) 移至所需銑深，然後旋緊限深擋塊上的蝶翼螺栓 (11)。請注意：請不要再移動滑塊指示標記 (12) 的位置。
- 沿旋轉方向 ① 推動銑深止動機制緊固扳桿 (16) 並將電動雕刻刀移至最上方位置。

銑深較大時，應分次加工，以減少單次的銑削量。您可借助多階式擋塊 (9) 將銑削作業分攤成多次操作。其做法是：將多階式擋塊的最低一階設成所需銑深，然後在初步加工時先選用較高階位置。

作業注意事項

- ▶ 保護銑刀免受沖撞和敲擊。
- ▶ 維修電動工具或換裝零、配件之前，務必從插座上拔出插頭。

銑削方向和銑削操作 (請參考圖 E)

- ▶ 進行銑削時必須始終與銑刀運轉方向 (18) 保持相反 (反向運作)。若是順著銑刀的運轉方向 (同向運作) 銑削，電動工具可能從您的手上被扯開。

請視需要調整銑削深度。

把安裝好銑刀的電動工具放在待加工的工件上並開動電動工具。

將銑深止動機制緊固扳桿 (16) 往下推並將電動雕刻刀慢慢往下拉，直到達到所設定的銑深為止。重新放開銑深止動機制緊固扳桿 (16)，以便固定沈入深度。必要時可將銑深止動機制緊固扳桿 (16) 往上推，以便徹底固定住它的位置。

推進機器時必須施力均勻。

結束銑削之後要把上銑頭拉回到最上端的位置。

關閉電動工具。

使用輔助擋塊進行銑削 (請參考圖 F)

加工大型工件 (例如挖槽銑削) 時，可以把木板或木條固定在工件上充當輔助擋塊，然後將電動雕刻刀靠著輔助擋塊上並沿著擋塊移動。沿著輔助擋塊移動電動雕刻刀時，請用滑板平面那一側靠在擋塊上。

修邊或雕刻

進行修邊或雕刻時如果不使用平行擋塊，則銑刀上必須有導向樺頭或滾珠軸承。

將已啟動的電動工具慢慢地移近工件的邊緣，直到銑刀上的導向樺頭或滾珠軸承觸及工件邊緣為止。然後沿著工件的邊緣推動電動工具。電動工具和工件表面之間要保持直角，不可傾斜。推進機器時如果用力過猛可能造成工件邊緣損壞。

使用平行擋塊進行銑削 (請參考圖 G-H)

將平行擋塊 (27) 的導引桿 (26) 推入底座 (6) 中，然後依據所需尺寸用蝶翼螺栓 (4) 將它旋緊。將已啟動的電動工具用力均勻地向前推進。必須緊靠著平行擋塊，並沿著工件邊緣移動電動工具。

銑削圓弧線 (請參考圖 I-J)

將平行擋塊 (27) 翻面，使其止擋接觸面朝上。

將平行擋塊 (27) 的導引桿 (26) 推入底座 (6) 中，然後依據所需尺寸用蝶翼螺栓 (4) 將它旋緊。

將蝶翼螺栓 (29) 穿入至平行擋塊 (27) 上的鑽孔，以便固定定心銷 (28)。

將定心銷 (28) 刺入您所標示出來的圓弧線中心點位置，然後以均勻的推進力道進行銑削。

使用弧度擋塊進行銑削 (請參考圖 K-L)

將平行擋塊 (27) 的導引桿 (26) 推入底座 (6) 中，然後依據所需尺寸用蝶翼螺栓 (4) 將它旋緊。

將已裝上的導引輪 (30) 穿過平行擋塊 (27) 上的鑽孔，以便固定弧度擋塊

以略帶側壓的方式，沿著工件邊緣移動電動工具。

使用銑割規進行銑削 (請參考圖 M)

銑削圓形時，您可以使用銑割規/導軌接合器 (31)。參考圖安裝銑割規。

將對中螺栓 (36) 旋入至銑割規的螺紋孔內。將螺栓尖端插進欲銑削之圓弧線的中心點位置，請注意：螺栓尖端應要嵌進工件表面裡。

藉由移動銑割規大致調整至所需半徑，然後轉緊蝶翼螺栓 (33) 和 (34)。

轉鈕 (35) 可讓您在鬆開蝶翼螺栓 (34) 之後微調長度。此時旋轉一圈的實際調整幅度是 2.0 mm，轉鈕 (35) 上的每條刻度線代表 0.1 mm 的調整幅度。

利用右側把手 (2) 以及銑割規把手 (32)，將已啟動電源的電動工具移至工件上方。

使用導軌進行銑削 (請參考圖 N)

您可利用導軌 (37) 進行直線加工。

您必須安裝隔板 (38) 以填補高度落差。

請按圖中所示方式安裝銑割規/導軌接合器 (31)。

請使用適當的夾具 (例如螺旋夾具)，將導軌 (37) 固定在工件之上。電動工具透過事先裝好的導軌接合器 (31) 架設在導軌上。

使用仿形襯套進行銑削 (請參考圖 O-P)

借助仿形襯套 (39) 即可將樣板輪廓或模版移植到工件上。

請根據模版或樣板的厚度，選用合適的仿形襯套。由於仿形襯套凸出在外，所以模板的厚度至少要有 8 毫米。

挪動解扣桿 (17) 並從底部將仿形襯套 (39) 裝入至底座 (6) 中。編碼的突起必須正確地陷入仿形襯套上的凹陷中。

▶ 銑刀直徑必須小於仿形襯套的內直徑。

若要使用仿形襯套 (39) 進行銑削，執行步驟如下：

- 開動電動工具，將仿形襯套靠向模板。
- 將銑深止動機制緊固扳桿 (16) 往下推並將電動雕刻刀慢慢往下拉，直到達到所設定的銑深為止。重新放開銑深止動機制緊固扳桿 (16)，以便固定沈入深度。必要時可將銑深止動機制緊固扳桿 (16) 往上推，以便徹底固定住它的位置。
- 往側邊施壓，讓已裝上仿形襯套的電動工具沿著模版推進。

維修和服務

維修和清潔

- ▶ 維修電動工具或換裝零、配件之前，務必從插座上拔出插頭。
- ▶ 電動工具和通風口都必須保持清潔，這樣才能夠提高工作品質和安全性。
- ▶ 在某些極端操作環境下，如有可能請務必使用吸塵裝備。時常用軟刷清潔通氣孔，並於前端加設漏電斷路器 (PRCD)。加工金屬時電動工具內部可能堆積會導電的廢塵。這樣可能會影響電動工具的安全絕緣性能。

如果必須更換連接線，請務必交由 **Bosch** 或者經授權的 **Bosch** 電動工具顧客服務執行，以避免危害機器的安全性能。

顧客服務處和顧客諮詢中心

本公司顧客服務處負責回答有關本公司產品的維修、維護和備用零件的問題。以下的網頁中有分解圖和備用零件相關資料：www.bosch-pt.com

如果對本公司產品及其配件有任何疑問，博世應用諮詢小組很樂意為您提供協助。

當您需要諮詢或訂購備用零件時，請務必提供本產品型號銘牌上 10 位數的產品機號。

台灣

台灣羅伯特博世股份有限公司

建國北路一段90號6樓

台北市10491

電話: (02) 7734 2588

傳真: (02) 2516 1176

www.bosch-pt.com.tw

製造商地址:

Robert Bosch Power Tools GmbH

羅伯特·博世電動工具有限公司

70538 Stuttgart / GERMANY

70538 斯圖加特/德國

以下更多客戶服務處地址：

www.bosch-pt.com/serviceaddresses

廢棄物處理

必須以符合環保的方式，回收再利用損壞的機器、配件和廢棄的包裝材料。



不可以把電動工具丟入一般的家庭垃圾中。

ไทย

คำเตือนเพื่อความปลอดภัย

คำเตือนเพื่อความปลอดภัยทั่วไปสำหรับเครื่องมือไฟฟ้า

⚠ คำเตือน อ่านคำเตือนเพื่อความปลอดภัย คำแนะนำ ภาพประกอบ และข้อมูล

จำเพาะทั้งหมดที่จัดส่งมาพร้อมกับเครื่องมือไฟฟ้า

การไม่ปฏิบัติตามคำแนะนำทั้งหมดที่ระบุไว้ด้านบน

อาจก่อให้เกิดไฟฟ้าช็อต เกิดไฟไหม้ และ/หรือได้รับบาดเจ็บอย่างร้ายแรง

เก็บรักษาคำเตือนและคำสั่งทั้งหมดสำหรับเปิดอ่านในภายหลัง

คำว่า "เครื่องมือไฟฟ้า" ในคำเตือนหมายถึง เครื่องมือไฟฟ้าของท่านที่ทำงานด้วยพลังงานไฟฟ้าจากแหล่งจ่ายไฟหลัก (มี

สายไฟฟ้า) และเครื่องมือไฟฟ้าที่ทำงานด้วยพลังงานไฟฟ้าจากแบตเตอรี่ (ไร้สาย)

ความปลอดภัยในสถานที่ทำงาน

- ▶ **รักษาสถานที่ทำงานให้สะอาดและมีไฟส่องสว่าง** สถานที่ที่มีมืดหรือรกรุงร่งนำมาซึ่งอุบัติเหตุ
- ▶ **อย่าใช้เครื่องมือไฟฟ้าทำงานในสภาพบรรยากาศที่จุดติดไฟได้** เช่น ในที่มีมีของเหลวไวไฟ ก๊าซ หรือฝุ่น เมื่อใช้เครื่องมือไฟฟ้าจะเกิดประกายไฟซึ่งอาจจุดฝุ่นหรือไอให้ลุกเป็นไฟได้
- ▶ **ขณะใช้เครื่องมือไฟฟ้าทำงาน ต้องกันเด็กและผู้ยืนดูให้ออกห่าง**
การหันเหความสนใจอาจทำให้ท่านขาดการควบคุมเครื่องได้

ความปลอดภัยเกี่ยวกับไฟฟ้า

- ▶ **ปลั๊กของเครื่องมือไฟฟ้าต้องเหมาะสมพอดีกับเต้าเสียบ** อย่าตัดแปลงปลั๊กไม่ว่าในลักษณะใดๆ อย่างเด็ดขาด อย่าใช้ปลั๊กพ่วงต่อกับเครื่องที่มีสายดิน ปลั๊กที่ไม่ตัดแปลงและเต้าเสียบที่เข้ากันช่วยลดความเสี่ยงจากการถูกไฟฟ้าดูด
- ▶ **หลีกเลี่ยงอย่าให้ร่างกายสัมผัสกับพื้นผิวที่ต่อสายดินหรือลงกราวด์ไว้** เช่น ท่อ เครื่องทำความร้อน เตา และตู้เย็น จะเสี่ยงอันตรายจากการถูกไฟฟ้าดูดมากขึ้นหากกระแสไฟฟ้าวิ่งผ่านร่างกายของท่านลงดิน
- ▶ **อย่าให้เครื่องมือไฟฟ้าถูกฝนหรืออยู่ในสภาพเปียกชื้น** หากน้ำเข้าในเครื่องมือไฟฟ้า จะเพิ่มความเสี่ยงจากการถูกไฟฟ้าดูด
- ▶ **อย่าใช้สายไฟฟ้าในทางที่ผิด** อย่าใช้สายไฟฟ้าเพื่อยก ดึง หรือถอดปลั๊กเครื่องมือไฟฟ้า กันสายไฟ้ออกห่างจากความร้อน น้ำมัน ขอบแหลมคม หรือชิ้นส่วนที่เคลื่อนที่ สายไฟฟ้าที่ชำรุดหรือพันกันยุ่งเพิ่มความเสี่ยงจากการถูกไฟฟ้าดูด
- ▶ **เมื่อใช้เครื่องมือไฟฟ้าทำงานกลางแจ้ง ให้ใช้สายไฟต่อที่เหมาะสมสำหรับงานกลางแจ้ง** การใช้สายไฟต่อที่เหมาะสมสำหรับงานกลางแจ้งช่วยลดอันตรายจากการถูกไฟฟ้าดูด
- ▶ **หากไม่สามารถหลีกเลี่ยงการใช้เครื่องมือไฟฟ้าทำงานในสถานที่เปียกชื้นได้ ให้ใช้สวิตช์ตัดวงจรเมื่อเกิดการรั่วไหลของไฟฟ้าจากสายดิน (RCD)** การใช้สวิตช์ตัดวงจรเมื่อเกิดการรั่วไหลของไฟฟ้าจากสายดินช่วยลดความเสี่ยงต่อการถูกไฟฟ้าดูด

ความปลอดภัยของบุคคล

- ▶ **ท่านต้องอยู่ในสภาพเตรียมพร้อม** ระวังในสิ่งที่ท่านกำลังทำอยู่ และมีสติขณะใช้เครื่องมือไฟฟ้าทำงาน อย่าใช้เครื่องมือไฟฟ้าขณะที่ท่านกำลังเหนื่อย หรืออยู่ภายใต้การครอบงำของฤทธิ์ของยาเสพติด แอลกอฮอล์ และยา เมื่อใช้เครื่องมือไฟฟ้าทำงานในช่วงเวลาที่ท่านขาดความเอาใจใส่อาจทำให้บุคคลบาดเจ็บอย่างรุนแรงได้
- ▶ **ใช้อุปกรณ์ปกป้องร่างกาย** สวมแว่นตาป้องกันเสมอ อุปกรณ์ปกป้อง เช่น หน้ากากกันฝุ่น รองเท้ากันลื่น หมวกแข็ง หรือประคบหูกันเสียงดังที่ใช้ตามความเหมาะสมกับสภาพการทำงาน จะลดการบาดเจ็บทางร่างกาย
- ▶ **ป้องกันการติดเครื่องโดยไม่ตั้งใจ** ตรวจสอบให้แน่ใจว่าสวิตช์อยู่ในตำแหน่งปิดก่อนเชื่อมต่อเข้ากับแหล่งจ่ายไฟ และ/หรือแบตเตอรี่แพ็ค ยกหรือถือเครื่องมือการถือเครื่องโดยใช้นิ้วหัวที่สวิตช์ หรือเสียบปลั๊กไฟฟ้าขณะสวิตช์เปิดอยู่ อาจนำไปสู่อุบัติเหตุที่ร้ายแรงได้
- ▶ **นำเครื่องมือปรับแต่งหรือประแจปากตายออกก่อนเปิดสวิตช์เครื่องมือไฟฟ้า** เครื่องมือหรือประแจปากตายที่วางอยู่กับส่วนของเครื่องที่กำลังหมุนจะทำให้บุคคลบาดเจ็บได้
- ▶ **อย่าเอื้อมไกลเกินไป** ตั้งทำขึ้นที่มั่นคงและวางน้ำหนักให้สมดุลตลอดเวลา ในลักษณะนี้ท่านสามารถควบคุมเครื่องมือไฟฟ้าในสถานการณ์ที่ไม่คาดคิดได้ดีกว่า
- ▶ **แต่งกายอย่างเหมาะสม** อย่าใส่เสื้อผ้าหลวมหรือสวมเครื่องประดับ เอาผมและเสื้อผ้าออกจากชิ้นส่วนที่เคลื่อนที่ เสื้อผ้าหลวม เครื่องประดับ และผม ยาวอาจเข้าไปติดในชิ้นส่วนที่เคลื่อนที่
- ▶ **หากเครื่องมือไฟฟ้ามีข้อเชื่อมต่อกับเครื่องดูดฝุ่นหรือเครื่องเก็บผง ให้ตรวจสอบให้แน่ใจว่าได้เชื่อมต่อและใช้งานอย่างถูกต้อง** การใช้อุปกรณ์ดูดฝุ่นช่วยลดอันตรายที่เกิดจากฝุ่นได้
- ▶ **เมื่อใช้งานเครื่องบ่อยครั้งจะเกิดความคุ้นเคย** อย่านำความคุ้นเคยทำให้ท่านเกิดความชะล่าใจและละเลยกฎเกณฑ์ด้านความปลอดภัยในการใช้งานเครื่อง การทำงานอย่างไม่ระมัดระวังอาจทำให้เกิดการบาดเจ็บอย่างร้ายแรงภายในเสี้ยววินาที

การใช้และการดูแลรักษาเครื่องมือไฟฟ้า

- ▶ **อย่าฝืนกำลังเครื่องมือไฟฟ้า** ใช้เครื่องมือไฟฟ้าที่ถูกต้องตรงตามลักษณะงานของท่าน เครื่องมือไฟฟ้าที่ดีต้องจะทำงานได้ดีกว่าและปลอดภัยกว่าในระดับสมรรถภาพที่ออกแบบไว้
- ▶ **อย่าใช้เครื่องมือไฟฟ้าถ้าสวิตช์ไม่สามารถเปิดปิดได้** เครื่องมือไฟฟ้าที่ไม่สามารถควบคุมการเปิดปิดด้วยสวิตช์

ทซ์ได้ เป็นเครื่อง

มือไฟฟ้าที่ไม่ปลอดภัยและต้องสวมหมวก

- ▶ **ก่อนปรับแต่งเครื่อง เปลี่ยนอุปกรณ์ประกอบ หรือเก็บเครื่องเข้าที่ ต้องถอดปลั๊กออกจากแหล่งจ่ายไฟ และ/หรือถอดแบตเตอรี่แพ็คเกจออกจากเครื่องมือไฟฟ้าหากถอดออกได้**

มาตรการป้องกันเพื่อความปลอดภัยนี้ช่วยลดความ

เสี่ยงจากการติดเครื่องโดยไม่ตั้งใจ

- ▶ **เมื่อเลิกใช้งานเครื่องมือไฟฟ้า ให้เก็บเครื่องไว้ในที่เด็กหยิบไม่ถึง และไม่อนุญาตให้บุคคลที่ไม่คุ้นเคยกับเครื่องหรือบุคคลที่ไม่ได้อ่านคำแนะนำเหล่านี้ใช้เครื่อง** เครื่องมือไฟฟ้าเป็นของอันตรายหากตกอยู่ในมือของผู้ใช้ที่ไม่ได้รับการฝึกฝน

- ▶ **บำรุงรักษาเครื่องมือไฟฟ้าและอุปกรณ์ประกอบ ตรวจสอบชิ้นส่วนที่เคลื่อนที่ว่าจะวาง ไม่ตรงแนวหรือติดขัดหรือไม่ ตรวจสอบการแตกหักของชิ้นส่วนและสภาพอื่นใดที่อาจมีผลต่อการทำงานของเครื่องมือไฟฟ้า หากชำรุดต้องส่งเครื่องมือไฟฟ้าไปซ่อมแซมก่อนใช้งาน** อุบัติเหตุหลายอย่างเกิดขึ้นเนื่องจากดูแลรักษาเครื่องไม่ดีพอ

- ▶ **รักษาเครื่องมือตัดให้คมและสะอาด**

หากบำรุงรักษาเครื่องมือที่มีขอบตัดแหลมคมอย่างถูกต้อง จะสามารถตัดได้สิ้นไม่ติดขัดและควบคุมได้ง่ายกว่า

- ▶ **ใช้เครื่องมือไฟฟ้า อุปกรณ์ประกอบ เครื่องมือ และอุปกรณ์อื่น ๆ ตรงตามคำแนะนำเหล่านี้ โดยคำนึงถึงเงื่อนไขการทำงานและงานที่จะทำ** การใช้เครื่องมือไฟฟ้าทำงานที่ต่างไปจากวัตถุประสงค์การ

ใช้งานของเครื่อง อาจนำไปสู่สถานการณ์ที่เป็นอันตรายได้

- ▶ **ดูแลด้ามจับและพื้นผิวจับให้แห้ง สะอาด และปราศจากคราบน้ำมันและจาระบี** ด้ามจับและพื้นผิวจับที่ลื่นทำให้มือจับได้ไม่ปลอดภัย และไม่สามารถควบคุมเครื่องมือในสถานการณ์ที่ไม่คาดคิด

การบริการ

- ▶ **ส่งเครื่องมือไฟฟ้าของท่านเข้ารับบริการจากช่างซ่อมที่มีคุณสมบัติเหมาะสม โดยใช้อะไหล่ที่เหมือนกันเท่านั้น** ในลักษณะนี้ท่านจะแน่ใจได้ว่าเครื่องมือไฟฟ้าอยู่ในสภาพที่ปลอดภัย

คำเตือนเพื่อความปลอดภัยสำหรับเครื่องเขารอง

- ▶ **จับเครื่องมือไฟฟ้าเฉพาะตรงพื้นผิวจับที่หุ้มฉนวนเท่านั้น** เนื่องจากใบตัดอาจสัมผัสสายไฟฟ้าของตัวเครื่องเอง หากตัดสายที่ “มีกระแสไฟฟ้า” ไหลผ่าน จะทำให้ชิ้นส่วนโลหะที่ไม่ได้หุ้มฉนวนของเครื่องมือไฟฟ้าเกิด “มีกระแสไฟฟ้า” ด้วย และส่งผลให้ผู้ใช้งานเครื่องถูกไฟฟ้าดูดได้

- ▶ **ใช้เครื่องมือหรือวิธีอื่นที่ปลอดภัยเพื่อยึดและหมุนชิ้นงานกับแท่นที่มั่นคง** การใช้มือจับชิ้นงานหรือยื่นไว้กับร่างกายจะไม่มั่นคง และอาจทำให้สูญเสียการควบคุม

- ▶ **ความเร็วรอบที่อนุญาตของเครื่องมือเขารองอย่างน้อยที่สุดต้องสูงเท่ากับความเร็วรอบสูงสุดที่ระบุไว้บนเครื่องมือไฟฟ้า** เครื่องมือเขารองที่หมุนเร็วกว่าความเร็วรอบกำหนดของตัว

เองอาจกระเด็นออกเป็นชิ้นๆ

- ▶ **เครื่องมือเขารองหรืออุปกรณ์ประกอบอื่นๆ ต้องประกอบเข้าในด้ามจับเครื่องมือ (แหวนรัดก้านเครื่องมือ) ของเครื่องมือไฟฟ้าของท่านได้อย่างพอดี** เครื่องมือที่ไม่สามารถใส่เข้าในด้ามจับเครื่องมือของเครื่องมือไฟฟ้าได้อย่างพอดี จะหมุนไม่สม่ำเสมอ สั่นตัวมาก และอาจทำให้สูญเสียการควบคุมได้

- ▶ **จับเครื่องมือไฟฟ้าเข้าหาชิ้นงานเมื่อเครื่องเปิดสวิทช์อยู่เท่านั้น** มิฉะนั้นอาจได้รับอันตรายจากการตีกลับหากเครื่องมือตัดติดขัดอยู่ในชิ้นงาน

- ▶ **เอามือของท่านออกห่างจากบริเวณเขารองและเครื่องมือเขารอง** จับด้ามจับเพิ่มด้วยมืออีกข้างหนึ่ง เมื่อมือทั้งสองข้างจับเครื่องอยู่ เครื่องมือเขารองไม่สามารถทำให้มีขนาดจับได้

- ▶ **อย่าเขารองวัสดุที่เป็นโลหะ ตะปู หรือสกรู อย่างเด็ดขาด** เครื่องมือเขารองอาจเสียหายและทำให้เส้นตัวมากยิ่งขึ้น

- ▶ **ใช้เครื่องตรวจจับที่เหมาะสมเพื่อตรวจสอบหาสายไฟฟ้าหรือท่อสารหนูปกที่อาจซ่อนอยู่ในบริเวณทำงานหรือติดต่อวิธีสารหนูปกในพื้นที่เพื่อขอความช่วยเหลือ** การสัมผัสกับสายไฟฟ้าอาจทำให้เกิดไฟไหม้หรือถูกไฟฟ้าดูด การทำให้ท่อแก๊สเสียหายอาจทำให้เกิดระเบิด การเจาะเข้าในท่อน้ำทำให้ทรัพย์สินเสียหาย หรืออาจเป็นเหตุให้ถูกไฟฟ้าดูดได้

- ▶ **อย่าใช้เครื่องมือเขารองที่ทื่อหรือชำรุด** เครื่องมือเขารองที่ทื่อหรือชำรุดทำให้เกิดแรงเสียดทานมากขึ้น อาจทำให้เกิดการติดขัดและนำไปสู่ความไม่สมดุล

- ▶ **รอให้เครื่องมือไฟฟ้าหยุดสนิทก่อนวางเครื่องลงบนพื้น** เครื่องมือที่ใส่อยู่อาจติดขัดและทำให้สูญเสียการควบคุมเครื่องมือไฟฟ้า

- ▶ **จับเครื่องมือไฟฟ้าให้แน่นด้วยมือทั้งสองข้างและตั้งทำขึ้นใหม่แน่นขณะทำงาน** ท่านจะสามารถนำทางเครื่องมือไฟฟ้าได้ปลอดภัยกว่าเมื่อจับเครื่องด้วยมือทั้งสองข้าง

รายละเอียดผลิตภัณฑ์และข้อมูล

จำเพาะ



อ่านคำเตือนเพื่อความปลอดภัยและคำแนะนำทั้งหมด การไม่ปฏิบัติตามคำเตือนและคำสั่งอาจเป็นสาเหตุให้ถูกไฟฟ้าดูด เกิดไฟไหม้ และ/หรือได้รับบาดเจ็บอย่างร้ายแรง

กรุณาดูภาพประกอบในส่วนของคู่มือการใช้งาน

ประโยชน์การใช้งานของเครื่อง

เครื่องมือไฟฟ้านี้ใช้สำหรับเจาะร่อง ขอบ รูปโครงร่าง และร่องตามยาว และยังใช้สำหรับเจาะคัดลอกในไม้ พลาสติก และวัสดุก่อสร้างน้ำหนักเบา โดยจับเครื่องวางบนชิ้นงานอย่างมั่นคง

โลหะที่ไม่ใช่เหล็กสามารถลึงได้ด้วยความเร็วที่ลดลงและมีมิติที่เหมาะสม

ส่วนประกอบผลิตภัณฑ์

ลำดับเลขของส่วนประกอบผลิตภัณฑ์อ้างอิงถึงส่วนประกอบของเครื่องที่แสดงในหน้าภาพประกอบ

- (1) มุมล็อคสวิตช์เปิด-ปิด
- (2) ด้ามจับด้านขวา (พื้นผิวจับหุ้มฉนวน)
- (3) มุมล็อคแกน
- (4) แท่งนำน็อตปิกสำหรับแผงกำหนดแนวขนาน (2x)
- (5) ตัวป้องกันขอบ
- (6) แผ่นฐาน
- (7) แผ่นนำทาง
- (8) ที่วางสำหรับก้านนำ-แผงกำหนดแนวขนาน
- (9) ก้านวัดระดับ
- (10) แชนป้องกัน
- (11) น็อตปิกสำหรับปรับก้านวัดความลึก
- (12) แถบเลื่อนที่มีเครื่องหมายชี้
- (13) ก้านวัดความลึก
- (14) มาตรฐานสำหรับปรับความลึกการตัด
- (15) ด้ามจับด้านซ้าย (พื้นผิวจับหุ้มฉนวน)
- (16) คันหนึบสำหรับตัวล็อคความลึกในการเจาะ
- (17) คันปลดล็อคสำหรับปลดสวมนำสำหรับลอกแบบ
- (18) เครื่องมือเจาะ^{a)}
- (19) สวิตช์เปิด-ปิด
- (20) ล้อตั้งความเร็วรอบล่วงหน้า

- (21) น็อตยึดพร้อมแหวนรัดก้านเครื่องมือ
- (22) ประแจปากตาย (19 มม.)
- (23) ท่อดูด (Ø 35 มม.)^{a)}
- (24) ข้อต่อท่อดูดออก
- (25) สกรุดอกสำหรับอะแดปเตอร์ดูด (2x)
- (26) ที่วางสำหรับก้านนำสำหรับแผงกำหนดแนวขนาน (2x)
- (27) แผงกำหนดแนวขนาน
- (28) หมุดปรับศูนย์^{a)}
- (29) น็อตปิกสำหรับหมุดปรับศูนย์^{a)}
- (30) ก้านโค้ง^{a)}
- (31) วงเขาะ/อะแดปเตอร์รางนำ^{a)}
- (32) ด้ามจับสำหรับวงเขาะ^{a)}
- (33) แท่งนำน็อตปิกสำหรับการปรับหยาบของวงเขาะ (2x)^{a)}
- (34) แท่งนำน็อตปิกสำหรับการปรับละเอียดของวงเขาะ (1x)^{a)}
- (35) หัวหมุนสำหรับการปรับละเอียดของวงเขาะ^{a)}
- (36) สกรูปรับศูนย์^{a)}
- (37) ไบซันชี^{a)}
- (38) แผ่นรักษาระยะ (มีในชุด "วงเขาะ")
- (39) ปลอกสวมสำหรับลอกแบบ

a) อุปกรณ์ประกอบที่แสดงภาพหรืออธิบายไม่รวมอยู่ในการจัดส่งมาตรฐาน
กรุณาดูอุปกรณ์ประกอบทั้งหมดในรายการแสดงอุปกรณ์ประกอบของเรา

ข้อมูลทางเทคนิค

เครื่องเจาะร่อง	GOF 130	
หมายเลขสินค้า		3 601 FB7 0..
กำลังไฟฟ้าที่กัตตันเข้า	วัตต์	1300
ความเร็วรอบเดินตัวเปล่า	min ⁻¹	11000-28000
การตั้งความเร็วรอบล่วงหน้า		●
ระบบอิเล็กทรอนิกส์ที่		●
การเชื่อมต่อสำหรับการดูดฝุ่นออก		●
แหวนรัดก้านเครื่องมือที่เข้ากันได้	มม.	6/8
	นิ้ว	¼
ขั้นฐานเขาะ	มม.	55

เครื่องเจาะร่อง		GOF 130
น้ำหนักตามระเบียบการ EPTA-Procedure 01:2014	กก.	3.5
ระดับความปลอดภัย		□/

ค่าที่ให้นี้ใช้ได้กับแรงดันไฟฟ้าอิมินอล [U] 230 โวลต์ค่าเหล่านี้ อาจเปลี่ยนแปลงไปสำหรับแรงดันไฟฟ้าที่แตกต่างกัน และโมเดลที่ผลิตสำหรับเฉพาะประเทศ

การติดตั้ง

▶ ดึงปลั๊กไฟออกจากเต้าเสียบก่อนปรับแต่งเครื่อง

ใส่ใบเลื่อย (ดูภาพประกอบ A)

▶ ขอ

แนะนำให้สวมถุงมือป้องกันอันตรายเมื่อใส่หรือเปลี่ยนเครื่องมือเจาะ

เครื่องมือเจาะจะมีให้เลือกหลายรูปแบบและคุณภาพต่าง ๆ กันมากมาย ทั้งขึ้นอยู่กับวัตถุประสงค์การใช้งาน

เครื่องมือเจาะทำจากเหล็กกล้าความเร็วสูง (HSS)

เหมาะสำหรับเจาะวัสดุอ่อน ต. ย. เช่น ไม้เนื้ออ่อน และพลาสติก

เครื่องมือเจาะเลี่ยมปลายด้วยคาร์ไบด์ (HM) เหมาะอย่างยิ่งสำหรับเจาะวัสดุแข็งและวัสดุที่กัดกร่อน ต. ย. เช่น ไม้เนื้อแข็ง และอะลูมิเนียม

หาซื้อเครื่องมือเจาะของแทจากรายการอุปกรณ์ประกอบของ บอช ที่มีให้เลือกมากมายได้จากร้านขายอุปกรณ์เฉพาะด้าน ใช้เฉพาะเครื่องมือเจาะที่สะอาดและมีสภาพสมบูรณ์เท่านั้น

- พับตัวป้องกันขอบ (5) ลง
- กดปุ่มล็อกแกน (3) และกดค้างไว้ ถ้าจำเป็นให้ใช้มือหมุน แกนมอเตอร์จนเข้าล็อก
- คลายน็อตยึด (21) ด้วยประแจปากตาย (22) (ความกว้างของประแจ 19 มม.) โดยหมุนไปตามทิศทางหมุน ⚙
- ใส่ใบเลื่อยเข้าในแหวนรัดก้านเครื่องมือฝอ ต้องเลื่อนใบเลื่อยให้มีระยะอย่างน้อย 20 มม. เข้าในแหวนรัดก้านเครื่องมือ
- ชันคลายน็อตยึด (21) ด้วยประแจปากตาย (22) (ความกว้างของประแจ 19 มม.) โดยหมุนไปตามทิศทางหมุน ⚙ กดปุ่มล็อกแกน (3)
- พับตัวป้องกันขอบ (5) ขึ้น

▶ ห้ามใช้หัวกัดที่มีเส้นผ่านศูนย์กลางมากกว่า 50 มม. โดยไม่ต้องติดตั้งปลอกสวมสำหรับลอกแบบ เครื่องมือเจาะนี้ผ่านโมพอดกับแผ่นฐาน

▶ อย่าขันน็อตยึดพร้อมแหวนรัดก้านเครื่องมือเข้าจนแน่น โดยไม่มีเครื่องมือเจาะใส่อยู่ มิฉะนั้นแหวนรัดอาจชำรุดได้

การดูแล/ขี้อื้อ

ฝุ่นที่ได้จากวัสดุ เช่น เคลือบผิวที่มีสารตะกั่ว ไม้ยางประเภท แร่ธาตุ และโลหะ อาจเป็นอันตรายต่อสุขภาพ การ ลัมผัสหรือการหายใจเอาฝุ่นเข้าไปอาจทำให้เกิดปฏิกิริยาแพ้ ฝุ่น และ/หรือน้ำมาซึ่งโรคติดเชื้อระบบหายใจแก่ผู้ใช้เครื่องมือหรือผู้ที่ยืนอยู่ใกล้เคียง

ฝุ่นบางประเภท เช่น ฝุ่นไม้โอ๊ก หรือไม้บีช นับเป็นสารที่ทำให้เกิดมะเร็ง โดยเฉพาะอย่างยิ่งเมื่อผสมกับสารเติมแต่งเพื่อบำบัดไม้ (โครเมต ผลิตภัณฑ์รักษาเนื้อไม้) สำหรับวัสดุที่มีแอลเบสทอลตองให้ผู้ใช้สวมหน้ากากทำงานเท่านั้น

- ใช้ระบบดูดฝุ่นออกที่เหมาะสมกับประเภทวัสดุ มากเท่าที่จะทำได้
- จัดสถานที่ทำงานให้มีการระบายอากาศที่ดี
- ขอแนะนำให้สวมหน้ากากป้องกันการติดเชื้อที่มีระดับ-ใส่กรอง P2

ปฏิบัติตามกฎข้อบังคับสำคัญอื่น ๆ ที่เกี่ยวกับวัสดุซึ่งงานที่บังคับใช้ในประเทศของท่าน

▶ ป้องกันการสะสมของฝุ่นในสถานที่ทำงาน

ฝุ่นสามารถถูกใหม่อย่างง่ายดาย

การประกอบข้อต่อท่อดูดออก

สามารถติดตั้งข้อต่อดูด (24) ให้อยู่ด้านหน้าหรือด้านหลังได้ด้วยส่วนต่อสายยาง สำหรับการประกอบด้วยส่วนต่อสายยางด้านหน้า ก่อนอื่นต้องถอดตัวป้องกันขอบ (5) ยึดข้อต่อดูด (24) ด้วยสกรูตอก 2 ตัว (25) กับแผ่นฐาน (6) เพื่อให้ท่อฝุ่นออกได้ดีที่สุด ต้องทำความสะอาดข้อต่อท่อดูดออก (24) เป็นประจำ

การต่ออุปกรณ์ดูดฝุ่น (ดูภาพประกอบ B)

เสียบข้อต่อท่อดูดออก (Ø 35 มม.) (23) (อุปกรณ์ประกอบ) บนข้อต่อดูดที่ติดตั้ง เชื่อมต่อท่อดูดฝุ่น (23) เข้ากับเครื่องดูดฝุ่น (อุปกรณ์ประกอบ)

เครื่องนี้สามารถต่อโดยตรงเข้ากับเต้าเสียบของเครื่องดูดฝุ่นสารพัดประโยชน์ของ Bosch ที่มีการควบคุมการสตาร์ท เครื่องทางไกล เครื่องดูดฝุ่นจะเริ่มทำงานโดยอัตโนมัติเมื่อเปิดเครื่อง

เครื่องดูดฝุ่นต้องเหมาะสำหรับใช้ดูดวัสดุที่จะทำงานในกรณีดูดฝุ่นแห้งที่เป็นอันตรายต่อสุขภาพอย่างยิ่งหรืออาจก่อให้เกิดมะเร็งได้ ให้ใช้เครื่องดูดฝุ่นพิเศษ

ติดตั้งตัวป้องกันขอบ (คุณภาพประกอบ C)

ใส่ตัวป้องกันขอบ (5) ทางด้านหน้าเข้าในตัวนำ โดยให้ล๊อคเข้า หากต้องการถอด ให้ดึงตัวป้องกันขอบด้านข้างและดึงไปทางด้านหน้า

การปฏิบัติงาน

- ▶ **ให้สังเกตแรงดันไฟฟ้า! แรงดันไฟฟ้าจากแหล่งจ่ายไฟฟ้าต้องมีค่าตรงกับค่าแรงดันไฟฟ้าที่ระบุไว้บนแผ่นป้ายยึดติดเครื่อง เครื่องมือไฟฟ้าที่มีเครื่องหมาย 230 โวลต์ สามารถใช้งานกับ 220 โวลต์ ได้ด้วย**

การเริ่มต้นปฏิบัติงาน

การเลือกความเร็วรอบล่วงหน้า

คุณสามารถหมุนปุ่มปรับความเร็วรอบล่วงหน้า (20) เพื่อเลือกความเร็วรอบที่ต้องการได้แม้ขณะเครื่องกำลังเดินอยู่

- 1-2 ความเร็วรอบต่ำ
- 3-4 ความเร็วรอบปานกลาง
- 5-6 ความเร็วรอบสูง

ในตารางต่อไปนี้เป็นคำแนะนำ ความเร็วรอบที่ต้องใช้ขึ้นอยู่กับประเภทวัสดุและเงื่อนไขการทำงาน และสามารถกำหนดได้จากตารางทดลองฝึกปฏิบัติ

วัสดุ	เส้นผ่าศูนย์กลาง เครื่องเจาะ [มม.]	ตำแหน่งไม่หมุน
ไม้เนื้อแข็ง (ไม้บีช)	4-10	5-6
	12-20	3-4
	22-40	1-2
ไม้เนื้ออ่อน (ไม้สน)	4-10	5-6
	12-20	3-6
	22-40	1-3
ซีปบอร์ด	4-10	3-6
	12-20	2-4
	22-40	1-3
พลาสติก	4-15	2-3
	16-40	1-2
อะลูมิเนียม	4-15	1-2
	16-40	1

การเปิด-ปิดเครื่อง

ปรับตั้งความลึกการเจาะก่อนเปิด/ปิดสวิตช์

เปิดสวิตช์เครื่องมือไฟฟ้า ในขั้นแรกให้กดปุ่มล๊อค (1) จากนั้นให้กดสวิตช์เปิด/ปิด (19) และกดค้างไว้

ล๊อคสวิตช์เปิด-ปิด (19) ให้กดปุ่มล๊อค (1) ใหม่อีกครั้ง ปิดสวิตช์ โดยปล่อยสวิตช์เปิด/ปิด (19) หากท่านใช้ปุ่มล๊อค (1) เพื่อล๊อคสวิตช์เปิด/ปิด (19) ไว้ ให้กดสวิตช์เปิด/ปิด (19) ชั่วครู่ และปล่อย

ระบบอิเล็กทรอนิกส์คงที่

ระบบควบคุมอิเล็กทรอนิกส์คงที่จะรักษาความเร็วรอบขณะเดินเครื่องตัวเปล่าและขณะใช้งานให้มีค่าเกือบคงที่ และทำให้ได้ประสิทธิภาพการทำงานที่สม่ำเสมอ

ปรับความลึกในการเจาะ (คุณภาพประกอบ D)

ปรับความลึกการเจาะ เมื่อเครื่องเปิดสวิตช์อยู่เท่านั้น

สำหรับการปรับหยาบความลึกการเจาะ ให้ปฏิบัติดังต่อไปนี้:

- วางเครื่องมือไฟฟ้าที่ใส่เครื่องมือเจาะแล้วลงบนชิ้นงาน
 - ปรับก้านวัดระดับ (9) ให้อยู่ที่ระดับต่ำสุด ก้านวัดระดับล๊อคเข้าจนสัมผัสได้
 - คลายน็อตปิกที่ก้านวัดความลึก (11) โดยให้ก้านวัดความลึก (13) เคลื่อนไหวได้อย่างอิสระ
 - กดคันหนียสำหรับตัวล๊อคความลึกในการเจาะ (16) ในทิศทางการหมุน ❶ และลดเครื่องเจาะให้ลงอย่างช้าๆ จนกว่าเครื่องเจาะ (18) สัมผัสกับพื้นผิวชิ้นงาน ปล่อยคันหนียสำหรับตัวล๊อคความลึกในการเจาะ (16) อีกครั้ง เพื่อกำหนดความลึกในการเจาะนี้ไว้ กดคันหนียสำหรับตัวล๊อคความลึกในการเจาะ (16) ในทิศทางการหมุน ❷ เพื่อยึดคันหนียถาวร
 - กดก้านวัดความลึก (13) ลงจนกระทั่งอยู่ที่ระดับ (9) ปรับแถบเลื่อนที่มีเครื่องหมายบ่งชี้ (12) ไปที่ตำแหน่ง 0 ที่สเกลความลึกในการเจาะ (14)
 - ปรับก้านวัดความลึก (13) ให้ได้ความลึกที่ต้องการและดึงนอตปิกที่ด้านวัดความลึก (11) ให้แน่น ตรวจสอบให้แน่ใจว่า แถบเลื่อนที่มีเครื่องหมายบ่งชี้ (12) ไม่คลาดเคลื่อน
 - กดคันหนียสำหรับตัวล๊อคความลึกในการเจาะ (16) ในทิศทางการหมุน ❶ และเลื่อนเครื่องมือเจาะไปยังตำแหน่งบนสุด
- หากความลึกในการเจาะเพิ่มขึ้น ท่านควรดำเนินการหลายขั้นตอนโดยรักษาให้มีเศษเสี้ยวลดลง ท่านสามารถใช้ด้านวัดระดับ (9) เพื่อแบ่งวัดระดับการเจาะ ปรับความลึกในการเจาะตามต้องการให้อยู่ที่ระดับต่ำสุดที่ก้านวัดระดับและเลือกระดับที่สูงขึ้นเมื่อดำเนินการขั้นตอนแรก

ข้อแนะนำในการทำงาน

- ▶ **ป้องกันไม่ให้เครื่องมือเจาะถูกกระทบกระแทก**
- ▶ **ดึงปลั๊กไฟออกจากเต้าเสียบก่อนปรับแต่งเครื่อง**

ทิศทางการบินและกระบวนการเช่า (รูปภาพประกอบ E)

- ▶ **ต้องเช่าหาคือทิศทางหมุนของเครื่องมือเช่า (18) เสมอ (เคลื่อนที่สวนทาง)** หากเช่าไปในทิศทางเดียวกับ การหมุนของเครื่องมือเช่า (เคลื่อนที่ทางเดียวกันไปข้างหน้า) เครื่องมือไฟฟ้าจะถูกดูดออกจากมือ

ปรับตั้งความลึกการตัดที่ต้องการ

วางเครื่องมือไฟฟ้าที่ใส่เครื่องมือเช่าแล้วลงบนชิ้นงานและ เปิดสวิตช์เครื่องมือไฟฟ้า

กดคันหนึบสำหรับตัวล็อคความลึกในการเช่า (16) ลงและ ลดเครื่องเช่าหลักลงอย่างช้าๆ จนกว่าได้ความลึกในการเช่าตามต้องการ ปล่อยคันหนึบสำหรับตัวล็อคความลึกในการเช่า (16) อีกครั้ง เพื่อกำหนดความลึกในการเช่านี้ไว้ กดคันหนึบสำหรับตัวล็อคความลึกในการเช่า (16) ขึ้น เพื่อ ยึดคันหนึบถาวร

ทำการเช่าโดยบ่อนเครื่องอย่างสม่ำเสมอ

หลังสิ้นสุดกระบวนการเช่า ให้นำเครื่องเช่าแบบไป ยังตำแหน่งบนสุด

ปิดสวิตช์เครื่องมือไฟฟ้า

การเช่าด้วยแผงช่วยนำทาง (รูปภาพประกอบ F)

สำหรับการตัดชิ้นงานขนาดใหญ่ เช่น สำหรับการเช่าร่อง ท่านสามารถยึดแผ่นหรือแถบเพื่อเป็นแผงช่วยนำทางที่ชิ้นงาน และสอดนำเครื่องเช่าหลักไปตามแผงช่วยนำทาง สอด เครื่องเช่าที่ด้านที่มีลักษณะราบเรียบของแผ่นนำไปตามแผงช่วยนำทาง

การเช่าขอบหรือรูปร่าง

สำหรับการเช่าขอบหรือรูปร่างโดยไม่ใช้แผงกำหนดแนว ขนาน เครื่องมือเช่าจะต้องมีหมุดนำร่องหรือดัลบลูก สิ้นประกอบติด

จับเครื่องมือที่เปิดสวิตช์ทำงานเข้าหาชิ้นงานทางด้าน ข้างโดยให้หมุดนำร่องหรือดัลบลูกสิ้นของเครื่องมือเช่าแตะ กับขอบชิ้นงานที่จะเช่า

เคลื่อนนำเครื่องมือไฟฟ้าเทียบไปตามขอบชิ้นงาน ตรวจสอบ ให้แน่ใจว่าเครื่องมือวางอยู่บนชิ้นงานที่มุมที่ถูกต้องการ ออกแรงดันมากเกินไปอาจทำให้ขอบของชิ้นงานเสียหายได้

การเช่าด้วยแผงกำหนดแนวขนาน

(รูปภาพประกอบ G-H)

เลื่อนแผงกำหนดแนวขนาน (27) พร้อมก้านนำ (26) เข้าใน แผ่นฐาน (6) และดึงด้วยนอตปิก (4) ให้ได้ขนาดตาม ต้องการ

เคลื่อนนำเครื่องมือไฟฟ้าที่เปิดสวิตช์อยู่ไปข้างหน้า โดยบ่อนเครื่องอย่างสม่ำเสมอ และกดลงด้านข้างบนแผง กำหนดแนวขนานไปตามขอบชิ้นงาน

การเช่าแผงง (รูปภาพประกอบ I-J)

ใช้แผงกำหนดแนวขนาน (27) โดยให้พื้นผิวหยุดชี้ขึ้น เลื่อนแผงกำหนดแนวขนาน (27) พร้อมก้านนำ (26) เข้าใน แผ่นฐาน (6) และดึงด้วยนอตปิก (4) ให้ได้ขนาดตาม ต้องการ

ยึดหมุดปรับศูนย์ (28) ด้วยด้วยนอตปิก (29) ผ่านรูที่แผง กำหนดแนวขนาน (27)

เสียบหมุดปรับศูนย์ (28) เข้าในกึ่งกลางที่ทำเครื่องหมายไว้ ของแผงงและดำเนินการกระบวนการเช่าโดยใช้แรงดันเลื่อน อย่างสม่ำเสมอ

การเช่าด้วยก้านโค้ง (รูปภาพประกอบ K-L)

เลื่อนแผงกำหนดแนวขนาน (27) พร้อมก้านนำ (26) เข้าใน แผ่นฐาน (6) และดึงด้วยนอตปิก (4) ให้ได้ขนาดตาม ต้องการ

ยึดก้านโค้งด้วยม้วนน้ำที่ติดตั้งอยู่ (30) ผ่านรูที่แผงกำหนด แนวขนาน (27)

เคลื่อนนำเครื่องมือไฟฟ้าไปข้างหน้าโดยดันบริเวณด้าน ข้างอย่างสม่ำเสมอไปตามขอบชิ้นงาน

การเช่าด้วยวงเช่า (รูปภาพประกอบ M)

สำหรับงานเช่าวง ท่านสามารถใช้วงเช่า/อะแดปเตอร์ร่าง นำ (31) ติดตั้งวงเช่าตามที่แสดงในภาพ

ขันสลกรูปรับศูนย์ (36) เข้าในเกลียวในวงเช่า วางปลายสลกรู ที่กึ่งกลางของส่วนโค้งวงกลมที่ต้องการเช่า ตรวจสอบให้ แน่ใจว่า ปลายสลกรูยึดเข้าไปในพื้นผิววัสดุ

ปรับรัศมีที่ต้องการโดยเลื่อนวงเช่าเข้าอย่างคร่าวๆ และ หมุนขันนอตปิก (33) และ (34) ให้แน่น

ท่านสามารถปรับความยาวที่แน่นอนได้ด้วยปุ่มหมุน (35) หลังจากคลายขันนอตปิก (34) หนึ่งรอบหมุนเท่ากับแนวการ ปรับ 2.0 มม. ของขีดที่ปุ่มหมุน (35) เท่ากับการเปลี่ยนแนว การปรับ 0.1 มม.

เลื่อนเครื่องมือไฟฟ้าที่เปิดสวิตช์อยู่ด้วยมือขวา (2) และด้าม สำหรับวงเช่า (32) เหนือชิ้นงาน

การเช่าด้วยรางนำ (รูปภาพประกอบ N)

ท่านสามารถใช้รางนำ (37) ดำเนินงานตามเส้นตรง

ในการปรับสมดุลความสูง ท่านต้องติดตั้งแผ่นรักษา ระยะ (38)

ติดตั้งวงเช่า/อะแดปเตอร์ร่างนำ (31) ตามที่แสดงในภาพ ยึดรางนำ (37) ด้วยเครื่องมือซึ่งที่เหมาะสม เช่น แคลมป์ยึด วัสดุบนชิ้นงาน ใส่เครื่องมือไฟฟ้าพร้อมอะแดปเตอร์ร่างนำที่ ติดตั้ง (31) บนรางนำ

การเชาะด้วยปลอกสวมสำหรับลอคแบบ (ดูภาพประกอบ O-P)

ปลอกสวมสำหรับลอคแบบ (39)

ทำให้สามารถถ่ายถอดเส้นโคจร

ร่างจากแพทเทิร์นหรือแผ่นลอคกลายลงบนชิ้นงานได้

เลือกปลอกสวมสำหรับลอคแบบที่เหมาะสม ทั้งนี้ขึ้นอยู่กับความหนาของแผ่นลอคกลายหรือแพทเทิร์น เนื่องจากปลอกสวมสำหรับลอคแบบมีความสูงยื่นออกมา

แผ่นลอคกลายจึงต้องมีความหนาน้อยที่สุด 8 มม.

เลื่อนคานปลดล็อก (17) และใส่ปลอกสวมสำหรับลอคแบบ (39) จากด้านล่างเข้าไปในแผ่นฐาน (6) ต้องสัมผัสได้ว่าลูกเบี้ยวเข้ารหัสล็อกเข้าไปในช่องปลอกสวมสำหรับลอคแบบ

▶ เลือกเครื่องมือเชาะที่มีขนาดเส้นผ่าศูนย์กลางเล็กกว่าเส้นผ่าศูนย์กลางคานในช่องปลอกสวมสำหรับลอคแบบ

สำหรับการเชาะด้วยปลอกสวมสำหรับลอคแบบ (39)

ให้ปฏิบัติตามดังต่อไปนี้:

- เคลื่อนนำเครื่องมือไฟฟ้าที่เปิดสวิตช์ที่มีปลอกสวมสำหรับลอคแบบไปยังแผ่นลอคกลาย
- กดคันทันสำหรับตัวล็อกความลึกในการเชาะ (16) ลงและลดเครื่องเชาะหลักลงอย่างช้าๆ จนกว่าได้ความลึกในการเชาะตามต้องการ ปล่อยคันทันสำหรับตัวล็อกความลึกในการเชาะ (16) อีกครั้ง เพื่อกำหนดความลึกในการเชาะนี้ไว้ กดคันทันสำหรับตัวล็อกความลึกในการเชาะ (16) ขึ้น เพื่อยืดคันทันถาวร
- จับเครื่องพร้อมปลอกสวมสำหรับลอคแบบที่ยื่นออกมาเคลื่อนไปตามแผ่นลอคกลายโดยกดลงด้านข้างเล็กน้อย

การบำรุงรักษาและการบริการ

การบำรุงรักษาและการทำความสะอาด

- ▶ ดึงปลั๊กไฟออกจากเต้าเสียบก่อนปรับแต่งเครื่อง
 - ▶ เพื่อให้ทำงานได้อย่างถูกต้องและปลอดภัย ต้องรักษาเครื่องและช่องระบายอากาศให้สะอาดอยู่เสมอ
 - ▶ หากใช้เครื่องทำงานหนัก ให้ใช้อุปกรณ์ดูดฝุ่นออกเท่าที่จะทำได้เสมอ ทำความสะอาดช่องระบายอากาศเป็นประจำและติดตั้งเครื่องตัดไฟรั่ว (PRCD) เมื่อทำงานกับโลหะ ฝุ่นซึ่งมีคุณสมบัตินำความร้อนและกระแสไฟฟ้าอาจสะสมอยู่ข้างในเครื่องมือไฟฟ้า ฉนวนป้องกันทั้งหมดของเครื่องมือไฟฟ้าอาจได้รับผลเสีย
- หากจำเป็นต้องเปลี่ยนสายไฟฟ้า ต้องส่งเครื่องให้ **Bosch** หรือศูนย์บริการหลังการขายที่ได้รับมอบหมายสำหรับเครื่องมือไฟฟ้า **Bosch** เปลี่ยนให้ ทั้งนี้เพื่อหลีกเลี่ยงอันตราย

การบริการหลังการขายและการให้คำปรึกษาการใช้งาน

ศูนย์บริการหลังการขายของเรายินดีตอบคำถามของท่านที่เกี่ยวกับการบำรุงรักษาและการซ่อมแซมผลิตภัณฑ์รวมทั้งเรื่องอะไหล่ ภาพเขียนแบบการประกอบและข้อมูลเกี่ยวกับอะไหล่ กรุณาดูใน: **www.bosch-pt.com**

ทีมงานที่ปรึกษาของ บอช ยินดีให้ข้อมูลเกี่ยวกับผลิตภัณฑ์ของเราและอุปกรณ์ประกอบต่างๆ

เมื่อต้องการสอบถามและสั่งซื้ออะไหล่ กรุณาแจ้งหมายเลขสินค้า 10 หลักบนแผ่นป้ายรุ่นของผลิตภัณฑ์ทุกครั้ง

ไทย

ไทย บริษัท โรเบิร์ต บอช จำกัด

เอพวยไอ เซ็นเตอร์ อาคาร 1 ชั้น 5

เลขที่ 2525 ถนนพระราม 4

แขวงคลองเตย เขตคลองเตย กรุงเทพฯ 10110

โทร: +66 2012 8888

แฟกซ์: +66 2064 5800

www.bosch.co.th

ศูนย์บริการซ่อมและฝึกอบรม บอช

อาคาร ลาซาลทาวเวอร์ ชั้น G ห้องเลขที่ 2

บ้านเลขที่ 10/11 หมู่ 16

ถนนศรีนครินทร์ ตำบลบางแก้ว อำเภอบางพลี

จังหวัดสมุทรปราการ 10540

ประเทศไทย

โทรศัพท์ 02 7587555

โทรสาร 02 7587525

สามารถดูที่อยู่ศูนย์บริการอื่นๆ ได้ที่:

www.bosch-pt.com/serviceaddresses

การกำจัดขยะ

เครื่องมือไฟฟ้า อุปกรณ์ประกอบ และที่บ่อ ต้องนำไปแยกประเภทวัสดุเพื่อการรีไซเคิลที่เป็นมิตรต่อสิ่งแวดล้อม



อย่าทิ้งเครื่องมือไฟฟ้าลงในขยะครัวเรือน!

Bahasa Indonesia

Petunjuk Keselamatan

Petunjuk keselamatan umum untuk perkakas listrik

⚠ PERINGATAN Baca semua peringatan, petunjuk, ilustrasi, dan spesifikasi

keselamatan yang diberikan bersama perkakas listrik ini. Kesalahan dalam menjalankan petunjuk di bawah ini dapat mengakibatkan sengatan listrik, kebakaran, dan/atau cedera serius.

Simpanlah semua peringatan dan petunjuk untuk penggunaan di masa mendatang.

Istilah "perkakas listrik" dalam peringatan mengacu pada perkakas listrik yang dioperasikan dengan listrik (menggunakan kabel) atau perkakas listrik yang dioperasikan dengan baterai (tanpa kabel).

Keamanan tempat kerja

- ▶ **Jaga kebersihan dan pencahayaan area kerja.** Area yang berantakan atau gelap dapat memicu kecelakaan.
- ▶ **Jangan mengoperasikan perkakas listrik di lingkungan yang dapat memicu ledakan, seperti adanya cairan, gas, atau debu yang mudah terbakar.** Perkakas listrik dapat memancarkan bunga api yang kemudian mengakibatkan debu atau uap terbakar.
- ▶ **Jauhkan dari jangkauan anak-anak dan pengamat saat mengoperasikan perkakas listrik.** Gangguan dapat menyebabkan hilangnya kendali.

Keamanan listrik

- ▶ **Steker perkakas listrik harus sesuai dengan stopkontak. Jangan pernah memodifikasi steker. Jangan menggunakan steker adaptor bersama dengan perkakas listrik yang terhubung dengan sistem grounding.** Steker yang tidak dimodifikasi dan stopkontak yang cocok akan mengurangi risiko sengatan listrik.
- ▶ **Hindari kontak badan dengan permukaan yang terhubung dengan sistem grounding, seperti pipa, radiator, kompor, dan lemari es.** Terdapat peningkatan risiko terjadinya sengatan listrik jika badan Anda terhubung dengan sistem grounding.
- ▶ **Perkakas listrik tidak boleh terpapar hujan atau basah.** Air yang masuk ke dalam perkakas listrik menambah risiko terjadinya sengatan listrik.
- ▶ **Jangan menyalahgunakan kabel. Jangan gunakan kabel untuk membawa, menarik, atau melepas steker perkakas listrik. Jauhkan kabel dari panas, minyak, tepi yang tajam, atau komponen yang bergerak.** Kabel listrik yang rusak atau tersangkut menambah risiko terjadinya sengatan listrik.
- ▶ **Saat mengoperasikan perkakas listrik di luar ruangan, gunakan kabel ekstensi yang sesuai untuk penggunaan di luar ruangan.** Penggunaan kabel yang

cocok untuk pemakaian di luar ruangan mengurangi risiko terjadinya sengatan listrik.

- ▶ **Jika perkakas listrik memang harus dioperasikan di tempat yang lembap, gunakan pemutus arus listrik residu (RCD).** Penggunaan RCD akan mengurangi risiko terjadinya sengatan listrik.

Keselamatan personel

- ▶ **Tetap waspada, perhatikan aktivitas yang sedang dikerjakan dan gunakan akal sehat saat mengoperasikan perkakas listrik. Jangan gunakan perkakas listrik saat mengalami kelelahan atau di bawah pengaruh narkoba, alkohol, atau obat-obatan.** Jika perkakas listrik dioperasikan dengan daya konsentrasi yang rendah, hal tersebut dapat menyebabkan cedera serius.
- ▶ **Gunakan peralatan pelindung diri. Selalu kenakan pelindung mata.** Penggunaan perlengkapan pelindung seperti penutup telinga, helm, sepatu anti licin, dan masker debu akan mengurangi cedera.
- ▶ **Hindari start yang tidak disengaja. Pastikan switch berada di posisi off sebelum perkakas listrik dihubungkan ke sumber daya listrik dan/atau baterai, diangkat, atau dibawa.** Membawa perkakas listrik dengan jari menempel pada tombol atau perkakas listrik dalam keadaan hidup dapat memicu kecelakaan.
- ▶ **Singkirkan kunci penyetal atau kunci pas sebelum menghidupkan perkakas listrik.** Perkakas atau kunci pas yang masih menempel pada komponen perkakas listrik yang berputar dapat menyebabkan cedera.
- ▶ **Jangan melampaui batas. Berdirilah secara mantap dan selalu jaga keseimbangan.** Hal ini akan memberikan kontrol yang lebih baik terhadap perkakas listrik pada situasi yang tak terduga.
- ▶ **Kenakan pakaian dengan wajar. Jangan mengenakan perhiasan atau pakaian yang longgar. Jauhkan rambut dan pakaian dari komponen yang bergerak.** Pakaian yang longgar, rambut panjang, atau perhiasan dapat tersangkut dalam komponen yang bergerak.
- ▶ **Jika disediakan perangkat untuk sambungan pengisapan debu dan alat pengumpulan, pastikan perangkat tersebut terhubung dan digunakan dengan benar.** Penggunaan alat pengumpulan dapat mengurangi bahaya yang disebabkan oleh debu.
- ▶ **Jangan berpuas diri dan mengabaikan prinsip keselamatan karena terbiasa mengoperasikan perkakas.** Tindakan yang kurang hati-hati dapat mengakibatkan cedera serius dalam waktu sepersekian detik.

Penggunaan dan pemeliharaan perkakas listrik

- ▶ **Jangan memaksakan perkakas listrik. Gunakan perkakas listrik yang sesuai untuk pekerjaan yang dilakukan.** Perkakas listrik yang sesuai akan bekerja dengan lebih baik dan aman sesuai tujuan penggunaan.
- ▶ **Jangan gunakan perkakas listrik dengan switch yang tidak dapat dioperasikan.** Perkakas listrik yang

switchnya yang tidak berfungsi dapat menimbulkan bahaya dan harus diperbaiki.

- ▶ **Lepaskan steker dari sumber listrik dan/atau lepas baterai, jika dapat dilepaskan dari perkakas listrik sebelum menyatel, mengganti aksesoris, atau menyimpan perkakas listrik.** Tindakan preventif akan mengurangi risiko menghidupkan perkakas listrik secara tidak disengaja.
- ▶ **Jauhkan dan simpan perkakas listrik dari jangkauan anak-anak dan jangan biarkan orang-orang yang tidak mengetahui cara menggunakan perkakas listrik, mengoperasikan perkakas listrik.** Perkakas listrik dapat membahayakan jika digunakan oleh orang-orang yang tidak terlatih.
- ▶ **Lakukan pemeliharaan perkakas listrik dan aksesoris. Periksa komponen yang bergerak apabila tidak lurus atau terikat, kerusakan komponen, dan kondisi lain yang dapat mengganggu pengoperasian perkakas listrik. Apabila rusak, perbaiki perkakas listrik sebelum digunakan.** Kecelakaan sering terjadi karena perkakas listrik tidak dirawat dengan baik.
- ▶ **Jaga ketajaman dan kebersihan alat.** Alat pemotong dengan pisau pemotong yang tajam dan dirawat dengan baik tidak akan mudah tersangkut dan lebih mudah dikendalikan.
- ▶ **Gunakan perkakas listrik, aksesoris, dan komponen perkakas dll sesuai dengan petunjuk ini, dengan mempertimbangkan kondisi kerja dan pekerjaan yang akan dilakukan.** Penggunaan perkakas listrik untuk tujuan berbeda dari fungsinya dapat menyebabkan situasi yang berbahaya.
- ▶ **Jaga gagang dan permukaan genggam agar tetap kering, bersih, dan bebas dari minyak dan lemak.** Gagang dan permukaan genggam yang licin tidak menjamin keamanan kerja dan kontrol alat yang baik pada situasi yang tidak terduga.

Servis

- ▶ **Minta teknisi berkualifikasi untuk menyervis perkakas listrik dengan hanya menggunakan suku cadang yang identik.** Dengan demikian, hal ini akan memastikan keamanan perkakas listrik.

Petunjuk keselamatan untuk router

- ▶ **Pegang perkakas listrik hanya pada permukaan berisolator karena pemotong dapat bersentuhan dengan kabelnya sendiri.** Memotong kabel yang dialiri listrik dapat menyebabkan bagian logam perkakas listrik yang terbuka dialiri listrik, sehingga berisiko mengakibatkan sengatan listrik pada pengguna perkakas listrik.
- ▶ **Gunakan penjepit atau cara lain yang praktis untuk mengamankan dan menopang benda kerja pada permukaan yang stabil.** Benda kerja dapat goyah atau kehilangan kendali jika dipegang dengan tangan atau ditahan dengan tubuh Anda.

- ▶ **Kecepatan putaran pisau frais yang diperbolehkan harus setidaknya sebesar kecepatan putaran maksimal yang tercantum pada perkakas listrik.** Pisau frais yang berputar lebih cepat dari yang diperbolehkan dapat patah dan beterbangan.
- ▶ **Alat pemotong atau aksesoris lainnya harus terpasang dengan tepat pada dudukan (collet chuck) perkakas listrik Anda.** Alat kerja yang tidak terpasang dengan tepat pada dudukannya dapat berputar secara tidak stabil, bergetar sangat keras, dan dapat mengakibatkan hilang kendali.
- ▶ **Hidupkan terlebih dahulu perkakas listrik, kemudian perkakas listrik didekatkan pada benda kerja.** Jika tidak, terdapat bahaya sentakan jika alat kerja tersangkut dalam benda yang dikerjakan.
- ▶ **Jangan mendekatkan tangan Anda ke area frais dan pada frais.** Pegang gagang tambahan dengan kedua tangan. Jika kedua tangan memegang mesin frais, kedua tangan tidak akan terluka oleh pisau frais.
- ▶ **Jangan pernah melakukan pemotongan (frais) pada benda logam, paku, atau sekrup.** Pisau frais dapat rusak dan mengakibatkan getaran yang keras.
- ▶ **Gunakanlah alat detektor logam yang cocok untuk mencari kabel dan pipa yang tidak terlihat atau hubungi perusahaan pengadaan setempat.** Sentuhan dengan kabel-kabel listrik dapat mengakibatkan api dan kontak listrik. Pipa gas yang dirusak dapat mengakibatkan ledakan. Pipa air yang dirusak mengakibatkan kerusakan barang-barang atau dapat mengakibatkan kontak listrik.
- ▶ **Jangan menggunakan pisau frais yang tumpul atau rusak.** Pisau frais yang tumpul atau rusak mengakibatkan gesekan yang lebih besar, dapat tersangkut, dan mengakibatkan ketidakseimbangan.
- ▶ **Sebelum meletakkan perkakas listrik, tunggulah hingga perkakas berhenti berputar.** Alat kerja dapat tersangkut dan menyebabkan perkakas listrik tidak dapat dikendalikan.
- ▶ **Pegang erat perkakas listrik dengan kedua tangan selama mengoperasikannya dan pastikan Anda berdiri di posisi aman.** Gunakan perkakas listrik dengan kedua tangan secara hati-hati.

Spesifikasi produk dan performa



Bacalah semua petunjuk keselamatan dan petunjuk penggunaan. Kesalahan dalam menjalankan petunjuk keselamatan dan petunjuk penggunaan dapat mengakibatkan kontak listrik, kebakaran, dan/atau luka-luka

yang berat.

Perhatikan ilustrasi yang terdapat pada sisi sampul panduan pengoperasian.

Tujuan penggunaan

Perkakas listrik ini cocok untuk melakukan milling/copy milling alur, pinggiran, profil, dan slot di kayu, plastik, dan bahan ringan pada dudukan solid.

Logam nonbesi juga dapat dikerjakan dengan mengurangi kecepatan putaran dan dengan pisau frais yang sesuai.

Ilustrasi komponen

Nomor-nomor dari bagian-bagian perkakas pada gambar sesuai dengan gambar perkakas listrik pada halaman bergambar.

- (1) Tombol pengaman untuk tombol on/off
- (2) Gagang kanan (permukaan genggam berisolator)
- (3) Tombol pengunci spindel
- (4) Baut kupu-kupu untuk batang pemandu mistar paralel (2x)
- (5) Pelindung serpihan
- (6) Pelat dasar
- (7) Alas peluncur
- (8) Dudukan untuk batang pemandu mistar paralel
- (9) Pembatas level
- (10) Lengan pelindung
- (11) Baut kupu-kupu untuk pengaturan pembatas kedalaman
- (12) Slider dengan penanda indeks
- (13) Pembatas kedalaman
- (14) Skala untuk pengaturan kedalaman pemotongan
- (15) Gagang kiri (permukaan genggam berisolator)
- (16) Tuas penjepit untuk penguncian kedalaman pemotongan
- (17) Tuas pembuka kunci untuk ring penyalinan (copy ring)
- (18) Pisau frais^{a)}
- (19) Tombol on/off
- (20) Roda penyetel untuk pemilihan awal kecepatan
- (21) Mur pengunci dengan collet chuck
- (22) Kunci pas (19 mm)
- (23) Slang pengisap (Ø 35 mm)^{a)}
- (24) Adaptor pengisap
- (25) Sekrup untuk adaptor pengisap (2x)
- (26) Batang pemandu untuk mistar paralel (2x)
- (27) Mistar paralel
- (28) Pin pemusat^{a)}
- (29) Baut kupu-kupu untuk pin pemusat^{a)}
- (30) Pembatas lengkungan^{a)}
- (31) Lingkaran frais/adaptor rel pemandu^{a)}
- (32) Gagang untuk lingkaran frais^{a)}
- (33) Baut kupu-kupu untuk pengaturan kasar lingkaran frais (2x)^{a)}
- (34) Baut kupu-kupu untuk pengaturan halus lingkaran frais (1x)^{a)}
- (35) Kenop putar untuk pengaturan halus lingkaran frais^{a)}
- (36) Sekrup pemusat^{a)}

(37) Rel pemandu^{a)}

(38) Pelat pengatur jarak (tersedia dalam set "lingkaran frais")

(39) Ring penyalinan

- a) **Aksesori yang ada pada gambar atau yang dijelaskan tidak termasuk dalam lingkup pengiriman standar. Semua aksesori yang ada dapat Anda lihat dalam program aksesori kami.**

Data teknis

Mesin frais vertikal	GOF 130	
Nomor seri	3 601 FB7 0..	
Input daya nominal	W	1300
Kecepatan idle	min ⁻¹	11000-28000
Pemilihan awal kecepatan putaran		●
Kontrol elektronik konstan		●
Sambungan untuk ekstraksi debu		●
Collet chuck yang kompatibel	mm inch	6/8 ¼
Hub rumah frais	mm	55
Berat sesuai dengan EPTA-Procedure 01:2014	kg	3,5
Tingkat perlindungan		□/II

Data-data berlaku untuk tegangan nominal [U] 230 V. Pada tegangan yang lebih rendah dan pada model khusus mancanegara data-data ini bisa berlainan.

Cara memasang

- ▶ **Sebelum mulai dengan pekerjaan pada perkakas listrik, tariklah steker dari stopkontak.**

Memasang pisau frais (lihat gambar A)

- ▶ **Pada waktu memasang dan mengganti pisau frais kami anjurkan agar Anda memakai sarung tangan pelindung.**

Tergantung pada tujuan pengoperasiannya, pisau frais tersedia dalam berbagai desain dan kualitas.

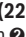
Pisau frais dari baja dengan performa tinggi (HSS) cocok untuk mengerjakan material yang lembut seperti misalnya kayu lunak dan bahan sintetis.

Pisau frais dengan ujung karbida (HM) khusus digunakan untuk material yang keras dan kasar seperti misalnya kayu keras dan aluminium.

Pisau frais asli yang termasuk dalam program aksesori Bosch dapat Anda beli di agen penjualan Bosch.

Hanya pasang pisau frais yang tidak rusak dan bersih.

- Lipat pelindung serpihan (5) ke bawah.
- Tekan dan tahan tombol pengunci spindel (3). Jika perlu, putar spindel mesin dengan tangan hingga terkunci.
- Kendurkan mur pengunci (21) dengan kunci pas (22) (ukuran kunci 19 mm) dengan memutarinya ke arah ④.

- Dorong pisau frais ke dalam collet chuck. Poros pisau frais harus dimasukkan setidaknya 20 mm ke dalam collet chuck.
- Kencangkan mur pengunci (21) dengan kunci pas (22) (ukuran kunci 19 mm) dengan memutarinya ke arah . Lepaskan tombol pengunci spindel (3).
- Lipat pelindung serpihan (5) ke atas.
- ▶ **Jangan gunakan pisau frais dengan diameter lebih besar dari 50 mm tanpa ring penyalinan (copy ring) yang terpasang.** Pisau frais tersebut terlalu besar untuk pelat dasar.
- ▶ **Kencangkan collet chuck dengan mur pengunci saat tidak ada pisau frais yang terpasang.** Collet chuck dapat rusak karenanya.

Ekstraksi debu/serbuk

Debu dari bahan-bahan seperti cat yang mengandung timbal, beberapa jenis kayu, bahan mineral dan logam dapat berbahaya bagi kesehatan. Menyentuh atau menghirup debu tersebut dapat mengakibatkan reaksi alergi dan/atau penyakit saluran pernapasan bagi pengguna atau orang yang berada di dekatnya.

Beberapa debu tertentu seperti misalnya debu kayu pohon ek atau pohon fagus silvatica dianggap dapat mengakibatkan penyakit kanker, terutama dalam campuran dengan bahan-bahan tambahan untuk pengolahan kayu (kromat, obat pengawet kayu). Bahan-bahan yang mengandung asbestos hanya boleh dikerjakan oleh orang-orang yang ahli.

- Gunakanlah hanya pengisap debu yang cocok untuk mengisap bahan yang dikerjakan.
- Pastikan terdapat ventilasi udara yang baik di tempat kerja.
- Dianjurkan untuk memakai masker anti debu dengan filter kelas P2.

Taatilah peraturan-peraturan untuk bahan-bahan yang dikerjakan yang berlaku di negara Anda.

- ▶ **Hindari debu yang banyak terkumpul di tempat kerja.** Debu dapat tersulut dengan mudah.

Memasang adaptor pengisap

Adaptor pengisap (24) dapat dipasang ke depan atau ke belakang dengan sambungan slang. Saat memasang dengan sambungan slang depan, pelindung serpihan (5) harus dilepas terlebih dulu. Kencangkan adaptor pengisap (24) dengan 2 sekrup knurled (25) pada pelat dasar (6).

Untuk menjamin pengisapan yang optimal, adaptor pengisap (24) harus dibersihkan secara berkala.

Menyambungkan ekstraksi debu (lihat gambar B)

Pasang slang pengisap (Ø 35 mm) (23) (aksesori) pada adaptor pengisap yang terpasang. Sambungkan slang pengisap (23) dengan pengisap debu (aksesori).

Perkakas listrik dapat disambungkan secara langsung ke stopkontak pada pengisap debu serbaguna **Bosch** dengan perangkat start jarak jauh. Jika perkakas listrik dihidupkan, mesin pengisap akan hidup secara otomatis.

Pengisap debu harus cocok untuk bahan yang dikerjakan.

Gunakan mesin pengisap khusus saat melakukan pengisapan debu kering atau debu yang dapat membahayakan kesehatan serta memicu kanker.

Memasang pelindung serpihan (lihat gambar C)

Pasang pelindung serpihan (5) dari depan ke dalam pemandu hingga terkunci. Untuk melepaskan, pegang pelindung serpihan dari samping dan lepaskan dari depan.

Pengoperasian

- ▶ **Perhatikan tegangan listrik! Tegangan jaringan listrik harus sesuai dengan tegangan listrik yang tercantum pada label tipe perkakas listrik. Perkakas listrik dengan daya sebesar 230 V seperti yang diindikasikan pada label dapat juga dioperasikan pada daya 220 V.**

Pengoperasian pertama kali

Pemilihan awal kecepatan putaran

Kecepatan putaran yang diperlukan juga dapat dipilih terlebih dulu dengan roda penyetel untuk pemilihan awal kecepatan putaran (20) selama pengoperasian.

- 1–2 kecepatan putaran rendah
- 3–4 kecepatan putaran sedang
- 5–6 kecepatan putaran tinggi

Nilai-nilai yang tercantum dalam tabel adalah nilai referensi. Kecepatan putaran yang diperlukan bergantung pada bahan yang dikerjakan dan kondisi pengerjaan dan dapat ditetapkan melalui uji coba secara praktis.

Bahan	Diameter pisau frais [mm]	Posisi roda penyetel
Kayu keras (fagus silvatica)	4–10	5–6
	12–20	3–4
	22–40	1–2
Kayu lunak (pinus)	4–10	5–6
	12–20	3–6
	22–40	1–3
Papan partikel	4–10	3–6
	12–20	2–4
	22–40	1–3
Bahan sintesis	4–15	2–3
	16–40	1–2
Aluminium	4–15	1–2
	16–40	1

Menghidupkan/mematikan

Setel kedalaman frais sebelum menghidupkan/mematikan perkakas.

Untuk **menghidupkan** perkakas listrik, **pertama-tama** tekan tombol pengaman (1) lalu tekan dan tahan tombol on/off (19).

Untuk **mengunci** tombol on/off (19), tekan kembali tombol pengaman (1).

Untuk **mematikan**, lepaskan tombol on/off (19). Jika Anda telah mengunci tombol on/off (19) dengan tombol

pengaman **(1)**, tekan singkat tombol on/off **(19)** dan lepaskan.

Kontrol elektronik konstan

Kontrol elektronik konstan membuat kecepatan putaran berjalan tanpa beban dan sewaktu dibebani hampir selalu konstan dan menjamin hasil kerja yang merata.

Mengatur kedalaman frais (lihat gambar D)

Pengaturan kedalaman frais hanya boleh dilakukan pada perkakas listrik yang dimatikan.

Untuk pengaturan kasar kedalaman frais, lakukan proses berikut:

- Letakkan perkakas listrik dengan pisau frais terpasang pada benda kerja yang akan dikerjakan.
- Setel pembatas level **(9)** pada level paling rendah; pembatas level akan terkunci.
- Kendurkan baut kupu-kupu pada pembatas kedalaman **(11)** sehingga pembatas kedalaman **(13)** dapat bergerak bebas.
- Tekan tuas penjepit untuk penguncian kedalaman frais **(16)** ke arah **⬅** dan arahkan mesin frais vertikal perlahan ke bawah hingga pisau frais **(18)** menyentuh permukaan atas benda kerja. Lepaskan kembali tuas penjepit untuk penguncian kedalaman frais **(16)** untuk mengunci kedalaman benam. Bila perlu, tekan tuas penjepit untuk penguncian kedalaman frais **(16)** ke arah **➡** untuk menguncinya.
- Tekan pembatas kedalaman **(13)** ke bawah hingga berada pada pembatas level **(9)**. Setel slider dengan penanda indeks **(12)** pada posisi **0** di skala kedalaman frais **(14)**.
- Setel pembatas kedalaman **(13)** pada kedalaman frais yang diinginkan dan kencangkan baut kupu-kupu pada pembatas kedalaman **(11)**. Pastikan slider tidak lagi disetel dengan penanda indeks **(12)**.
- Tekan tuas penjepit untuk penguncian kedalaman frais **(16)** ke arah **⬅** dan arahkan mesin frais vertikal ke posisi paling atas.

Pada kedalaman frais yang besar, sebaiknya lakukan pemesinan beberapa kali dengan hanya menghasilkan sedikit serpihan. Dengan bantuan pembatas level **(9)**, proses frais dapat dibagi menjadi beberapa level. Untuk itu, setel kedalaman frais yang diinginkan dengan level pembatas level paling rendah dan kemudian pilih level yang lebih tinggi untuk pemesinan pertama.

Petunjuk pengoperasian

- ▶ **Lindungilah pisau frais terhadap benturan dan sentakan.**
- ▶ **Sebelum mulai dengan pekerjaan pada perkakas listrik, tariklah steker dari stopkontak.**

Arah dan proses frais (lihat gambar E)

- ▶ **Proses frais harus selalu berlawanan dengan arah putar dari mata frais (18) (gerak berlawanan).** Jika arah pemotongan sesuai dengan arah putar dari mata

frais (gerak sama), perkakas listrik dapat terpental dari tangan pengguna.

Setel kedalaman frais yang diinginkan.

Letakkan perkakas listrik dengan pisau frais yang sudah dipasang pada benda yang akan dikerjakan, kemudian hidupkan perkakas listrik.

Tekan tuas penjepit untuk penguncian kedalaman frais **(16)** ke bawah dan gerakkan mesin frais vertikal perlahan ke bawah hingga kedalaman frais yang diatur tercapai.

Lepaskan kembali tuas penjepit untuk penguncian kedalaman frais **(16)** untuk mengunci kedalaman benam. Bila perlu, tekan ke atas tuas penjepit untuk penguncian kedalaman frais **(16)** untuk menguncinya.

Lakukan proses frais dengan dorongan ke depan yang merata.

Setelah proses frais selesai, kembalikan mesin frais vertikal ke posisi paling atas.

Matikan perkakas listrik.

Frais dengan alat penghenti (lihat gambar F)

Untuk memproses benda kerja yang lebih besar, misalnya saat pemotongan slot, papan atau lis dapat dikencangkan pada benda kerja sebagai alat penghenti lalu arahkan mesin frais vertikal pada sisi alas peluncur yang diratakan pada alat penghenti.

Frais tepian atau profil

Pada pekerjaan memotong pinggiran atau profil tanpa mistar sejajar, pisau frais yang dipakai harus memiliki ujung bundar atau bantalan peluru.

Dekatkan perkakas listrik yang sudah dihidupkan dari samping pada benda yang akan dikerjakan hingga ujung bundar atau bantalan peluru pisau frais terkena pada sisi dari benda yang akan dikerjakan.

Dorong perkakas listrik sepanjang sisi benda yang dikerjakan. Perhatikan supaya pisau frais berada dalam posisi bersudut. Tekanan yang terlalu besar dapat merusak pinggiran benda yang dikerjakan.

Frais dengan mistar paralel (lihat gambar G–H)

Masukkan mistar paralel **(27)** dengan batang pemandu **(26)** ke dalam pelat dasar **(6)** dan kencangkan dengan baut kupu-kupu **(4)** sesuai dengan yang diperlukan.

Dorong perkakas listrik yang dihidupkan ke sepanjang sisi benda kerja secara merata dan tekan dari samping pada mistar paralel.

Frais busur (lihat gambar I–J)

Putar mistar paralel **(27)** sehingga permukaan pembatasnya menghadap ke atas.

Masukkan mistar paralel **(27)** dengan batang pemandu **(26)** ke dalam pelat dasar **(6)** dan kencangkan dengan baut kupu-kupu **(4)** sesuai dengan yang diperlukan.

Kencangkan pin pemusat **(28)** dengan baut kupu-kupu **(29)** dengan menggebor pada mistar paralel **(27)**.

Masukkan pin pemusat **(28)** ke dalam titik tengah busur yang ditandai dan lakukan proses frais dengan tekanan yang merata.

Frais dengan pembatas lengkungan (lihat gambar K-L)

Masukkan mistar paralel (27) dengan batang pemandu (26) ke dalam pelat dasar (6) dan kencangkan dengan baut kupu-kupu (4) sesuai dengan yang diperlukan.

Kencangkan pembatas lengkungan dengan rol pemandu yang terpasang (30) dengan mengebor pada mistar paralel (27).

Gerakkan perkakas listrik dengan sedikit menekan pada sisi samping di sepanjang tepi benda kerja.

Frais dengan lingkaran frais (lihat gambar M)

Untuk pengerjaan frais sirkular, gunakan lingkaran frais/adaptor rel pemandu (31). Pasang lingkaran frais seperti yang ditunjukkan pada gambar.

Pasang sekrup pemusat (36) ke dalam ulir lingkaran frais. Masukkan ujung sekrup ke dalam titik tengah busur yang akan difrais, pastikan ujung sekrup masuk ke dalam permukaan atas benda kerja.

Atur radius yang diinginkan dengan menggeser lingkaran frais dengan kuat dan kencangkan baut kupu-kupu (33) dan (34).

Setelah mengendurkan baut kupu-kupu (34), ukuran panjang dapat diatur dengan kenop putar (35). Dalam hal ini, satu putaran sesuai dengan kisaran penyetelan sebesar 2,0 mm, satu garis skala pada kenop putar (35) sesuai dengan perubahan kisaran penyetelan sebesar 0,1 mm. Gerakan perkakas listrik yang dihidupkan dengan gagang kanan (2) dan gagang untuk lingkaran frais (32) di atas benda kerja.

Frais dengan rel pemandu (lihat gambar N)

Dengan bantuan rel pemandu (37), Anda dapat melakukan proses pengerjaan lurus.

Untuk mengimbangi perbedaan ketinggian, pasang pelat pengatur jarak (38).

Pasang lingkaran frais/adaptor rel pemandu (31) seperti yang ditunjukkan pada gambar.

Kencangkan rel pemandu (37) pada benda kerja dengan alat pengencang yang sesuai, misalnya klem. Pasang perkakas listrik dengan adaptor rel pemandu yang terpasang (31) ke rel pemandu.

Frais dengan ring penyalinan (copy ring) (lihat gambar O-P)

Dengan ring penyalinan (39), kontur dari templat atau pola dapat dipindahkan ke benda kerja.

Pilih ring penyalinan yang cocok menyesuaikan ketebalan pola atau templat. Karena ring penyalinan menonjol ke luar, maka pola harus mempunyai ketebalan setidaknya 8 mm.

Gerakkan tuas pembuka kunci (17) dan masukkan ring penyalinan (39) dari bawah ke dalam pelat dasar (6). Untuk itu, nok penempatan harus terkunci ke dalam ceruk ring penyalinan.

- **Pilih pisau frais dengan diameter yang lebih kecil daripada diameter ring penyalinan bagian dalam.**

Untuk frais dengan ring penyalinan (39), lakukan proses berikut:

- Dekatkan perkakas listrik yang dihidupkan dengan ring penyalinan pada pola.
- Tekan tuas penjepit untuk penguncian kedalaman frais (16) ke bawah dan gerakkan mesin frais vertikal perlahan ke bawah hingga kedalaman frais yang diatur tercapai. Lepaskan kembali tuas penjepit untuk penguncian kedalaman frais (16) untuk mengunci kedalaman benam. Bila perlu, tekan ke atas tuas penjepit untuk penguncian kedalaman frais (16) untuk menguncinya.
- Dorong perkakas listrik dengan ring penyalinan (copy ring) yang menonjol ke luar dengan tekanan dari samping pada sepanjang pola.

Perawatan dan servis

Perawatan dan pembersihan

- **Sebelum mulai dengan pekerjaan pada perkakas listrik, tariklah steker dari stopkontak.**
- **Perkakas listrik dan lubang ventilasi harus selalu dibersihkan agar perkakas dapat digunakan dengan baik dan aman.**
- **Bila memungkinkan, selalu gunakan sistem ekstraksi dalam kondisi pengoperasian yang ekstrem. Seringlah membersihkan kisi-kisi ventilasi dengan kuas dan hubungkan perangkat pelindung dari kebocoran listrik (PRCD).** Saat melakukan pengerjaan pada bahan logam, debu konduktif dapat mengendap di dalam perkakas listrik. Isolasi keamanan dari perkakas listrik dapat terganggu.

Jika kabel listrik harus diganti, pekerjaan ini harus dilakukan oleh **Bosch** atau Service Center untuk perkakas listrik **Bosch** resmi agar keselamatan kerja selalu terjamin.

Layanan pelanggan dan konsultasi penggunaan

Layanan pelanggan Bosch menjawab semua pertanyaan Anda tentang reparasi dan perawatan serta tentang suku cadang produk ini. Gambaran teknis (exploded view) dan informasi mengenai suku cadang dapat ditemukan di:

www.bosch-pt.com

Tim konsultasi penggunaan Bosch akan membantu Anda menjawab pertanyaan seputar produk kami beserta aksesorinya.

Jika Anda hendak menanyakan sesuatu atau memesan suku cadang, selalu sebutkan nomor model yang terdiri dari 10 angka dan tercantum pada label tipe produk.

Indonesia

PT Robert Bosch
Palma Tower 10th Floor
Jalan RA Kartini II-S Kaveling 6
Pondok Pinang, Kebayoran Lama
Jakarta Selatan 12310
Tel.: (021) 3005 5800
Fax: (021) 3005 5801

E-Mail: boschpowertools@id.bosch.com
www.bosch-pt.co.id

Alamat layanan lainnya dapat ditemukan di:
www.bosch-pt.com/serviceaddresses

Cara membuang

Perkakas listrik, aksesoris, dan kemasan sebaiknya didaur ulang secara ramah lingkungan.



Jangan membuang perkakas listrik ke dalam sampah rumah tangga!

Tiếng Việt

Hướng dẫn an toàn

Hướng dẫn an toàn chung cho dụng cụ điện

⚠ CẢNH BÁO Hãy đọc toàn bộ các cảnh báo an toàn, hướng dẫn, hình ảnh và thông số kỹ thuật được cung cấp cho dụng cụ điện cầm tay này. Không tuân thủ mọi hướng dẫn được liệt kê dưới đây có thể bị điện giật, gây cháy và /hay bị thương tật nghiêm trọng. **Hãy giữ tất cả tài liệu về cảnh báo và hướng dẫn để tham khảo về sau.**

Thuật ngữ "dụng cụ điện cầm tay" trong phần cảnh báo là để cập đến sự sử dụng dụng cụ điện cầm tay của bạn, loại sử dụng điện nguồn (có dây cắm điện) hay vận hành bằng pin (không dây cắm điện).

Khu vực làm việc an toàn

- ▶ **Giữ nơi làm việc sạch và đủ ánh sáng.** Nơi làm việc bừa bộn và tối tăm dễ gây ra tai nạn.
- ▶ **Không vận hành dụng cụ điện cầm tay trong môi trường dễ gây nổ, chẳng hạn như nơi có chất lỏng dễ cháy, khí đốt hay rác.** Dụng cụ điện cầm tay tạo ra các tia lửa nên có thể làm rác bén cháy hay bốc khói.
- ▶ **Không để trẻ em hay người đến xem đứng gần khi vận hành dụng cụ điện cầm tay.** Sự phân tâm có thể gây ra sự mất điều khiển.

An toàn về điện

- ▶ **Phích cắm của dụng cụ điện cầm tay phải thích hợp với ổ cắm.** Không bao giờ được cài biến lại phích cắm dưới mọi hình thức. Không được sử dụng phích tiếp hợp nối tiếp đất (dây mát). Phích cắm nguyên bản và ổ cắm đúng loại sẽ làm giảm nguy cơ bị điện giật.
- ▶ **Tránh không để thân thể tiếp xúc với đất hay các vật có bề mặt tiếp đất như đường ống, lò**

sưởi, hàng rào và tủ lạnh. Có nhiều nguy cơ bị điện giật hơn nếu cơ thể bạn bị tiếp hay nối đất.

- ▶ **Không được để dụng cụ điện cầm tay ngoài mưa hay ở tình trạng ẩm ướt.** Nước vào máy sẽ làm tăng nguy cơ bị điện giật.
- ▶ **Không được lạm dụng dây dẫn điện.** Không bao giờ được nắm dây dẫn để xách, kéo hay rút phích cắm dụng cụ điện cầm tay. Không để dây gần nơi có nhiệt độ cao, dầu nhớt, vật nhọn bén và bộ phận chuyển động. Làm hỏng hay cuộn rối dây dẫn làm tăng nguy cơ bị điện giật.
- ▶ **Khi sử dụng dụng cụ điện cầm tay ngoài trời, dùng dây nối thích hợp cho việc sử dụng ngoài trời.** Sử dụng dây nối thích hợp cho việc sử dụng ngoài trời làm giảm nguy cơ bị điện giật.
- ▶ **Nếu việc sử dụng dụng cụ điện cầm tay ở nơi ẩm ướt là không thể tránh được, dùng thiết bị ngắt mạch tự động (RCD) bảo vệ nguồn.** Sử dụng thiết bị ngắt mạch tự động RCD làm giảm nguy cơ bị điện giật.

An toàn cá nhân

- ▶ **Hãy tỉnh táo, biết rõ mình đang làm gì và hãy sử dụng ý thức khi vận hành dụng cụ điện cầm tay.** Không sử dụng dụng cụ điện cầm tay khi đang mệt mỏi hay đang bị tác động do chất gây nghiện, rượu hay dược phẩm gây ra. Một thoáng mất tập trung khi đang vận hành dụng cụ điện cầm tay có thể gây thương tích nghiêm trọng cho bản thân.
- ▶ **Sử dụng trang bị bảo hộ cá nhân.** Luôn luôn đeo kính bảo vệ mắt. Trang bị bảo hộ như khẩu trang, giày chống trượt, nón bảo hộ, hay dụng cụ bảo vệ tai khi được sử dụng đúng nơi đúng chỗ sẽ làm giảm nguy cơ thương tật cho bản thân.
- ▶ **Phòng tránh máy khởi động bất ngờ.** Bảo đảm công tắc máy ở vị trí tắt trước khi cắm vào nguồn điện và/hay lắp pin vào, khi nhấn máy lên hay khi mang xách máy. Ngáng ngón tay vào công tắc máy để xách hay kích hoạt dụng cụ điện cầm tay khi công tắc ở vị trí mở dễ dẫn đến tai nạn.
- ▶ **Lấy mọi chìa hay khóa điều chỉnh ra trước khi mở điện dụng cụ điện cầm tay.** Khóa hay chìa còn gắn dính vào bộ phận quay của dụng cụ điện cầm tay có thể gây thương tích cho bản thân.
- ▶ **Không rướn người.** Luôn luôn giữ tư thế đứng thích hợp và thăng bằng. Điều này tạo cho việc điều khiển dụng cụ điện cầm tay tốt hơn trong mọi tình huống bất ngờ.
- ▶ **Trang phục thích hợp.** Không mặc quần áo rộng lủng thụng hay mang trang sức. Giữ tóc và quần áo xa khỏi các bộ phận chuyển động. Quần áo rộng lủng thụng, đồ trang sức

hay tóc dài có thể bị cuốn vào các bộ phận chuyển động.

- ▶ **Nếu có các thiết bị đi kèm để nối máy hút bụi và các phụ kiện khác, bảo đảm các thiết bị này được nối và sử dụng tốt.** Việc sử dụng các thiết bị gom hút bụi có thể làm giảm các độc hại liên quan đến bụi gây ra.
- ▶ **Không để thói quen do sử dụng thường xuyên dụng cụ khiến bạn trở nên chủ quan và bỏ qua các quy định an toàn dụng cụ.** Một hành vi bất cẩn có thể gây ra thương tích nghiêm trọng chỉ trong tích tắc.

Sử dụng và bảo dưỡng dụng cụ điện cầm tay

- ▶ **Không được ép máy.** Sử dụng dụng cụ điện cầm tay đúng loại theo đúng ứng dụng của bạn. Dụng cụ điện cầm tay nào mà không thể điều khiển được bằng công tắc là nguy hiểm và phải được sửa chữa.
- ▶ **Không sử dụng dụng cụ điện cầm tay nếu như công tắc không tắt và mở được.** Bất kỳ dụng cụ điện cầm tay nào mà không thể điều khiển được bằng công tắc là nguy hiểm và phải được sửa chữa.
- ▶ **Rút phích cắm ra khỏi nguồn điện và/hay pin ra khỏi dụng cụ điện cầm tay nếu có thể tháo được, trước khi tiến hành bất kỳ điều chỉnh nào, thay phụ kiện, hay cất dụng cụ điện cầm tay.** Các biện pháp ngăn ngừa như vậy làm giảm nguy cơ dụng cụ điện cầm tay khởi động bất ngờ.
- ▶ **Cất giữ dụng cụ điện cầm tay không dùng tới nơi trẻ em không lấy được và không cho người chưa từng biết dụng cụ điện cầm tay hay các hướng dẫn này sử dụng dụng cụ điện cầm tay.** Dụng cụ điện cầm tay nguy hiểm khi ở trong tay người chưa được chỉ cách sử dụng.
- ▶ **Bảo quản dụng cụ điện cầm tay và các phụ kiện.** Kiểm tra xem các bộ phận chuyển động có bị sai lệch hay kẹt, các bộ phận bị rạn nứt và các tình trạng khác có thể ảnh hưởng đến sự vận hành của máy. Nếu bị hư hỏng, phải sửa chữa máy trước khi sử dụng. Nhiều tai nạn xảy ra do bảo quản dụng cụ điện cầm tay tối.
- ▶ **Giữ các dụng cụ cất bên và sạch.** Bảo quản đúng cách các dụng cụ cất có cạnh cắt bên làm giảm khả năng bị kẹt và dễ điều khiển hơn.
- ▶ **Sử dụng dụng cụ điện cầm tay, phụ kiện, đầu cái v. v., đúng theo các chỉ dẫn này, hãy lưu ý đến điều kiện làm việc và công việc phải thực hiện.** Sự sử dụng dụng cụ điện cầm tay khác với mục đích thiết kế có thể tạo nên tình huống nguy hiểm.
- ▶ **Giữ tay cầm và bề mặt nắm luôn khô ráo, sạch sẽ và không dính dầu mỡ.** Tay cầm và bề mặt nắm trơn trượt không đem lại thao tác an

toàn và kiểm soát dụng cụ trong các tình huống bất ngờ.

Bảo dưỡng

- ▶ **Đưa dụng cụ điện cầm tay của bạn đến thợ chuyên môn để bảo dưỡng, chỉ sử dụng phụ tùng đúng chủng loại để thay.** Điều này sẽ đảm bảo sự an toàn của máy được giữ nguyên.

Các hướng dẫn an toàn cho bào xoi

- ▶ **Chỉ cầm dụng cụ điện cầm tay tại các bề mặt cầm nắm có cách điện, vì máy cắt có thể chạm vào chính dây điện của thiết bị.** Cắt một dây "có điện" có thể làm cho các phần kim loại hở của dụng cụ điện cầm tay "có điện" và có thể gây ra điện giật cho người vận hành.
- ▶ **Sử dụng các kẹp hoặc cách thay thế khác để cố định và đỡ phôi gia công vào sàn thao tác cố định.** Việc cầm phôi gia công bằng tay hoặc tựa người vào phôi gia công làm cho nó dễ đổ và có thể dẫn đến sự mất kiểm soát.
- ▶ **Tốc độ danh định của máy phay phải ít nhất là bằng với tốc độ tối đa được ghi trên dụng cụ điện cầm tay.** Máy phay chạy nhanh hơn tốc độ danh định của chúng có thể văng vỡ ra.
- ▶ **Máy phay hay bất kỳ loại phụ tùng nào khác phải vừa vận phù hợp với giá đỡ dụng cụ (mâm cặp) của dụng cụ điện.** Mũi phay mà không vừa khít chính xác với phần cặp dụng cụ của máy sẽ quay không đều, rung lắc dữ dội và có thể dẫn đến sự mất kiểm soát.
- ▶ **Chỉ cho máy gia công vật liệu khi máy đã hoạt động.** Nếu không làm vậy thì sẽ có nguy cơ bị giật ngược do dụng cụ cắt bị kẹt chặt trong vật gia công.
- ▶ **Đề tay tránh khỏi phạm vi phay và khỏi máy phay.** Hãy giữ tay nắm phụ bằng cả hai tay. Khi nắm máy bằng cả hai tay thì tay không thể bị mũi phay làm bị thương được.
- ▶ **Không phay bằng các vật thể kim loại, đinh hoặc vít.** Mũi phay có thể bị làm hỏng và làm gia tăng sự rung lắc.
- ▶ **Dùng thiết bị dò tìm thích hợp để xác định nếu có các công trình công cộng lấp đặt ngầm trong khu vực làm việc hay liên hệ với Cty công trình công cộng địa phương để nhờ hỗ trợ.** Dụng cụ chạm đường dẫn điện có thể gây ra hỏa hoạn và điện giật. Làm hư hại đường dẫn khí ga có thể gây nổ. Làm thủng đường dẫn nước gây hư hỏng tài sản hay có khả năng gây ra điện giật.
- ▶ **Không sử dụng máy phay cùn hoặc bị hỏng.** Mũi phay đã cùn hay hư hỏng làm tăng sự ma sát, có thể bị kẹt chặt và rồi dẫn đến sự mất thăng bằng.
- ▶ **Luôn luôn đợi cho máy hoàn toàn ngừng hẳn trước khi đặt xuống.** Dụng cụ lắp vào máy có

thể bị kẹp chặt dẫn đến việc dụng cụ điện cầm tay bị mất điều khiển.

- **Giữ máy thật chắc bằng cả hai tay trong khi làm việc và luôn luôn giữ tư thế đứng cho thích hợp và cân bằng.** Dùng hai tay để điều khiển máy thì an toàn hơn.

Mô Tả Sản Phẩm và Đặc Tính Kỹ Thuật



Đọc kỹ mọi cảnh báo an toàn và mọi hướng dẫn. Không tuân thủ mọi cảnh báo và hướng dẫn được liệt kê dưới đây có thể bị điện giật, gây cháy và / hay bị thương tật nghiêm trọng.

Xin lưu ý các hình minh họa trong phần trước của hướng dẫn vận hành.

Sử dụng đúng cách

Máy được thiết kế để phay rãnh, cạnh biên, mặt cạnh và các lỗ phân bố trải dài cũng như chép hình vào gỗ, nhựa và các vật liệu xây dựng nhẹ khi các vật này dính chắc trên vật gia công.

Khi số vòng quay giảm và với máy phay tương ứng, kim loại màu cũng có thể được xử lý.

Các bộ phận được minh họa

Sự đánh số các biểu trưng của sản phẩm là để tham khảo hình minh họa của máy trên trang hình ảnh.

- (1) Nút hãm cho công tắc bật/tắt
- (2) Tay nắm bên phải (bề mặt nắm cách điện)
- (3) Nút khóa trực
- (4) Bu-lông tai chuẩn cho các thanh dẫn hướng-thanh cữ (2x)
- (5) Tấm chắn vỏ bảo
- (6) Chân đế khuôn bao
- (7) Tấm hướng dòng
- (8) Đế tựa cho thanh dẫn hướng-thanh cữ
- (9) Cờ chặn mức
- (10) Vòng cách điện
- (11) Bu-lông tai hồng điều chỉnh cờ chặn độ sâu
- (12) Con trượt có dấu chỉ số
- (13) Cờ định độ sâu
- (14) Thước chia độ dùng điều chỉnh độ sâu phay
- (15) Tay nắm bên trái (bề mặt nắm cách điện)
- (16) Tay kẹp dùng để khóa giữ độ sâu phay
- (17) Cần nhả khóa cho bạc dẫn hướng
- (18) Máy phay ^{a)}
- (19) Công tắc Tắt/Mở
- (20) Nút xoay để chọn trước tốc độ
- (21) Mâm cặp

- (22) Chia vận miệng mở (19 mm)
- (23) Ống hút (\varnothing 35 mm)^{a)}
- (24) Cút nối ống hút
- (25) Vít đầu có khóa cho cút nối ống hút (2x)
- (26) Thanh dẫn hướng cho thanh cữ (2x)
- (27) Thanh cữ
- (28) Chốt định tâm^{a)}
- (29) Bu-lông tai chuẩn cho chốt định tâm^{a)}
- (30) Cờ chặn cong^{a)}
- (31) Compa phay/dầu nối ray dẫn hướng^{a)}
- (32) Tay cầm cho compa phay^{a)}
- (33) Bu-lông tai chuẩn cho điều chỉnh thô compa phay (2x)^{a)}
- (34) Bu-lông tai chuẩn cho điều chỉnh tinh compa phay (1x)^{a)}
- (35) Nút xoay để điều chỉnh tinh compa phay^{a)}
- (36) Vít định tâm^{a)}
- (37) Ray dẫn hướng^{a)}
- (38) Vòng đệm cách (trong bộ „Compa phay“)
- (39) Bạc dẫn hướng

a) **Phụ tùng được trình bày hay mô tả không phải là một phần của tiêu chuẩn hàng hóa được giao kèm theo sản phẩm. Bạn có thể tham khảo tổng thể các loại phụ tùng, phụ kiện trong chương trình phụ tùng của chúng tôi.**

Thông số kỹ thuật

Máy phay định hình	GOF 130	
Mã số máy		3 601 FB7 0..
Công suất vào danh định	W	1300
Tốc độ không tải	min ⁻¹	11000–28000
Chọn Trước Tốc Độ		●
Bộ phận điều áp điện tử		●
Nối kết phần hút bụi		●
Vành kẹp tương thích	mm inch	6/8 ¼
Hành trình khuôn bao phay	mm	55
Trọng lượng theo Qui trình EPTA-Procedure 01:2014	kg	3,5
Cấp độ bảo vệ		□/II

Các giá trị đã cho có hiệu lực cho điện thế danh định [U] 230 V. Đối với điện thế thấp hơn và các loại máy dành riêng cho một số quốc gia, các giá trị này có thể thay đổi.

Sự lắp vào

- **Trước khi tiến hành bất cứ việc gì trên máy, kéo phích cắm điện nguồn ra.**

Lắp máy phay (xem Hình A)

► Để lắp hay thay mũi phay, xin khuyến nghị nên mang găng bảo vệ tay.

Tùy theo mục đích ứng dụng, hầu hết các loại mũi phay khác nhau về kiểu dáng và chất lượng hiện đều có bán ở thị trường.

Máy phay làm từ thép siêu tốc hiệu suất cao (HSS) phù hợp để gia công vật liệu mềm ví dụ như gỗ mềm và nhựa.

Các máy phay có lưỡi cắt kim loại cứng (HM) đặc biệt phù hợp với vật liệu cứng và mài mòn như gỗ cứng và nhôm.

Bạn có thể mua được các loại mũi phay chính hãng trong chương trình phụ kiện tổng quát của Bosch ở cửa hàng chuyên ngành.

Chỉ sử dụng mũi phay sạch và có tình trạng hoàn hảo.

- Hãy gập tấm chắn vỏ bảo (5) xuống.
- Nhấn nút khóa trục (3) và nhấn giữ. Xoay trục động cơ bằng tay nếu cần, cho đến khi nó được khóa.
- Nhả đai ốc ren (21) bằng chìa vặn hình đĩa (22) (kích thước đặt chia vặn 19 mm) bằng cách xoay theo hướng xoay ❶.
- Lắp mũi phay vào trong cổ góp. Chuôi của mũi phay phải được lắp vào sâu trong cổ góp ít nhất là 20 mm.
- Siết chặt đai ốc ren (21) bằng chìa vặn hình đĩa (22) (kích thước đặt chia vặn 19 mm) bằng cách xoay theo hướng xoay ❷. Hãy nhút khóa trục (3).
- Hãy gập tấm chắn vỏ bảo (5) lên trên.
- **Không dùng máy phay với đường kính lớn hơn 50 mm mà không lắp bạc dẫn hướng.** Những loại mũi phay như thế không phù hợp đối với chân đế.
- **Không siết chặt cổ góp với đai ốc mũ, nếu máy phay chưa được lắp.** Nếu không, cổ góp có thể bị hỏng.

Hút Dăm/Bụi

Mạt bụi từ các vật liệu được sơn phủ ngoài có chứa chì trên một số loại gỗ, khoáng vật và kim loại có thể gây nguy hại đến sức khỏe con người. Đừng chạm hay hít thở các bụi này có thể làm người sử dụng hay đứng gần bị dị ứng và/hoặc gây nhiễm trùng hệ hô hấp.

Một số hạt bụi cụ thể, ví dụ như bụi gỗ sồi hay đậu, được xem là chất gây ung thư, đặc biệt là có liên quan đến các chất phụ gia dùng xử lý gỗ (chất cromat, chất bảo quản gỗ). Có thể chỉ nên để thợ chuyên môn gia công các loại vật liệu có chứa amiăng.

- Cách xa ở mức có thể được, sử dụng hệ thống hút thích hợp cho loại vật liệu.
- Tạo không khí thông thoáng nơi làm việc.

- Khuyến nghị nên mang mặt nạ phòng độc có bộ lọc cấp P2.

Tuân thủ các qui định của quốc gia bạn liên quan đến loại vật liệu gia công.

► **Tránh không để rác tích tụ tại nơi làm việc.** Rác có thể dễ dàng bắt lửa.

Lắp Bộ Phận Hút Ghép Nối

Cút nối ống hút (24) có thể được lắp ra trước hoặc ra sau bằng đầu nối ống. Khi lắp với đầu nối ống phía trước, trước đó phải tháo tấm chắn vỏ bảo (5). Cố định cút nối ống hút (24) với 2 vít đầu có khóa (25) tại chân đế khuôn bao (6).

Để đảm bảo sự hút được tốt nhất, bộ phận hút (24) ghép nối phải được làm sạch thường xuyên.

Nối Thiết Bị Hút Bụi (xem Hình B)

Cắm ống hút (Ø 35 mm) (23) (phụ kiện) vào cút nối ống hút đã lắp. Nối ống hút (23) với một chiếc máy hút bụi (phụ kiện).

Dụng cụ điện có thể được kết nối trực tiếp với ổ cắm của máy hút bụi đa năng **Bosch** bằng thiết bị khởi động từ xa. Máy hút chân không khởi động tự động khi máy được mở.

Máy hút bụi phải thích hợp dành cho loại vật liệu đang gia công.

Khi hút bụi khô loại đặc biệt gây nguy hại đến sức khỏe hoặc gây ra ung thư, hãy sử dụng máy hút bụi loại chuyên dụng.

Lắp tấm chắn vỏ bảo (xem Hình C)

Đặt tấm chắn vỏ bảo (5) từ phía trước vào rãnh dẫn hướng sao cho nó khớp vào. Để tháo, hãy cắm vào bên cạnh của tấm chắn vỏ bảo và kéo về trước.

Vận Hành

- **Hãy cẩn thận với nguồn điện! Điện thế nguồn phải đúng với điện thế đã ghi rõ trên nhãn máy. Dụng cụ điện được ghi 230 V cũng có thể được vận hành ở 220 V.**

Bắt Đầu Vận Hành

Chọn Trước Tốc Độ

Với núm vặn để chọn trước tốc độ (20), bạn có thể chọn trước số vòng quay cần thiết cả khi đang vận hành.

- | | |
|-----|-------------------------|
| 1–2 | số vòng quay thấp |
| 3–4 | số vòng quay trung bình |
| 5–6 | số vòng quay cao |

Các trị số trình bày trong biểu đồ là các trị số chuẩn. Tốc độ cần có tùy thuộc vào vật liệu và điều kiện hoạt động, và có thể xác định được bằng thử nghiệm thực tế.

Nguyên vật liệu	Đường kính phay [mm]	Vị Trí của Núm Xoay
Gỗ cứng (gỗ dê gai)	4-10	5-6
	12-20	3-4
	22-40	1-2
Gỗ mềm (gỗ thông)	4-10	5-6
	12-20	3-6
	22-40	1-3
Ván dăm (ván okal)	4-10	3-6
	12-20	2-4
	22-40	1-3
Nhựa mù	4-15	2-3
	16-40	1-2
Nhôm	4-15	1-2
	16-40	1

Bật Mở và Tắt

Hãy thiết lập độ sâu phay trước khi bật/tắt.

Để **Bật** dụng cụ điện, **trước hết** hãy nhấn nút hãm (1), sau đó nhấn công tắc bật/tắt (19) và nhấn giữ.

Để **khóa** công tắc bật-tắt (19) hãy nhấn lại nút hãm (1).

Để **Tắt** thả công tắc bật/tắt (19). Nếu bạn dùng nút hãm (1) để khóa công tắc bật/tắt (19), hãy nhấn nhanh công tắc bật/tắt (19) và sau đó nhả ra.

Bộ phận điều áp điện tử

Bộ phận điều áp điện tử giữ cho tốc độ chạy ổn định khi không tải hoặc có tải, và đảm bảo sự đồng bộ hiệu suất lao động.

Thiết lập độ sâu phay (xem Hình D)

Chỉ có thể điều chỉnh độ sâu phay khi máy đã được tắt.

Để điều chỉnh độ sâu phay thô, tiến hành như sau:

- Với máy đã lắp mũi phay vào, đặt dụng cụ điện lên trên vật liệu được gia công.
- Hãy đặt cỡ chặn mức (9) về mức thấp nhất; cỡ chặn mức khớp vào.
- Hãy nhả vít tai hồng trên cỡ chặn độ sâu (11) để cỡ chặn độ sâu (13) di chuyển tự do.
- Hãy nhấn tay kẹp khóa giữ độ sâu phay (16) theo hướng xoay ① và từ từ dẫn bào xoi xuống dưới, cho đến khi máy phay (18) chạm vào bề mặt phôi gia công. Hãy nhả tay kẹp khóa giữ độ sâu phay (16), để cố định độ sâu nhúng chìm. Nhấn tay kẹp khóa giữ độ sâu phay (16) theo hướng xoay ②, để cố định dứt khoát.
- Nhấn cỡ chặn độ sâu (13) xuống dưới, cho đến khi nó khớp trên cỡ chặn mức (9). Hãy đặt con trượt với dấu chỉ số (12) thành vị trí 0 trên thang đo độ sâu phay (14).
- Hãy đặt cỡ chặn độ sâu (13) thành độ sâu phay mong muốn và siết chặt bu-lông tai chuẩn trên

cỡ chặn độ sâu (11). Hãy đảm bảo rằng bạn không điều chỉnh con trượt với dấu chỉ số (12).

- Hãy nhấn tay kẹp khóa giữ độ sâu phay (16) theo hướng xoay ① và dẫn bào xoi vào vị trí trên cùng.

Để cắt sâu, xin khuyến nghị nên phay một vài lần, mỗi lần loại bỏ một ít vật liệu thải ra. Bằng cỡ chặn mức (9) bạn có thể phân chia quá trình phay thành nhiều mức. Hãy thiết lập độ sâu phay mong muốn với mức thấp nhất của cỡ chặn mức và chọn các mức cao hơn cho các bước xử lý đầu tiên.

Hướng Dẫn Sử Dụng

- ▶ **Tránh không để mũi phay chịu sự va đập và bị tác động mạnh.**
- ▶ **Trước khi tiến hành bất cứ việc gì trên máy, kéo phích cắm điện nguồn ra.**

Hướng phay và quá trình phay (xem Hình E)

- ▶ **Quá trình phay phải luôn được thực hiện theo cùng chiều quay của máy phay (18) (chuyển động cắt đi lên).** Khi phay theo cùng chiều quay của mũi phay (chuyển động cắt đi xuống), máy có thể bị đẩy rời ra, làm cho người sử dụng mất điều khiển.

Chỉnh độ sâu máy mong muốn.

Đặt máy đã gắn mũi phay lên trên vật được gia công để làm việc và cho dụng cụ điện hoạt động.

Hãy nhấn tay kẹp khóa giữ độ sâu phay (16) xuống dưới và từ từ dẫn bào xoi xuống dưới, cho đến khi đạt tới độ sâu phay đã thiết lập. Hãy nhả tay kẹp khóa giữ độ sâu phay (16), để cố định độ sâu nhúng chìm. Nhấn tay kẹp khóa giữ độ sâu phay (16) lên trên, để cố định dứt khoát.

Tiến hành quy trình phay với thao tác gia công đều tay.

Sau khi hoàn tất qui trình phay, đưa máy phay lên vị trí trên cùng.

Tắt dụng cụ điện.

Phay với cỡ chặn phụ (xem Hình F)

Để xử lý phôi gia công lớn, ví dụ khi phay rãnh, bạn có thể dùng ván hay thanh nẹp kẹp vào phôi gia công như là một cỡ chặn phụ; có thể đẩy bào xoi dọc theo cỡ chặn phụ. Hãy dẫn bào xoi trên cạnh phẳng của tấm hướng dòng dọc theo cỡ chặn phụ.

Phay Biên hay Định Hình

Khi phay biên hay định hình mà không sử dụng dưỡng cặp cạnh, mũi phay phải được trang bị phần trục dẫn hướng hay ổ bạc đạn.

Đẩy máy đang mở ngang từ hông vào vật liệu gia công cho đến khi phần trục dẫn hướng hay ổ bạc đạn của mũi phay giáp vào cạnh của vật liệu gia công.

Đẩy máy dọc theo cạnh của vật liệu gia công. Bảo đảm máy được đặt ở vị trí vuông góc với vật liệu gia

công. Dùng sức ép quá mức có thể làm hư cạnh biên của vật gia công.

Phay với thanh cữ (xem Hình G–H)

Hãy đẩy thanh cữ (27) với thanh dẫn hướng (26) vào tấm nền (6) và siết chặt nó bằng bu-lông tai hồng (4) theo kích thước cần thiết.

Đẩy máy đã được mở với bước tiến đồng đều với lực áp một cạnh lên dưỡng cặp cạnh dọc theo cạnh biên của vật gia công.

Phay các cung tròn (xem Hình I–J)

Xoay thanh cữ (27), sao cho bề mặt cữ chặn hướng lên trên.

Hãy đẩy thanh cữ (27) với thanh dẫn hướng (26) vào tấm nền (6) và siết chặt nó bằng bu-lông tai hồng (4) theo kích thước cần thiết.

Cố định chốt định tâm (28) bằng bu-lông tai hồng (29) bằng lỗ khoan trên thanh cữ (27).

Chèn chốt định tâm (28) vào trọng tâm đã đánh dấu của cung tròn và tiến hành quá trình phay với thao tác gia công đều tay.

Phay với cữ chặn cong (xem Hình K–L)

Hãy đẩy thanh cữ (27) với thanh dẫn hướng (26) vào tấm nền (6) và siết chặt nó bằng bu-lông tai hồng (4) theo kích thước cần thiết.

Cố định cữ chặn cong với con lăn dẫn hướng đã lắp (30) bằng lỗ khoan trên thanh cữ (27).

Dẫn dụng cụ điện dọc cạnh phôi gia công bằng áp lực nhẹ bên cạnh.

Phay với com-pa phay (xem Hình M)

Để phay tròn, bạn có thể sử dụng com-pa phay/đầu nối ray dẫn hướng (31). Lắp compa máy phay như trình bày trong hình.

Vít chặt vít định tâm (36) vào ren trong com-pa phay. Chèn đầu vít vào trọng tâm của cung tròn cần phay, đảm bảo rằng đầu vít gài vào bề mặt vật liệu.

Hãy chỉnh thô bán kính mong muốn bằng cách dịch chuyển com-pa phay và siết chặt bu-lông tai hồng (33) và (34).

Bằng núm xoay (35) bạn có thể chỉnh tinh chiều dài sau khi nhả bu-lông tai hồng (34). Một vòng xoay tương ứng với một quãng điều chỉnh 2,0 mm, một đầu trang đo trên núm xoay (35) tương ứng với thay đổi quãng điều chỉnh thêm 0,1 mm.

Hãy dẫn dụng cụ điện đã bật với tay cầm bên phải (2) và tay cầm cho com-pa phay (32) qua phôi gia công.

Phay với ray dẫn hướng (xem Hình N)

Nhờ ray dẫn hướng (37) mà bạn có thể thực hiện các quá trình làm việc theo đường thẳng.

Để cân bằng chênh lệch chiều cao, bạn phải lắp vòng đệm cách (38).

Lắp compa phay/đầu nối ray dẫn hướng (31) như trình bày trong hình.

Cố định đường ray dẫn hướng (37) bằng các thiết bị kẹp phù hợp, ví dụ kẹp vít, trên các phôi gia công. Hãy lắp dụng cụ điện với bộ điều chỉnh đường ray dẫn hướng hoàn chỉnh (31) trên đường ray dẫn.

Máy phay có bạc dẫn hướng (xem Hình ảnh O–P)

Nhờ bạc dẫn hướng (39) bạn có thể chuyển các hình dáng của khuôn mẫu hoặc mô hình lên phôi gia công.

Chọn tùy theo độ dày của mô hình cũng như mẫu của tấm mẫu riêng. Khuôn mẫu phải có độ dày tối thiểu là 8 mm do bạc dẫn hướng có độ dài nhô ra như vậy.

Dịch chuyển cần nhả khóa (17) và đặt bạc dẫn hướng (39) từ bên dưới vào tấm nền (6). Bảo đảm rằng chốt định dạng khớp vào trong các rãnh của bạc dẫn hướng.

► Chọn mũi phay có đường kính nhỏ hơn đường kính trong của bạc dẫn hướng.

Để phay bằng bạc dẫn hướng (39) hãy tiến hành như sau:

- Đẩy dụng cụ điện đang hoạt động có lắp bạc dẫn hướng hướng tới khuôn mẫu.
- Hãy nhấn tay kẹp khóa giữ độ sâu phay (16) xuống dưới và từ từ dẫn bào xoi xuống dưới, cho đến khi đạt tới độ sâu phay đã thiết lập. Hãy nhả tay kẹp khóa giữ độ sâu phay (16), để cố định độ sâu nhúng chìm. Nhấn tay kẹp khóa giữ độ sâu phay (16) lên trên, để cố định dứt khoát.
- Đẩy máy có bạc dẫn hướng nhô ra dọc theo khuôn mẫu, ứng dụng với lực áp nhẹ lên một cạnh.

Bảo Dưỡng và Bảo Quản

Bảo Dưỡng Và Làm Sạch

- Trước khi tiến hành bất cứ việc gì trên máy, kéo phích cắm điện nguồn ra.
- Để được an toàn và máy hoạt động đúng chức năng, luôn luôn giữ máy và các khe thông gió được sạch.
- Luôn sử dụng thiết bị hút nếu có khả năng khi vận hành dụng cụ trong điều kiện khắc nghiệt. Thường xuyên làm sạch khe thông gió bằng cọ và lắp đặt thiết bị ngắt mạch tự động (PRCD). Khi gia công kim loại, các loại hạt bụi dẫn điện có thể lọt vào trong dụng cụ điện. Toàn bộ sự cách điện của dụng cụ điện có thể bị mất tác dụng.

Nếu như cần phải thay dây dẫn điện thì công việc này phải do hãng **Bosch**, hay một đại lý được **Bosch** ủy nhiệm thực hiện để tránh gặp sự nguy hiểm do mất an toàn.

Dịch vụ hỗ trợ khách hàng và tư vấn sử dụng

Bộ phận phục vụ hàng sau khi bán của chúng tôi trả lời các câu hỏi liên quan đến việc bảo dưỡng và sửa chữa các sản phẩm cũng như phụ tùng thay thế của bạn. Sơ đồ mô tả và thông tin về phụ tùng thay thế cũng có thể tra cứu theo dưới đây:

www.bosch-pt.com

Đội ngũ tư vấn sử dụng của Bosch sẽ giúp bạn giải đáp các thắc mắc về sản phẩm và phụ kiện.

Trong tất cả các phản hồi và đơn đặt phụ tùng, xin vui lòng luôn luôn nhập số hàng hóa 10 chữ số theo nhãn của hàng hóa.

Việt Nam

CN CÔNG TY TNHH BOSCH VIỆT NAM TẠI

TP.HCM

Tầng 14, Ngôi Nhà Đức, 33 Lê Duẩn

Phường Bến Nghé, Quận 1, Thành Phố Hồ Chí Minh

Tel.: (028) 6258 3690

Fax: (028) 6258 3692 - 6258 3694

Hotline: (028) 6250 8555

Email: tuvankhachhang-pt@vn.bosch.com

www.bosch-pt.com.vn

www.baohanhbosch-pt.com.vn

Xem thêm địa chỉ dịch vụ tại:

www.bosch-pt.com/serviceaddresses

Sự thải bỏ

Máy, linh kiện và bao bì phải được phân loại để tái chế theo hướng thân thiện với môi trường.



Không được thải bỏ dụng cụ điện vào chung với rác sinh hoạt!

مخصص للاستعمال الخارجي من خطر الصدمات الكهربائية.

◀ **إن لم يكن بالإمكان تجنب تشغيل العدة الكهربائية في الأجواء الرطبة، فاستخدم مفتاح للوقاية من التيار المتخلف.** إن استخدام مفتاح للوقاية من التيار المتخلف يقلل خطر الصدمات الكهربائية.

أمان الأشخاص

◀ **كن يقظا وانتبه إلى ما تفعله واستخدم العدة الكهربائية بتعقل.** لا تستخدم عدة كهربائية عندما تكون متعبا أو عندما تكون تحت تأثير المخدرات أو الكحول أو الأدوية. عدم الانتباه للحظة واحدة عند استخدام العدة الكهربائية قد يؤدي إلى إصابات خطيرة.

◀ **قم لارتداء تجهيزات الحماية الشخصية. وارتد دائما نظارات واقية.** يعد ارتداء تجهيزات الحماية الشخصية، كقناع الوقاية من الغبار وأحذية الأمان الواقية من الانزلاق والحدوث أو واقية الأذنين، حسب ظروف استعمال العدة الكهربائية، من خطر الإصابة بجروح.

◀ **تجنب التشغيل بشكل غير مقصود.** تأكد من كون العدة الكهربائية مطفأة قبل توصيلها بالتيار الكهربائي و/أو بالمركم، وقبل رفعها أو حملها. إن كنت تضع إصبعك على المفتاح أثناء حمل العدة الكهربائية أو إن وصلت الجهاز بالشبكة الكهربائية بينما لامفتاح على وضع التشغيل، قد يؤدي إلى وقوع الحوادث.

◀ **انزع أداة الضبط أو مفتاح الربط قبل تشغيل العدة الكهربائية.** قد تؤدي الأداة أو المفتاح المتواجد في جزء دوار من الجهاز إلى الإصابة بجروح.

◀ **تجنب أوضاع الجسم غير الطبيعية.** قف بأمان وحافظ على توازنك دائما. سيسمح لك ذلك بالتمكّن في الجهاز بشكل أفضل في المواقف الغير متوقعة.

◀ **قم بارتداء ثياب مناسبة.** لا ترتد الثياب الفضفاضة أو الملّية. احرص على إبقاء الشعر والملابس بعيدا عن الأجزاء المتحركة. قد تشابك الثياب الفضفاضة والملّية والشعر الطويل بالأجزاء المتحركة.

◀ **إن جاز تركيب تجهيزات شفت وتجميع الغبار، فتأكد من أنها موصولة وبأنه يتم استخدامها بشكل سليم.** قد يقلل استخدام تجهيزات لشفط الغبار من المخاطر الناتجة عن الغبار.

◀ **لا تستخدم العدة الكهربائية بلا مبالاة وتجاهل قواعد الأمان الخاصة بها نتيجة لتعودك على استخدام العدة الكهربائية وكثرة استخدامها.** فقد يتسبب الاستعمال دون حرص في حدوث إصابة بالغة تحدث في أجزاء من الثانية.

حسن معاملة واستخدام العدد الكهربائية

◀ **لا تفرط بتحميل الجهاز. استخدم لتفنيذ أشغالك العدة الكهربائية المخصصة لذلك.** إنك تعمل بشكل أفضل وأكثر أماناً بواسطة العدة الكهربائية الملائمة في مجال الأداء المذكور.

◀ **لا تستخدم العدة الكهربائية إن كان مفتاح تشغيلها تالف.** العدة الكهربائية التي لم يعد من

عربي

إرشادات الأمان

الإرشادات العامة للأمان بالعدد الكهربائية

تحذير

اطلع على كافة تحذيرات الأمان والتعليمات والصور والمواصفات المرفقة بالعدة الكهربائية. عدم اتباع التعليمات الواردة أدناه قد يؤدي إلى حدوث صدمة كهربائية، إلى نشوب حريق و/أو الإصابة بجروح خطيرة.

احتفظ بجميع الملاحظات التحذيرية والتعليمات للمستقبل.

يقصد بمصطلح «العدة الكهربائية» المستخدم في الملاحظات التحذيرية، العدد الكهربائي الموصولة بالشبكة الكهربائية (بواسطة كابل الشبكة الكهربائية) وأيضا العدد الكهربائي المزودة بمركم (دون كابل الشبكة الكهربائية).

الأمان بمكان الشغل

◀ **حافظ على نظافة مكان شغلك وإضاءته بشكل جيد.** الفوضى في مكان الشغل ونطاقات العمل غير المضأة قد تؤدي إلى وقوع الحوادث.

◀ **لا تشغل بالعدة الكهربائية في نطاق معرض لخطر الانفجار مثل الأماكن التي تتوفر فيه السوائل أو الغازات أو الأبخرة القابلة للاشتعال.** العدد الكهربائي تولد شررا قد يتطاير، فيشعل الأبخرة والأبخرة.

◀ **حافظ على بقاء الأطفال وغيرهم من الأشخاص بعيدا عندما تستعمل العدة الكهربائية.** تشتيت الانتباه قد يتسبب في فقدان السيطرة على الجهاز.

الأمان الكهربائي

◀ **يجب أن يتلائم قابس العدة الكهربائية مع المقبس.** لا يجوز تغيير القابس بأي حال من الأحوال. لا تستعمل القوايس المهائية مع العدد الكهربائية المؤرضة (ذات طرف أرضي). تخفّف القوايس التي لم يتم تغييرها والمقابس الملائمة من خطر الصدمات الكهربائية.

◀ **تجنب ملامسة جسمك للأسطح المؤرضة كالأنابيب والمبردات والمواقد أو التلّاجات.** يزداد خطر الصدمات الكهربائية عندما يكون جسمك مؤرض أو موصل بالأرضي.

◀ **أبعد العدة الكهربائية عن الأمطار أو الرطوبة.** يزداد خطر الصدمات الكهربائية إن تسرب الماء إلى داخل العدة الكهربائية.

◀ **لا تسيّ استعمال الكابل.** لا تستخدم الكابل في حمل العدة الكهربائية أو سحبها أو سحب القابس من المقبس. احرص على إبعاد الكابل عن الحرارة والزيت والحواف الحادة أو الأجزاء المتحركة. تزيد الكابلات التالفة أو المتشابكة من خطر الصدمات الكهربائية.

◀ **عند استخدام العدة الكهربائية خارج المنزل اقتصر على استخدام كابلات التمديد الصالحة للاستعمال الخارجي.** يقلل استعمال كابل تمديد

التي تدور بسرعة تزيد عن السرعة المسموحة، قد تنكسر وتتطاير.

◀ **يجب أن تناسب لقمة الفرز والتوابع الأخرى** حاضن العدة (ملقمة التثبيت) لعدتك الكهربائية بالضبط. إن عدد الشغل التي لا تتلائم مع حاضن عدد العدة الكهربائية بشكل دقيق تدور بشكل غير منظم وتهتز بشدة وقد تؤدي إلى فقدان التحكم بالعدة.

◀ **وجه العدة الكهربائية نحو قطعة الشغل فقط** عندما تكون في حالة التشغيل. قد يتشكل خطر الصدمات الارتدادية إن تكلبت عدة الشغل في قطعة الشغل.

◀ **لا تقترب بيدك من مجال الفرز ومن لقمة الفرز.** امسك بالمقبض الإضافي بواسطة يدك الثانية. عندما تقبض على ماكينة الفرز بكلتا اليدين، فلن يمكن إصابتها من قبل لقمة الفرز.

◀ **لا تقوم بالتفريز أبداً عبر القطع المعدنية أو المسامير واللواكب.** قد تتلف لقمة الفرز، فتؤدي إلى اهتزازات زائدة.

◀ **استخدم أجهزة تنقيب ملائمة للعثور على خطوط الإمداد غير الظاهرة، أو استعن بشركة الإمداد المحلية.** ملاسة الفطوط الكهربائية قد تؤدي إلى اندلاع النار وإلى الصدمات الكهربائية. حدوث أضرار ببط الغاز قد يؤدي إلى حدوث انفجارات. اختراق خط الماء يشكل الأضرار المادية أو قد يؤدي إلى الصدمات الكهربائية.

◀ **لا تستخدم لقم الفرز الثالثة أو الثالثة.** إن لقم الفرز الثالثة أو الثالثة تنتج احتكاك زائد، وقد تنقمت وتؤدي إلى اختلال التوازن.

◀ **انتظر إلى أن تتوقف العدة الكهربائية عن الحركة قبل أن تضعها جانباً.** قد تتكلم عدة الشغل فتؤدي إلى فقدان السيطرة على العدة الكهربائية.

◀ **أمسك العدة الكهربائية جيداً بكلتا اليدين عند العمل، واحرص على أن تكون في وضعية ثابتة.** يتم توجيه العدة الكهربائية بأمان بواسطة اليدين الائنتين.

وصف المنتج والأداء

اقرأ جميع إرشادات الأمان والتعليمات. ارتكاب الأخطاء عند تطبيق إرشادات الأمان والتعليمات، قد يؤدي إلى حدوث صدمات الكهربائية أو إلى نشوب الحرائق و/أو الإصابة بجروح خطيرة.



يرجى الرجوع إلى الصور الموجودة في الجزء الأول من دليل التشغيل.

الاستعمال المخصص

لقد خصصت العدة الكهربائية لفرز الحزوز والمواف والأشكال الجانبية والثقوب الطولية بالخشب واللداثن ومواد البناء الخفيفة بالتركيز الثابت وتصلح أيضاً لفرز النسخ.

يمكن أيضاً معالجة المعادن غير الحديدية عند تقليل عدد اللفات واستخدام لقم فرز مناسبة.

الممكن التحكم بها عن طريق مفتاح التشغيل والإطفاء تعتبر خطيرة ويجب أن يتم إصلاحها.

◀ **اسحب القابس من المقبس و/أو اخلع** المركم، إذا كان قابلاً للخلع، قبل ضبط الجهاز وقبل استبدال الملحقات أو قبل تخزين الجهاز. تمنع هذه الإجراءات وقائية تشغيل العدة الكهربائية بشكل غير مقصود.

◀ **احتفظ بالعدد الكهربائية التي لا يتم استخدامها بعيداً عن متناول الأطفال.** لا تسمح باستخدام العدة الكهربائية لمن لا خبرة له بها أو لمن لم يقرأ تلك التعليمات. العدد الكهربائية خطيرة إن تم استخدامها من قبل أشخاص دون خبرة.

◀ **اعتن بالعدة الكهربائية والملحقات بشكل جيد.** تأكد أن أجزاء الجهاز المتحركة مركبة بشكل سليم وغير مستعصية عن الحركة، وتفحص ما إن كانت هناك أجزاء مكسورة أو في حالة تؤثر على سلامة أداء العدة الكهربائية. ينبغي إصلاح هذه الأجزاء التالفة قبل إعادة تشغيل الجهاز. الكثير من الموادث مصدرها العدد الكهربائية التي تتم صيانتها بشكل رديء.

◀ **احرص على إبقاء عدد القطع نظيفة وحادة.** إن عدد القطع ذات حواف القطع المادة التي تم صيانتها بعناية تتكلم بشكل أقل ويمكن توجيهها بشكل أيسر.

◀ **استخدم العدد الكهربائية والتوابع وربش الشغل إلخ.** وفقاً لهذه التعليمات. تراعى أثناء ذلك ظروف الشغل والعمل المراد تنفيذه. استخدام العدد الكهربائية لغير الأشغال المخصصة لأجلها قد يؤدي إلى حدوث الحلات الخطيرة.

◀ **احرص على إبقاء المقابض وأسطح المسك جافة ونظيفة وخالية من الزيوت والشحوم.** المقابض وأسطح المسك الزلقة لا تتبع التشغيل والتحكم الآمن في العدة في المواقف غير المتوقعة.

الخدمة

◀ **احرص على إصلاح عدتك الكهربائية فقط بواسطة العمال المتخصصين وباستعمال قطع الغيار الأصلية فقط.** يضمن ذلك المحافظة على أمان الجهاز.

إرشادات الأمان لماكينات التفريز العلوية

◀ **أمسك العدة الكهربائية من أسطح المسك المعزولة فقط، حيث يمكن للقاطعة أن تلامس السلك الخاص بها.** قطع سلك «مكهرب» قد يتسبب في مرور التيار في الأجزاء المعدنية من العدة وجعلها «مكهربة» مما قد يصيب المشغل بصدمة كهربائية.

◀ **استخدم قامطات أو طريقة عملية أخرى لتأمين قطعة الشغل وتدعيمها على منصة ثابتة.** مسك قطعة الشغل بيدك أو سندها على جسمك يجعلها غير ثابتة وقد يؤدي إلى فقدان السيطرة.

◀ **يجب أن يوافق عدد لفات لقمة الفرز المسموح به عدد اللفات الأقصى المذكور على العدة الكهربائية على الأقل.** إن لقم الفرز

البيانات الفنية

ماكينة تفريز علوية		GOF 130	
رقم الصنف	3 601 FB7 0..		
قدرة الدخل الاسمية	واط	1300	
عدد اللفات اللاحملي	دقيقة ¹	28000-11000	
ضبط عدد اللفات مسبقًا			●
المثبت الإلكتروني			●
وصلة لشطف الغبار			●
أظرف طوقية متوافقة	مم	6/8	
	بوصة	¼	
شوط سلة الفرز	مم	55	
الوزن حسب EPTA-Procedure 01/2014	كجم	3,5	
فئة الحماية			II/□

تسري البيانات على جهد اسمي [U] يبلغ 230 فولت. قد تختلف تلك البيانات حسب اختلاف الجهد والطرقات الخاصة بكل دولة.

التركيب

◀ اسحب القابس من مقبس الشبكة الكهربائية قبل إجراء أي عمل على العدة الكهربائية.

تركيب لقمة الفرز (انظر الصورة A)

◀ ينصح بارتداء قفازات واقية عند تركيب واستبدال لقم الفرز.

تتوفر لقم الفرز بطرازات ونوعيات مختلفة حسب غرض الاستخدام المطلوب.

تعد لقم الفرز المصنوعة من الفولاذ عالي الكفاءة وسريع القطع (HSS) مناسبة للعمل على المواد اللينة مثل الخشب اللين والبلاستيك.

لقم الفرز ذات حواف القطع من المعدن الصلب (HM) تلائم بشكل خاص الخامات الصلبة والحاكة مثل الخشب الصلب والألومنيوم.

يمكنك الحصول على عدد الفرز الأصلية من برنامج بوش للملحقات أو من التاجر المتخصص.

ركب لقم الفرز السليمة والتنظيف فقط.

- قم بطي واقية النشارة (5) إلى أسفل.

- اضغط على زر تثبيت محور الدوران (3) واحتفظ به مضغوطًا. أدر عند اللزوم محور دوران المحرك يدويًا، حتى يثبت.

- قم بفك صامولة الوصل (21) باستخدام المفتاح الهلالي (22) (مقاس المفتاح 19 مم) من خلال إدارته في اتجاه الدوران ①.

- أدخل لقمة الفرز في الطرف الطوقي. ويجب أن تكون ساق لقمة الفرز مدخلة بمقدار 20 مم على الأقل في الطرف الطوقي.

- قم بإحكام ربط صامولة الوصل (21) باستخدام المفتاح الهلالي (22) (مقاس المفتاح 19 مم) خلال إدارته في اتجاه الدوران ②. اترك زر تثبيت محور الدوران (3).

- قم بفتح واقية النشارة (5) إلى أعلى.

الأجزاء المصورة

يشير ترقيم الأجزاء المصورة إلى رسوم العدة الكهربائية الموجودة في صفحة الرسوم التخطيطية.

- (1) زر قفل مفتاح التشغيل والإطفاء
- (2) مقبض يدوي أيمن (سطح القبض معزول)
- (3) زر تثبيت محور الدوران
- (4) لولب مجنح للقضيبين الدليليين لمصد التوازي (2×)
- (5) واقية نشارة
- (6) صفيحة القاعدة
- (7) اللوح الانزلاقي
- (8) حاضن القضيبين الدليليين لمصد التوازي
- (9) مصد مدرج
- (10) جلبة واقية
- (11) لولب مجنح لضبط محدد العمق
- (12) مزلاج مع علامة دليلية
- (13) محدد العمق
- (14) مقياس ضبط عمق الفرز
- (15) مقبض يدوي أيسر (سطح القبض معزول)
- (16) ذراع شد لتثبيت عمق التفريز
- (17) ذراع تحرير شيلونة النسخ
- (18) لقمة الفرز^(a)
- (19) مفتاح التشغيل والإطفاء
- (20) طارة ضبط عدد اللفات مسبقًا
- (21) صامولة وصل مع ظرف طوقي
- (22) المفتاح الهلالي (19 مم)
- (23) خرطوم الشفط (بقطر 35 مم)^(a)
- (24) مهائب الشفط
- (25) لولب محرز لمهائب شفط (2×)
- (26) قضيب دليلي لمصد التوازي (2×)
- (27) مصد التوازي
- (28) خابور التمركز^(a)
- (29) لولب مجنح لخابور التمركز^(a)
- (30) مصد منحنيات^(a)
- (31) فرجار الفرز/مهائب سكة التوجيه^(a)
- (32) مقبض فرجار الفرز^(a)
- (33) لولب مجنح للضبط التقريبي لفرجار الفرز (2×)^(a)
- (34) لولب مجنح للضبط الدقيق لفرجار الفرز (1×)^(a)
- (35) مفتاح دوار للضبط الدقيق لفرجار الفرز^(a)
- (36) لولب التمركز^(a)
- (37) سكة التوجيه^(a)
- (38) صفيحة المباعدة (موجودة في طقم «فرجار التفريز»)
- (39) جلبة نسخ

(a) لا يتضمن إطار التوريد الاعتيادي التوابع المصورة أو المشروحة. تجد التوابع الكاملة في برنامجنا للتوابع.

التشغيل

- يراعى جهد الشبكة الكهربائية! يجب أن يتطابق جهد منبع التيار مع البيانات المذكورة على لوحة صنع العدة الكهربائية. يمكن أن يتم تشغيل العدة الكهربائية المميزة بعلامة 230 فلط في مقبس 220 فلط أيضا.

بدء التشغيل

ضبط عدد الدوران مسبقا

يمكنك بواسطة عجلة ضبط عدد الدوران مسبقا (20) ضبط عدد اللفات المطلوب مسبقا حتى أثناء التشغيل.

2-1	عدد لفات منخفض
4-3	عدد لفات متوسط
6-5	عدد لفات مرتفع

إن القيم المذكورة في الجدول هي عبارة عن قيم دليلية. يرتبط عدد اللفات الضروري بقطعة الشغل وظروف العمل ويمكن تقديره من خلال التجربة العملية.

مادة الشغل	قطر لقمة الفرز [مم]	وضع طارة الضبط
الخشب الصلب (الزان)	10-4	6-5
	20-12	4-3
	40-22	2-1
الخشب اللين (الصنوبر)	10-4	6-5
	20-12	6-3
	40-22	3-1
ألواح الخشب المضغوط	10-4	6-3
	20-12	4-2
	40-22	3-1
البلاستيك	15-4	3-2
	40-16	2-1
ألومنيوم	15-4	2-1
	40-16	1

التشغيل والإطفاء

قبل التشغيل أو الإطفاء قم بضبط عمق الفرز. لغرض تشغيل العدة الكهربائية اضغط **أولا** على زر القفل (1) ثم على مفتاح التشغيل والإطفاء (19) وامسك به مضغوطا.

لغرض تثبيت مفتاح التشغيل والإطفاء (19) اضغط على زر القفل (1) مجددا.

لغرض الإطفاء اترك مفتاح التشغيل والإطفاء (19) في حالة استخدام زر القفل (1) في تثبيت مفتاح التشغيل والإيقاف (19) اضغط لوهلة قصيرة على زر التشغيل والإيقاف (19) ثم اتركه مجددا.

المثبت الإلكتروني

يحافظ المثبت الإلكتروني على شبه ثبات عدد الدوران عند التشغيل دون حمل والتشغيل مع حمل، مما يضمن قدرة عمل منتظمة.

ضبط عمق التفريز (انظر الصورة D)

يجوز ضبط عمق الفرز فقط عندما تكون العدة الكهربائية مطفاة.

لا تقم بتركيب لقم فرز بقطر يزيد عن 50 مم دون أن تكون جلبة النسخ مركبة. حيث إن لقم الفرز هذه لا تدخل في صفيحة القاعدة.

لا تقم أبدا بإحكام ربط الظرف الطوقي مع صامولة الزنق طالما أن لقمة الفرز غير مركبة. وإلا فقد يتعرض الظرف الطوقي للضرر.

شفط الغبار/النشارة

إن غبار بعض المواد كالملاط الذي يحتوي على الرصاص، وبعض أنواع الخشب والفلزات والمعادن، قد تكون مضرّة بالصحة. إن ملامسة أو استنشاق غبار قد يؤدي إلى أعراض حساسية و/أو إلى أمراض الجهاز التنفسي لدى المستخدم أو لدى الأشخاص المتواجدين على مقربة من المكان. تعتبر بعض الأغبرة المعينة، كأغبرة البليوط والزان، مسببة للسرطان، ولا سيما عند الارتباط بالمواد الإضافية لمعالجة الخشب (ملع جامض الكروميك، المواد الحافظة للخشب). يجوز أن يتم معالجة المواد التي تحتوي على الأسبستوس من قبل العمال المتخصصين فقط دون غيرهم.

– استخدم شفاطة غبار ملائمة للمادة قدر الإمكان.

– حافظ على تهوية مكان الشغل بشكل جيد.

– ينصح بارتداء قناع وقاية للتنفس بفئة المرشح P2. تراعى الأحكام السارية في بلدكم بالنسبة للمواد المرغوب معالجتها.

◀ تجنب تراكم الغبار بمكان العمل. يجوز أن تشتعل الأغبرة بسهولة.

تركيب مهائى الشفط

يمكن تركيب مهائى الشفط (24) مع وصلة الخرطوم في الأمام أو الخلف. أثناء التركيب مع وصلة الخرطوم في الأمام يجب خلع واقية النشارة (5). قم بتثبيت مهائى الشفط (24) باستخدام لولبين محززين (25) في صفيحة القاعدة (6).

ينبغي تنظيف مهائى الشفط (24) بشكل منتظم لتأمين عملية شفط مثالية.

توصيل تجهيز شفط الغبار (انظر الصورة B)

أدخل خرطوم شفط (بقطر 35 مم) (23) (التوابع) في فوهة الشفط المركبة. قم بتوصيل خرطوم الشفط (23) بشفاط الغبار (التوابع).

يمكن توصيل العدة الكهربائية مباشرة بمقيس شافطة Bosch الخوائية متعددة الأغراض المزودة بتجهيز التشغيل عن بعد. ويتم تشغيلها بشكل آلي عند تشغيل العدة الكهربائية.

يجب أن تصلح شافطة الغبار الخوائية للاستعمال مع مادة الشغل المرغوب معالجتها.

استخدم شافطة غبار خوائية خاصة عند شفط الأغبرة المضرّة بالصحة أو المسببة للسرطان أو شديدة الجفاف.

تركيب واقية النشارة (انظر الصورة C)

قم بتركيب واقية النشارة (5) من الأمام في الفتحة دليلية بحيث تثبت. لكي تفك واقية النشارة، يقبض عليها من الجانب ثم تسحب نحو الأمام.

التفريز مع مصد مساعد (انظر الصورة F)

يمكن تثبيت لوح أو عارضة خشبية بقطعة الشغل بمثابة مصد مساعد عند معالجة قطع الشغل الكبيرة، عند فرز المزوز مثلا، وتسيير ماكينة التفريز العلوية على مسار هذا المصد المساعد. حرك ماكينة التفريز العلوية على الجانب المسطح للوح الانزلاقي بالمصد المساعد.

تفريز الحواف والأشكال

عند فرز الحواف أو الأشكال دون مصد التوازي يجب أن تكون لقمة الفرز مجهزة بمحمل كريات أو بمحمل كريات.

وجه العدة الكهربائية بعد تشغيلها نمو قطعة الشغل من الجانب إلى أن يتلامس الود الدليلي أو محمل الكريات الخاص بلقمة الفرز مع حافة قطعة الشغل المرغوب معالجتها.

وجه العدة الكهربائية على امتداد مسار حافة قطعة الشغل. انتبه أثناء ذلك على تركيزها بشكل يوافق الزاوية المطلوبة. قد يؤدي الضغط الزائد إلى إتلاف حافة قطعة الشغل.

التفريز باستخدام مصد التوازي (انظر الصور H-G)

أدخل مصد التوازي (27) مع القضبان الدليلية (26) في صفيحة القاعدة (6) وأحكم ربطه باستخدام اللوالب (4) تبعا للمقاس المطلوب.

وجه العدة الكهربائية بعد تشغيلها بدفع أمامي منتظم وبضغط جانبي على مصد التوازي على امتداد مسار حافة قطعة الشغل.

تفريز الأقواس الدائرية (انظر الصور I-J)

قم بتوجيه مصد التوازي (27) بحيث تشير أسطح المصد إلى أعلى.

أدخل مصد التوازي (27) مع القضبان الدليلية (26) في صفيحة القاعدة (6) وأحكم ربطه باستخدام اللوالب (4) تبعا للمقاس المطلوب.

قم بتثبيت خابور التمرکز (28) باستخدام اللولب الممنع (29) من خلال التجويف بمصد التوازي (27). أدخل خابور التمرکز (28) في نقطة المنتصف التي تم تمييزها بالفوس الدائري، وقم بعملية التفريز بدفع متوازن.

الفرز مع مصد المنحنيات (انظر الصور L-K)

أدخل مصد التوازي (27) مع القضبان الدليلية (26) في صفيحة القاعدة (6) وأحكم ربطه باستخدام اللوالب (4) تبعا للمقاس المطلوب.

قم بتثبيت مصد المنحنيات مع بكرة التوجيه المركبة (30) خلال التجويف بمصد التوازي (27).

حرك العدة الكهربائية بضغط جانبي خفيف بمحاذاة حافة قطعة الشغل.

التفريز باستخدام فرجار التفريز (انظر الصورة M)

لتنفيذ أعمال التفريز الدائرية يمكنك استخدام فرجار التفريز/مهايئ سكة التوجيه (31). ركب فرجار الفرز كما تم توضيحه في الصورة.

اربط لولب التمرکز (36) في أسنان لولية فرجار الفرز. ركز رأس اللولب في منتصف القوس الدائري المرغوب فرزه، واحرص أثناء ذلك على غرز رأس اللولب في سطح مادة الشغل.

لضبط عمق الفرز التقريبي تتبع الإجراءات التالية:

– ضع العدة الكهربائية مع لقمة الفرز التي تم تركيبها على قطعة الشغل المرغوب معالجتها.

– اضبط المصد المدرج (9) على أدنى درجة، يثبت المصد التدريجي بشكل محسوس.

– قم بفك اللولب الممنع بمحدد العمق (11)، بحيث يصبح محدد العمق (13) حر الحركة.

– اضغط ذراع الشد لتثبيت عمق التفريز (16) في اتجاه الدوران 1 وحرك المفرزة العلوية ببطء إلى أسفل إلى أن تلامس لقمة الفرز (18) سطح قطعة الشغل. اترك ذراع الشد لتثبيت عمق التفريز (16) مرة أخرى لتثبيت عمق الغطس هذا. اضغط عند اللزوم على ذراع الشد لتثبيت عمق التفريز (16) في اتجاه الدوران 2، لتثبيته بشكل نهائي.

– اضغط محدد العمق (13) إلى أسفل، حتى يستقر على المصد التدريجي (9). اضبط المزلاج مع العلامة الدليلية (12) على المركز 0 بمقياس عمق الفرز (14).

– اضبط محدد العمق (13) على عمق التفريز المرغوب وأحكم ربط اللولب الممنع بمحدد العمق (11). احرص على عدم إزاحة المزلاج مع العلامة الدليلية (12) أثناء ذلك.

– اضغط على ذراع الشد لتثبيت عمق التفريز (16) في اتجاه الدوران 1 وحرك المفرزة العلوية إلى أعلى وضع.

مع أعماق التفريز الأعلى يجب القيام بعمليات معالجة بعدد أكبر مع سحب أقل للنشارة في كل عملية.

يمكن باستخدام المصد التدريجي (9) تقسيم عملية التفريز إلى عدة درجات. للقيام بهذا قم بضبط عمق التفريز المرغوب مع أدنى درجة للمصد التدريجي، ثم اختر لعمليات المعالجة الأولى درجات أعلى.

إرشادات العمل

◀ قم بحماية لقم الفرز من الدفع والصدمات.

◀ اسحب القابض من مقبس الشبكة الكهربائية قبل إجراء أي عمل على العدة الكهربائية.

اتجاه الفرز وعملية الفرز (انظر الصورة E)

◀ يجب أن تتم عملية الفرز دائما عكس اتجاه دوران لقمة الفرز (18) (دوران عكسي). في حالة الفرز في اتجاه الدوران (دوران في نفس الاتجاه) يمكن أن تنزلق العدة الكهربائية من يدك.

قم بضبط عمق الفرز المرغوب.

ضع العدة الكهربائية مع لقمة الفرز المركبة على قطعة الشغل المرغوب معالجتها وشغل العدة الكهربائية.

اضغط ذراع شد لتثبيت عمق التفريز (16) إلى أسفل وحرك المفرزة العلوية إلى أسفل ببطء، إلى أن يتم الوصول إلى عمق الفرز المضبوط. اترك ذراع شد لتثبيت عمق التفريز (16) مرة أخرى لتثبيت عمق الغطس هذا. اضغط ذراع شد لتثبيت عمق التفريز (16) إلى أعلى عند اللزوم، لتثبيته بشكل نهائي.

نفذ عملية الفرز بدفع منتظم نحو الأمام.

أعد توجيه ماكينة التفريز العلوية نحو المركز الأكثر ارتفاعا بعد إنهاء عملية الفرز.

اطفئ العدة الكهربائية.

◀ **احرص دائما على استخدام وحدة شفط في ظروف العمل القاسية قدر الإمكان. قم بتنظيف فتحات التهوية عدة مرات عن طريق فرشاة، و قم بتوصيل مفتاح للوقاية من التيار المتخلف (PRCD) بشكل مسبق.** قد يترسب الغبار الموصل للكهرباء داخل العدة الكهربائية عند معالجة المعادن. قد يضر ذلك بعزل العدة الكهربائية.

إذا تطلب الأمر استبدال خط الإمداد، فينبغي أن يتم ذلك من قبل شركة Bosch أو من قبل مركز خدمة الزبائن المعتمد لشركة Bosch للعدد الكهربائية، لتجنب التعرض للمخاطر.

خدمة العملاء واستشارات الاستخدام

يجيب مركز خدمة العملاء على الأسئلة المتعلقة بإصلاح المنتج وصيانته، بالإضافة لقطع الغيار. تمد الرسوم التفصيلية والمعلومات الخاصة بقطع الغيار في الموقع: www.bosch-pt.com
يسر فريق Bosch لاستشارات الاستخدام مساعدتك إذا كان لديك أي استفسارات بخصوص منتجاتنا وملحقاتها.
يلزم ذكر رقم الصنف ذو الخانات العشر وفقا للوحة صنع المنتج عند إرسال أية استفسارات أو طلبيات قطع غيار.

المغرب

Robert Bosch Morocco SARL
53، شارع الملازم محمد محروود
20300 الدار البيضاء
الهاتف: 212 5 29 31 43 27
البريد الإلكتروني: sav.outillage@ma.bosch.com

تجد المزيد من عناوين الخدمة تحت:

www.bosch-pt.com/serviceaddresses

التخلص من العدة الكهربائية

ينبغي تسليم العدد الكهربائية والتوابع والعبوة إلى مركز معالجة النفايات بطريقة محافظة على البيئة.
لا ترم العدد الكهربائية ضمن النفايات المنزلية.



اضبط نصف القطر المرغوب بشكل تقريبي من خلال إزاحة فرجار الفرز، وأحكم شد اللولبين المجمعين (33) و (34).

يسمح المفتاح الدوار (35) بضبط الطول بدقة بعد حل اللولب المجمع (34). تماثل كل دورة مسافة ضبط تبلغ 2,0 مم، إحدى شرطات التدرج في المفتاح الدوار (35) تماثل تغييرا في مسافة الضبط بمقدار 0,1 مم.

وجه العدة الكهربائية بعد تشغيلها عبر قطعة الشغل بواسطة المقبض اليدوي الأيمن (2) ومقبض فرجار الفرز (32).

التفريز باستخدام سكة التوجيه (انظر الصورة N)

يمكنك أن تنفذ إجراءات العمل المستقيمة بالاستعانة بسكة التوجيه (37).

ينبغي تركيب الصفيحة المباعدة (38) لتسوية فرق الارتفاع.

قم بتركيب فرجار الفرز/مهايئ سكة التوجيه (31) كما تم توضيحه في الصورة.

قم بتثبيت سكة التوجيه (37) على قطعة الشغل باستخدام تجهيزات شد مناسبة، مثل الملازم. ضع العدة الكهربائية مع تركيب مهايئ سكة التوجيه (31) على سكة التوجيه.

التفريز مع شبلونة النسخ (انظر الصور P-O)

بمساعدة شبلونة النسخ (39) يمكن نقل الملامح من النماذج أو القوالب لقطعة الشغل.

اختر شبلونة النسخ المناسبة حسب سمك قالب أو النموذج. نظرا للارتفاع الكبير لشبلونة النسخ يجب ألا يقل سمك القالب عن 8 مم.

حرك ذراع التحرير (17) و قم بتركيب شبلونة النسخ (39) في صفيحة القاعدة (6) من أسفل. يجب أن تثبت تنوءات التكويد أثناء ذلك في تجاويف شبلونة النسخ بشكل محسوس.

◀ اختر لقمة فرز قطرها أصغر من القطر الداخلي لشبلونة النسخ.

للقيام بعملية الفرز باستخدام شبلونة النسخ (39) تصرف كالتالي:

- وجه العدة الكهربائية بعد تشغيلها بشبلونة النسخ نحو القالب.

- اضغط ذراع شد لتثبيت عمق التفريز (16) إلى أسفل وحرك المفرزة العلوية إلى أسفل ببطء، إلى أن يتم الوصول إلى عمق الفرز المضبوط. اترك ذراع شد لتثبيت عمق التفريز (16) مرة أخرى لتثبيت عمق الغطس هذا. اضغط ذراع شد لتثبيت عمق التفريز (16) إلى أعلى عند اللزوم، لتثبيته بشكل نهائي.

- وجه العدة الكهربائية مع شبلونة النسخ البارزة بضغط جانبي خفيف على امتداد مسار النموذج.

الصيانة والخدمة

الصيانة والتنظيف

◀ اسحب القاس من مقبس الشبكة الكهربائية قبل إجراء أي عمل على العدة الكهربائية.

◀ للعمل بشكل جيد وأمن حافظ دائما على نظافة العدة الكهربائية وفتحات التهوية.

فارسی

دستورات ایمنی

نکات ایمنی عمومی برای ابزارهای برقی

هشدار

کلیه هشدارها، دستورالعملها، تصاویر و مشخصات ارائه شده به همراه ابزار برقی را مطالعه کنید. اشتباهات ناشی از عدم رعایت این دستورات ایمنی ممکن است باعث برق گرفتگی، سوختگی و یا سایر جراحات های شدید شود.

کلیه هشدارهای ایمنی و راهنماییها را برای آینده خوب نگهداری کنید.

عبارت «ابزار برقی» در هشدارها به ابزارهایی که به پریز برق متصل میشوند (با سیم برق) و یا ابزارهای برقی باتری دار (بدون سیم برق) اشاره دارد.

ایمنی محل کار

محیط کار را تمیز و روشن نگه دارید. محیطهای در هم ریخته یا تاریک احتمال بروز حادثه را افزایش میدهند.

ابزار برقی را در محیطهایی که خطر انفجار وجود دارد و حاوی مایعات، گازها و بخارهای متحرکه هستند، به کار نگیرید. ابزارهای برقی چرخههایی ایجاد میکنند که میتوانند باعث آتش گرفتن گرد و غبارهای موجود در هوا شوند.

هنگام کار با ابزار برقی، کودکان و سایر افراد را از دستگاه دور نگه دارید. در صورتیکه حواس شما پرت شود، ممکن است کنترل دستگاه از دست شما خارج شود.

ایمنی الکتریکی

دوشاخه ابزار برقی باید با پریز برق تناسب داشته باشد. هیچگونه تغییری در دوشاخه ایجاد نکنید. مبدل دوشاخه نباید همراه با ابزار برقی دارای اتصال زمین استفاده شود. دوشاخههای اصل و تغییر داده نشده و پریزهای مناسب، خطر برق گرفتگی را کاهش میدهند.

از تماس بدنی با قطعات متصل به سیم اتصال زمین مانند لوله، شوفاژ، اجاق برقی و یخچال خودداری کنید. در صورت تماس بدنی با سطوح و قطعات دارای اتصال به زمین و همچنین تماس شما با زمین، خطر برق گرفتگی افزایش می یابد.

ابزارهای برقی را در معرض باران و رطوبت قرار ندهید. نفوذ آب به ابزار برقی، خطر شوک الکتریکی را افزایش میدهد.

از سیم دستگاه برای مقاصد دیگر استفاده نکنید. هرگز برای حمل ابزار برقی، کشیدن آن یا خارج کردن دوشاخه از سیم دستگاه استفاده نکنید. کابل دستگاه را از حرارت، روغن، لیبهای تیز یا قطعات متحرک دور نگه دارید. کابلهای آسیب دیده و یا گره خورده خطر شوک الکتریکی را افزایش میدهند.

هنگام استفاده از ابزار برقی در محیطهای باز، تنها از کابل رابطی استفاده کنید که برای محیط باز نیز مناسب باشد. کابل های رابط

مناسب برای محیط باز، خطر برق گرفتگی را کم می کنند.

در صورت لزوم کار با ابزار برقی در محیط و اماکن مرطوب، باید از یک کلید حفاظتی جریان

خطا و نشستی زمین (کلید قطع کننده اتصال با زمین) استفاده کنید. استفاده از کلید حفاظتی

جریان خطا و نشستی زمین خطر برق گرفتگی را کاهش می دهد.

رعایت ایمنی اشخاص

حواس خود را خوب جمع کنید، به کار خود دقت کنید و با فکر و هوشیاری کامل با ابزار برقی کار کنید. در صورت خستگی و یا در صورتی که مواد مخدر، الکل و دارو استفاده کردهاید، با ابزار برقی کار نکنید. یک لحظه بی توجهی هنگام کار با ابزار برقی، میتواند جراحات های شدیدی به همراه داشته باشد.

از تجهیزات ایمنی شخصی استفاده کنید. همواره از عینک ایمنی استفاده نمایید.

استفاده از تجهیزات ایمنی مانند ماسک ضد گرد و غبار، کفشهای ایمنی ضد لغزش، کلاه ایمنی و گوشی محافظ متناسب با نوع کار با ابزار برقی، خطر مجروح شدن را کاهش میدهد.

مواظب باشید که ابزار برقی بطور ناخواسته بکار نیفتد. قبل از وارد کردن دوشاخه دستگاه در پریز برق، اتصال آن به باتری، برداشتن آن و یا حمل دستگاه، باید دقت کنید که ابزار برقی خاموش باشد. در صورتی که هنگام حمل دستگاه انگشت شما روی دکمه قطع و وصل باشد و یا دستگاه را در حالت روشن به برق بزنید، ممکن است سوانح کاری پیش آید.

قبل از روشن کردن ابزار برقی، همه ابزارهای تنظیم کننده و آپارها را از روی دستگاه بردارید. ابزار و آپارهایی که روی بخش های چرخنده دستگاه قرار دارند، میتوانند باعث ایجاد جراحات شوند.

وضعیت بدن شما باید در حالت عادی قرار داشته باشد. برای کار جای مطمئنی برای خود انتخاب کرده و تعادل خود را همواره حفظ کنید. به این ترتیب میتوانید ابزار برقی را در وضعیتهای غیر منتظره بهتر تحت کنترل داشته باشید.

لباس مناسب بپوشید. از پوشیدن لباسهای گشاد و حمل زینت آلات خودداری کنید. موها و لباس خود را از بخشهای در حال چرخش دستگاه دور نگه دارید. لباسهای گشاد، موی بلند و زینت آلات ممکن است در قسمتهای در حال چرخش دستگاه گیر کنند.

در صورتی که تجهیزاتی برای اتصال وسائل مکش گرد و غبار و یا وسیله جمع کننده گرد و غبار ارائه شده است، باید مطمئن شوید که این وسائل درست نصب و استفاده می شوند. استفاده از وسائل مکش گرد و غبار مصونیت شما را در برابر گرد و غبار زیاده تر میکند.

آشنایی با ابزار به دلیل کار کردن زیاد با آن نباید باعث سهل انگاری شما و نادیده گرفتن اصول ایمنی شود. بی دقتی ممکن است باعث بروز جراحاتی در عرض کسری از ثانیه شود.

روز جراحاتی در عرض کسری از ثانیه شود.

روز جراحاتی در عرض کسری از ثانیه شود.

روز جراحاتی در عرض کسری از ثانیه شود.

روز جراحاتی در عرض کسری از ثانیه شود.

روز جراحاتی در عرض کسری از ثانیه شود.

روز جراحاتی در عرض کسری از ثانیه شود.

روز جراحاتی در عرض کسری از ثانیه شود.

روز جراحاتی در عرض کسری از ثانیه شود.

روز جراحاتی در عرض کسری از ثانیه شود.

روز جراحاتی در عرض کسری از ثانیه شود.

روز جراحاتی در عرض کسری از ثانیه شود.

روز جراحاتی در عرض کسری از ثانیه شود.

روز جراحاتی در عرض کسری از ثانیه شود.

روز جراحاتی در عرض کسری از ثانیه شود.

روز جراحاتی در عرض کسری از ثانیه شود.

روز جراحاتی در عرض کسری از ثانیه شود.

روز جراحاتی در عرض کسری از ثانیه شود.

روز جراحاتی در عرض کسری از ثانیه شود.

روز جراحاتی در عرض کسری از ثانیه شود.

روز جراحاتی در عرض کسری از ثانیه شود.

روز جراحاتی در عرض کسری از ثانیه شود.

- ◀ **جهت ایمن و تثبیت کردن قطعه کار از گیره را یا سایر راههای تثبیت قطعه کار استفاده کنید.** نگهداشتن قطعه کار با دست یا تکیه دادن آن به بدن باعث بی ثباتی آن و از دست دادن کنترل روی آن می گردد.
- ◀ **سرعت مجاز فرزکاری باید حداقل معادل با حداکثر سرعت تعیین شده روی ابزار برقی باشد.** فرزی که بیش از حد مجاز بچرخد، ممکن است بشکند و به اطراف پرتاب شود.
- ◀ **تیغه فرز یا سایر متعلقات بایستی دقیقاً در ابزارگیر (کولت) ابزار برقی شما جای گیرند.** ابزار و متعلقاتی که کاملاً منطبق با ابزارگیر دستگاه نباشند، چرخش نامنظم و نوسان های شدیدی داشته و می توانند منجر به از دست دادن کنترل بشوند.
- ◀ **ابزار برقی را تنها در حال روشن بودن به طرف قطعه کار برانید.** در غیر اینصورت ممکن است ابزار روی دستگاه در قطعه کار گیر کرده و باعث ضربه زدن (پس زدن) دستگاه شود.
- ◀ **دستان خود را در محدوده فرزکاری یا دستگاه فرز قرار ندهید.** با دست دیگر خود، دسته کمکی را بگیرید. چنانچه با هر دو دست دستگاه فرز را نگهدارید، نمی تواند آسیبی از طریق ابزار دستگاه به دستان شما برسد.
- ◀ **روی سطح اشیاء فلزی، میخها یا پیچها را فرز نکنید.** امکان آسیب دیدن تیغه فرز و در نتیجه ارتعاش و نوسان شدید دستگاه وجود دارد.
- ◀ **برای پیدا کردن لوله ها و سیم های پنهان موجود در ساختمان و محدوده کار، از یک دستگاه ردیاب مخصوص برای یافتن لوله ها و سیمهای تأسیسات استفاده کنید و یا با شرکت های کارهای تأسیسات ساختمان و خدمات مربوطه تماس بگیرید.** تماس با کابل و سیمهای برق ممکن است باعث آتشسوزی و یا برق گرفتگی شود. ایراد و آسیب دیدگی لوله گاز میتواند باعث انفجار شود. سوراخ شدن لوله آب، باعث خسارت و یا برق گرفتگی میشود.
- ◀ **از فرز کردن با فرز آسیبدیده یا گند خودداری کنید.** تیغه فرز کند و یا آسیب دیده باعث اصطکاک شدید می شود، ممکن است گیر کند و منجر به از دست دادن تعادل بشود.
- ◀ **قبل از کنار گذاشتن ابزار برقی صبر کنید تا دستگاه بطور کامل از کار و حرکت بایستد.** ابزار ممکن است به قطعه کار گیر کرده و کنترل ابزار برقی از دست شما خارج شود.
- ◀ **ابزار برقی را هنگام کار با دو دست محکم بگیرید و وضعیت خود را ثابت و مطمئن کنید.** ابزار برقی با دو دست مطمئن تر هدایت می شود.

توضیحات محصول و کارکرد

همه دستورات ایمنی و راهنماییها را بخوانید. اشتباهات ناشی از عدم رعایت این دستورات ایمنی ممکن است باعث برقگرفتگی، سوختگی و یا سایر جراحات های شدید شود.



- ◀ **استفاده صحیح از ابزار برقی و مراقبت از آن از وارد کردن فشار زیاد روی دستگاه خودداری کنید.** برای هر کاری، از ابزار برقی مناسب با آن استفاده کنید. بکار گرفتن ابزار برقی مناسب باعث میشود که بتوانید از توان دستگاه بهتر و با اطمینان بیشتر استفاده کنید.
- ◀ **در صورت ایراد در کلید قطع و وصل ابزار برقی، از دستگاه استفاده نکنید.** ابزار برقی که نمی توان آنها را قطع و وصل کرد، خطرناک بوده و باید تعمیر شوند.
- ◀ **قبل از تنظیم ابزار برقی، تعویض متعلقات و یا کنار گذاشتن آن، دوشاخه را از برق بکشید و یا باتری آنرا خارج کنید.** رعایت این اقدامات پیشگیری ایمنی از راه افتادن ناخواسته ابزار برقی جلوگیری می کند.
- ◀ **ابزار برقی را در صورت عدم استفاده، از دسترس کودکان دور نگه دارید و اجازة ندهید که افراد ناوارد و یا اشخاصی که این دفترچه راهنما را نخواندهاند، با این دستگاه کار کنند.** قرار گرفتن ابزار برقی در دست افراد ناوارد و بی تجربه خطرناک است.
- ◀ **از ابزار برقی و متعلقات خوب مراقبت کنید.** مواظب باشید که قسمت های متحرک دستگاه خوب کار کرده و گیر نکنند. همچنین دقت کنید که قطعات ابزار برقی شکسته و یا آسیب دیده نباشند. قطعات آسیب دیده را قبل از شروع به کار تعمیر کنید. علت بسیاری از سوانح کاری، عدم مراقبت کامل از ابزارهای برقی می باشد.
- ◀ **ابزار برش را تیز و تمیز نگه دارید.** ابزار برشی که خوب مراقبت شده و از لبه های تیز برخوردار است، کمتر در قطعه کار گیر کرده و بهتر قابل هدایت است.
- ◀ **ابزار برقی، متعلقات، متهای دستگاه و غیره را مطابق دستورات این جزوه راهنما به کار گیرید و به شرایط کاری و نوع کار نیز توجه داشته باشید.** استفاده از ابزار برقی برای عملیاتی به جز مقاصد در نظر گرفته شده، میتواند به بروز شرایط خطرناک منجر شود.
- ◀ **دستها و سطوح عایق را همواره خشک، تمیز و عاری از روغن و گریس نگه دارید.** دسته های لغزنده مانع ایمنی و کنترل در کار در شرایط غیر منتظره هستند.

سرویس

- ◀ **برای تعمیر ابزار برقی فقط به متخصصین حرفهای رجوع کنید و از قطعات یدکی اصل استفاده نمایید.** این باعث خواهد شد که ایمنی دستگاه شما تضمین گردد.

راهنماییهای ایمنی برای فرز بالاکار (افقی)

- ◀ **ابزار برقی را فقط از سطوح عایق آن در دست بگیرید، زیرا امکان تماس تیغه برش با کابل برق دستگاه وجود دارد.** در صورت برخورد با کابل "حامل جریان برق" ممکن است قسمتهای فلزی ابزار برقی نیز "حامل جریان برق" شوند و باعث بروز برق گرفتگی در کاربر گردند.

به تصویرهای واقع در بخشهای اول دفترچه راهنما توجه کنید.

موارد استفاده از دستگاه

این ابزار برقی، با داشتن پایه و قرارگاه محکم روی قطعه کار، برای فرزکاری در چوب، مواد پلاستیکی و مصالح ساختمانی سبک و همچنین برای شیار درآوردن، کنار تراشی، فرزکاری پروفیل ها و سوراخهای طویل و نیز برای نمونه سازی (کپی کاری) مناسب است.

همچنین می توان روی فلزات غیر آهنی در صورت کاهش سرعت و با تیغه های فرز مناسب کار کرد.

اجزاء دستگاه

شماره های اجزاء دستگاه که در تصویر مشاهده میشود، مربوط به شرح ابزار برقی می باشد که تصویر آن در این دفترچه آمده است.

- (1) دکمه قفل کن برای کلید روشن/خاموش
- (2) دسته راست (دارای روکش عایق)
- (3) دکمه قفل محور دستگاه
- (4) پیچ خروسکی برای میله های راهنمای گونبای موازی (2x)
- (5) محافظ تراشه
- (6) صفحه پایه
- (7) صفحه هدایت کننده
- (8) نگهدارنده میله های راهنمای گونبای موازی
- (9) اهرم تعیین سطح
- (10) روکش ایمنی
- (11) پیچ خروسکی برای تنظیم کننده عمق سوراخ
- (12) کشویی با شاخص
- (13) خط کش تعیین عمق سوراخ
- (14) درجه بندی تنظیم عمق فرزکاری
- (15) دسته چپ (دارای روکش عایق)
- (16) اهرم قفل کن برای قفل کردن عمق فرزکاری
- (17) اهرم آزادسازی برای شابلون یا قالب کپی کاری
- (18) فرز^(a)
- (19) کلید روشن/خاموش
- (20) چرخک تنظیم انتخاب سرعت
- (21) مهره کولت با کولت
- (22) آچار تخت (19 mm)
- (23) شیلنگ مکش (قطر 35 mm)^(a)
- (24) آداپتور دستگاه مکش
- (25) پیچ آجدار برای آداپتور دستگاه مکش (2x)
- (26) میله راهنما برای گونبای موازی (2x)
- (27) گونبای موازی
- (28) پین مرکزی^(a)
- (29) پیچ خروسکی برای پین مرکزی^(a)
- (30) نگهدارنده انحنای^(a)
- (31) مبدل پرگار/فرز/ریل راهنمای^(a)

(32) دسته برای پرگار فرز^(a)

(33) پیچ خروسکی برای تنظیم تقریبی پرگار فرز^{(a)(2x)}

(34) پیچ خروسکی برای تنظیم دقیق پرگار فرز (1x)^(a)

(35) دکمه چرخشی برای تنظیم دقیق پرگار فرز^(a)

(36) پیچ مرکزی^(a)

(37) ریل راهنمای^(a)

(38) صفحه فاصله (در ست "پرگار فرز" موجود است)

(39) شابلون یا قالب کپی کاری

(a) کلیه متعلقاتی که در تصویر و یا در متن آمده است، بطور معمول همراه دستگاه ارائه نمی شود. لطفا لیست کامل متعلقات را از فهرست برنامه متعلقات اقتباس نکنید.

مشخصات فنی

دستگاه فرز بالا کار		GOF 130
شماره فنی	3 601 FB7 0..	
توان ورودی نامی	W	1300
تعداد دور در حالت بدون بار	min ⁻¹	11000-28000
انتخاب سرعت		●
تثبیت کننده الکترونیکی		●
اتصال برای مکنده گرد و غبار		●
کولت های سازگار	mm	6/8
	inch	¼
ارتفاع قسمت بالای فرز	mm	55
وزن مطابق استاندارد EPTA-Procedure 01:2014	kg	3,5
کلاس ایمنی		II/□

مقادیر برای ولتاژ نامی [U] 230 ولت میباشد. برای ولتاژهای مختلف و تولیدات مخصوص کشورها، ممکن است این مقادیر متفاوت باشند.

نصب

◀ **پیش از انجام هرگونه کاری بر روی ابزار الکتریکی، دوشاخه اتصال آنرا از داخل پریز برق بیرون بکشید.**

قرار دادن تیغه فرز (رجوع کنید به تصویر A)

◀ **توصیه می شود برای نصب و جاگذاری تیغه فرز و همچنین برای تعویض آن، از دستکش ایمنی استفاده کنید.**

برحسب موارد بکارگیری، تیغه های فرز در مدل ها و کیفیت های مختلف قابل دریافت هستند.

تیغه فرزهای دارای فولاد تراش سریع توان بالا (HSS) جهت کار کردن روی مواد نرم مانند چوب نرم و پلاستیک مناسب هستند.

تیغه فرزهای دارای برش فلز سخت و زیر (HM) مخصوص برای مواد سخت و آلومینیوم مانند چوب سخت و آلومینیوم مناسب می باشند.

تیغه های فرز اصل از برنامه جامع متعلقات بوش را می توانید از فروشگاههای تخصصی خریداری کنید.

نصب مکنده گرد و غبار (رجوع کنید به تصویر B)

شیلنگ مکش (قطر 35 میلیمتر) (23) (متعلقات) را روی آداپتور مکش نصب کنید. شیلنگ مکش (23) را به یک دستگاه مکنده متصل کنید (متعلقات).

ابزار برقی میتواند بطور مستقیم به پرز یک مکنده چند منظوره Bosch با سیستم فعالسازی از راه دور متصل شود. با روشن کردن ابزار برقی، دستگاه مکنده متصل شده نیز بطور اتوماتیک روشن می شود.

دستگاه مکنده باید برای جنس قطعه کار مورد نظر مناسب باشد.

برای مکش گرد و غباری که برای سلامتی مضر و سرطان زا هستند و یا برای مکش تراشه های خشک باید از یک دستگاه مکنده مخصوص استفاده کنید.

نصب محافظ تراشه (رجوع کنید به تصویر C)

محافظ تراشه (5) را طوری از جلو در راهنما قرار دهید که چا بیفتند. برای برداشتن، محافظ تراشه را از طرفین بگیرید و به طرف جلو بکشید.

عملکرد

◀ به ولتاژ شبکه برق توجه کنید! ولتاژ منبع جریان برق باید با مقادیر موجود بر روی برچسب ابزار الکتریکی مطابقت داشته باشد. ابزارهای برقی را که با ولتاژ 230 V ولت مشخص شده اند، می توان تحت ولتاژ 220 V ولت نیز بکار برد.

راه اندازی

نحوه انتخاب سرعت

با چرخک تنظیم انتخاب سرعت (20) می توان سرعت لازم را حتی هنگام کار انتخاب کرد.

1-2	سرعت کم
3-4	سرعت متوسط
5-6	سرعت بالا

مقادیر درج شده در جدول، مقدار صحیح هستند. سرعت مورد نیاز بسته به جنس قطعه کار و شرایط دارد و می توان در جریان کار آزمایشی تعیین گردد.

جنس قطعه کار	قطر تیغه فرز [میلیمتر]	موقعیت چرخک تنظیم
چوب سخت (چنار)	4-10	5-6
	12-20	3-4
	22-40	1-2
چوب نرم (کاج)	4-10	5-6
	12-20	3-6
	22-40	1-3
نئوپان	4-10	3-6
	12-20	2-4
	22-40	1-3
پلاستیک	4-15	2-3
	16-40	1-2
	16-40	1
آلومینیوم	4-15	1-2
	16-40	1

فقط از تیغه های فرز سالم و تمیز استفاده کنید.

– محافظ تراشه (5) را به سمت پایین خم کنید.

– دکمه قفل محور دستگاه (3) را فشار دهید و آن را فشرده نگه دارید. در صورت نیاز، محور موتور را با دست بچرخانید تا قفل شود.

– مهره کولت (21) را با آچار تخت (22) (عرض دهانه 19 mm) به وسیله چرخاندن در جهت چرخش ⚙، باز کنید.

– تیغه فرز را به طرف کولت برانید. شفت فرز باید حداقل 20 mm در کولت رانده شود.

– مهره کولت (21) را با آچار تخت (22) (عرض دهانه 19 mm) به وسیله چرخاندن در جهت چرخش ⚙ محکم کنید. دکمه قفل محور دستگاه (3) را آزاد کنید.

– محافظ تراشه (5) را به سمت بالا خم کنید.

◀ بدون نصب قالب کپی کاری از فرزهای دارای قطر بیشتر از 50 میلیمتر استفاده نکنید. این فرزها به صفحه پایه نمی خورند.

◀ کولت همراه با مهره کلاهی به هیچ عنوان بدون نصب بودن فرز، سفت نکنید. مهره کلاهی (کولت) ممکن است آسیب ببیند.

مکش گرد و غبار و تراشه

گرد و غبار موادی مانند رنگ های دارای سرب، بعضی از چوب ها، مواد معدنی و فلزات میتوانند برای سلامتی مضر باشند. دست زدن و یا تنفس کردن گرد و غبار ممکن است باعث بروز آلرژی و یا بیماری مجاری تنفسی شخص استفاده کننده و یا افرادی که در آن نزدیکی میباشند، بشود.

گرد و غبارهای مخصوصی مانند گرد و غبار درخت بلوط و یا درخت راش سرطان زا هستند، بخصوص ترکیب آنها با سایر موادی که برای کار بر روی چوب (کرومات، مواد برای محافظت از چوب) بکار برده میشوند. فقط افراد متخصص مجازند با موادی که دارای آزیست میباشند کار کنند.

– حتی الامکان از یک دستگاه مکش مناسب و درخور ماده (قطعه کار) استفاده کنید.

– توجه داشته باشید که محل کار شما از تهویه هوای کافی برخوردار باشد.

– توصیه میشود از ماسک تنفسی ایمنی با درجه فیلتر P2 استفاده کنید.

به قوانین و مقررات معتبر در کشور خود در رابطه با استفاده از مواد و قطعات کاری توجه کنید.

◀ از تجمع گرد و غبار در محل کار جلوگیری کنید. گرد و غبار می توانند به آسانی مشتعل شوند.

نحوه نصب آداپتور دستگاه مکش

آداپتور دستگاه مکش (24) می تواند با اتصال شیلنگ به سمت جلو یا عقب نصب شود. هنگام نصب با اتصال شیلنگ جلو باید ابتدا محافظ تراشه (5) برداشته شود. آداپتور دستگاه مکش (24) را با 2 پیچ آچار (25) روی صفحه پایه (6) تثبیت کنید.

برای تضمین مکش بهینه باید آداپتور مکش (24) بطور مرتب تمیز شود.

در مورد عمق های بزرگتر فرز باید مراحل کاری بیشتری را با برداشت تراشه کمتر اجرا کنید. به کمک اهرم تعیین سطح (9) می توانید فرآیند فرزکاری را روی درجات بیشتر تقسیم کنید. بدین منظور، عمق فرزکاری دلخواه را روی پایین ترین سطح اهرم تعیین سطح تنظیم کنید و برای اولین مرحله کاری، ابتدا بالاترین سطح را انتخاب نمایید.

نکات عملی

◀ تیغه فرز را در برابر ضربه و فشار محافظت کنید.

◀ پیش از انجام هرگونه کاری بر روی ابزار الکتریکی، دو شاخه اتصال آنرا از داخل پریز برق بیرون بکشید.

جهت و فرآیند فرزکاری (رجوع کنید به تصویر E)

◀ فرآیند فرزکاری باید همواره خلاف جهت گردش فرز (18) انجام پذیرد (جهت مخالف).

در صورت فرزکاری در جهت گردش فرز (جهت موافق) ممکن است ابزار برقی از دست شما رها شود.

عمق فرز دلخواه را تنظیم کنید.

ابزار برقی را با تیغه فرز نصب شده روی قطعه کار قرار دهید و ابزار برقی را روشن کنید.

اهرم قفل کن برای قفل کردن عمق فرزکاری (16) را به پایین فشار دهید و فرز بالا کار را آهسته به پایین برانید تا عمق فرزکاری تنظیم شده به دست آید. اهرم قفل کن برای قفل کردن عمق فرزکاری (16) را دوباره شل کنید تا عمق تورفتگی تثبیت شود. در صورت لزوم اهرم قفل کن برای قفل کردن عمق فرزکاری (16) را به بالا فشار دهید، تا آن را به صورت نهایی تثبیت کنید.

عمل فرز کاری را با حرکت یکنواخت انجام دهید.

پس از پایان فرزکاری، قسمت بالایی فرز را به بالاترین موقعیت برگردانید.

ابزار برقی را خاموش کنید.

فرزکاری با نگهدارنده کمکی (رجوع کنید

به تصویر F)

برای کار روی قطعات بزرگ، برای مثال در فرزکاری شیارها می توانید یک تخته یا نوار را به عنوان نگهدارنده کمکی در قطعه محکم کنید و سطح بالای فرز را در امتداد نگهدارنده کمکی برانید. سطح بالای فرز را در سمت صاف صفحه هدایت کننده در امتداد نگهدارنده کمکی برانید.

نحوه لبه دادن (کنار تراشی) و یا فرز کردن

طبق فرم

برای لبه دادن و یا فرز کردن طبق فرم بدون خط کش راهنمای موازی، باید تیغه فرز به یک راهنما و یا بلبرینگ مجهز باشد.

ابزار برقی را در حالیکه روشن است، از پهلو (سطح جانبی) به قطعه کار نزدیک کنید تا راهنما و یا بلبرینگ تیغه فرز روی لبه قطعه کار قرار بگیرد.

ابزار برقی را در امتداد لبه قطعه کار حرکت دهید. همزمان به زاویه قرار گرفتن آن بر روی قطعه کار توجه داشته باشید. فشار بیش از حد می تواند به لبه قطعه کار آسیب وارد کند.

روشن/خاموش کردن

عمق تیغه فرز را پیش از روشن/خاموش کردن تنظیم کنید.

برای روشن کردن ابزار برقی ابتدا دکمه قفل کن (1)، سپس کلید روشن/خاموش (19) را فشار دهید و آن را فشرده نگه دارید.

برای تثبیت کلید روشن/خاموش (19) دکمه قفل کن (1) را مجدداً فشار دهید.

برای خاموش کردن، کلید روشن/خاموش (19) را آزاد کنید. زمانی که با دکمه قفل کن (1) کلید روشن/خاموش (19) را تثبیت کرده اید، دکمه روشن/خاموش (19) را به صورت کوتاه فشار دهید و سپس آن را رها کنید.

تثبیت کننده الکترونیکی

تثبیت کننده الکترونیکی، سرعت را در حالت آزاد و در حال کاربرد دستگاه تقریباً ثابت نگاه داشته و این عمل کارکرد منظم دستگاه را تضمین می کند.

تنظیم عمق فرزکاری (رجوع کنید

به تصویر D)

تنظیم عمق فرزکاری باید فقط در صورت خاموش بودن ابزار برقی انجام گیرد.

برای تنظیم معمولی و تقریبی عمق فرزکاری به شرح زیر عمل کنید:

- ابزار برقی با تیغه فرز نصب شده را روی قطعه کار قرار دهید.

- اهرم تعیین سطح (9) را روی پایین ترین سطح تنظیم کنید؛ اهرم تعیین سطح به طور محسوس جا می افتد.

- پیچ خروسکی روی خط کش تعیین عمق سوراخ (11) را شل کنید طوری که خط کش تعیین عمق سوراخ (13) به طور آزادانه حرکت کند.

- اهرم قفل کن برای قفل کردن عمق فرزکاری (16) را در جهت چرخش 1 فشار دهید و فرز بالا کار را به طور آهسته به سمت پایین هدایت کنید تا فرز (18) با سطح بالایی قطعه کار تماس پیدا کند. اهرم قفل کن برای قفل کردن عمق فرزکاری (16) را دوباره آزاد کنید تا این عمق تورفتگی تثبیت شود. در صورت لزوم اهرم قفل کن برای قفل کردن عمق فرزکاری (16) را در جهت چرخش 2 فشار دهید، تا آن را به صورت نهایی تثبیت کنید.

- خط کش تعیین عمق سوراخ (13) را به سمت پایین فشار دهید تا روی اهرم تعیین سطح (9) قرار بگیرد. کشویی را با علامت شاخص (12) روی موقعیت 0 درجه بندی عمق فرزکاری (14) قرار دهید.

- خط کش تعیین عمق سوراخ (13) را روی عمق فرزکاری دلخواه قرار دهید و پیچ خروسکی روی خط کش تعیین عمق سوراخ (11) را محکم کنید. به این نکته توجه داشته باشید که کشویی با علامت شاخص (12) را دیگر تغییر ندهید.

- اهرم قفل کن برای قفل کردن عمق فرزکاری (16) را در جهت چرخش 1 فشار دهید و فرز بالا کار را به بالاترین موقعیت هدایت کنید.

ریل راهنما (37) را با تجهیزات محکم کاری برای مثال گیره پیچی روی قطعه کار محکم کنید. ابزار برقی با مبدل ریل راهنما (31) نصب شده را روی ریل راهنما قرار دهید.

فرزکاری با شابلون یا قالب کپی کاری (رجوع کنید به تصاویر P-O)

به کمک شابلون یا قالب کپی کاری (39) می توانید طرح کلی مدل ها یا شابلون ها را روی قطعه های کار انتقال داد.

برحسب قطر شابلون یا قالب کپی کاری یا نمونه، شابلون یا قالب کپی کاری مناسب را انتخاب کنید. به دلیل ارتفاع برآمده شابلون یا قالب کپی کاری باید شابلون حداقل ضخامت 8 mm داشته باشد.

اهرم آزادسازی (17) را حرکت دهید و شابلون یا قالب کپی کاری (39) را از پایین در صفحه پایه (6) قرار دهید. کد دندانه ای (برآمدگی مشخص روی قاب محافظ) باید به طور واضح در شکافهای شابلون یا قالب کپی کاری جا بیفتند.

◀ قطر تیغه فرز را کمتر از قطر داخلی شابلون یا قالب کپی کاری انتخاب کنید.

برای فرزکاری با شابلون یا قالب کپی کاری (39) به شرح زیر عمل کنید:

- ابزار برقی روشن شده را با شابلون یا قالب کپی کاری به شابلون نزدیک کنید.
- اهرم قفل کن برای قفل کردن عمق فرزکاری (16) را به پایین فشار دهید و فرز بالا کار را به آرامی به پایین هدایت کنید تا به عمق فرزکاری تنظیم شده دست یابید. اهرم قفل کن برای قفل کردن عمق فرزکاری (16) را دوباره شل کنید تا این عمق تورفتگی تثبیت شود. در صورت لزوم اهرم قفل کن برای قفل کردن عمق فرزکاری (16) را به بالا فشار دهید، تا آن را به صورت نهایی تثبیت کنید.
- ابزار برقی همراه با شابلون یا قالب کپی کاری بر روی آنرا، با آوردن فشار جانبی در امتداد شابلون حرکت بدهید.

مراقبت و سرویس

مراقبت، تعمیر و تمیز کردن دستگاه

- ◀ پیش از انجام هرگونه کاری بر روی ابزار الکتریکی، دوشاخه اتصال آنرا از داخل پریز برق بیرون بکشید.
- ◀ ابزار الکتریکی و شیارهای تهویه آنرا تمیز نگاه دارید، تا ایمنی شما در کار تضمین گردد.
- ◀ در صورت شرایط کاری بسیار سخت در صورت امکان، همواره از یک سیستم مکند استفاده کنید. شیارهای تهویه را بطور مرتب توسط قلم مو تمیز و کلید محافظ جان (PRCD) را از قبل روشن کنید. هنگام کار با فلزات، امکان تجمع گرد و غبار آنها که رسانا هستند، در قسمت های داخلی ابزار برقی وجود دارد. امکان آسیب دیدن و از بین رفتن محافظ روکش عایق ابزار برقی وجود دارد.
- در صورت نیاز به یک کابل پدکی برای اتصال به شبکه برق، بایستی به شرکت Bosch و یا به نمایندگی مجاز

فرزکاری با گونیای موازی (رجوع کنید به تصاویر H-G)

گونیای موازی (27) با میله های راهنما (26) را در صفحه پایه (6) برانید و آن را به وسیله پیچ ها (4) مطابق با مقدار نیاز محکم کنید. ابزار برقی را درحالیکه روشن است با حرکت یکنواخت و آوردن فشار جانبی روی گونیای موازی، در امتداد لبه قطعه کار حرکت دهید.

فرزکاری قوس ها (رجوع کنید به تصاویر J-I)

گونیای موازی (27) را برگردانید، طوری که سطح تکیه گاه رو به بالا را نشان دهد. گونیای موازی (27) با میله های راهنما (26) را در صفحه پایه (6) برانید و آن را به وسیله پیچ ها (4) مطابق با مقدار نیاز محکم کنید. بین مرکزی (28) را با پیچ خروسی (29) از میان سوراخ روی گونیای موازی (27) محکم کنید. بین مرکزی (28) را در مرکز علامت گذری شده قوس وارد کنید و فرآیند فرزکاری را با وارد آوردن حرکات مساوی اجرا کنید.

فرزکاری با نگهدارنده انما (رجوع کنید به تصاویر L-K)

گونیای موازی (27) با میله های راهنما (26) را در صفحه پایه (6) برانید و آن را به وسیله پیچ ها (4) مطابق با مقدار نیاز محکم کنید. نگهدارنده انما را با میله راهنما (30) از میان سوراخ روی گونیای موازی (27) محکم کنید. ابزار برقی را با وارد آوردن فشار جانبی کم در امتداد لبه قطعه کار هدایت کنید.

فرزکاری با پرگار فرز (رجوع کنید به تصویر M)

برای عملیات فرزکاری گرد می توانید از مبدل پرگار فرز/ریل راهنما (31) استفاده کنید. پرگار فرز را مطابق شکل نصب کنید. پیچ مرکزی (36) را در روزه پرگار فرز پیچ کنید. نوک پیچ را در مرکز قوس مورد فرزکاری، وارد کنید، در این میان به این نکته توجه کنید که نوک پیچ با سطح بالایی قطعه کار درگیر شود.

شعاع دلخواه را به وسیله حرکت دادن پرگار فرز به طور تقریبی تنظیم کنید و پیچ خروسی (33) و (34) را محکم بچرخانید.

با دکمه فشاری (35) می توانید پس از شل کردن پیچ خروسی (34) طول را به طور دقیق تنظیم کنید. در این بین یک دور چرخیدن با یک مسیر تنظیم 2,0 mm مطابقت دارد، یکی از قسمت های خط دار روی دکمه چرخشی (35) با تغییر مسیر تنظیم حدوداً 0,1 mm مطابقت دارد.

ابزار برقی روشن شده را با دسته سمت راست (2) و دسته برای پرگار فرز (32)، بالای قطعه کار هدایت کنید.

فرزکاری با ریل راهنما (رجوع کنید به تصویر N)

با کمک ریل راهنما (37) می توانید فرآیند عملیات در حال انجام را به صورت خطی انجام دهید. برای جبران اختلاف ارتفاع باید صفحه فاصله (38) را نصب کنید. مبدل پرگار فرز/ریل راهنما (31) را همان طور که در تصویر نمایش داده شده است، نصب کنید.

Bosch (خدمات پس از فروش) برای ابزار آلات برقی مراجعه کنید تا از بروز خطرات ایمنی جلوگیری بعمل آید.

خدمات و مشاوره با مشتریان

خدمات مشتری، به سؤالات شما درباره تعمیرات، سرویس و همچنین قطعات یدکی پاسخ خواهد داد. نقشه‌های سه بعدی و اطلاعات مربوط به قطعات یدکی را در تارنمای زیر میابید:

www.bosch-pt.com

گروه مشاوره به مشتریان Bosch با کمال میل به سؤالات شما درباره محصولات و متعلقات پاسخ می‌دهند.

برای هرگونه سؤال و یا سفارش قطعات یدکی، حتماً شماره فنی 10 رقمی کالا را مطابق برچسب روی ابزار برقی اطلاع دهید.

ایران

روبرت بوش ایران - شرکت بوش تجارت پارس
میدان ونک، خیابان شهید خدای، خیابان آفتاب
ساختمان مادریران، شماره 3، طبقه سوم.

تهران 194834571

تلفن: 9821+ 42039000

آدرس سایر دفاتر خدماتی را در ادامه ببینید:

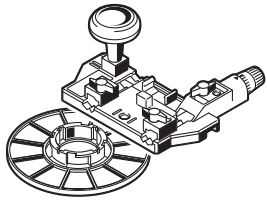
www.bosch-pt.com/serviceaddresses

از رده خارج کردن دستگاه

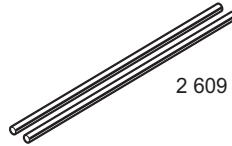
ابزار برقی، متعلقات و بسته بندی آن، باید طبق مقررات حفظ محیط زیست از رده خارج و بازیافت شوند.

ابزارهای برقی را داخل زباله دان خانگی نیندازید!

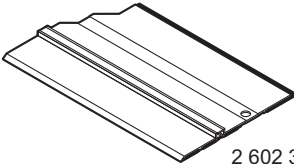




2 609 200 143



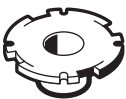
2 609 200 144 (L = 0,8 m)



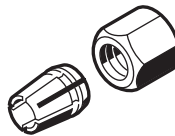
2 602 317 030 (L = 0,7 m)
2 602 317 031 (L = 1,4 m)



8 mm
1/4" } 2 608 000 498



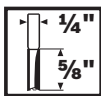
13 mm 2 609 200 138
17 mm 2 609 200 139
24 mm 2 609 200 140
27 mm 2 609 200 141
30 mm 2 609 200 142



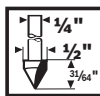
6 mm 2 608 570 100
8 mm 2 608 570 102
1/4" 2 608 570 101



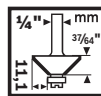
2 600 499 077



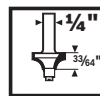
2 608 628 411



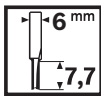
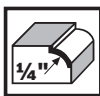
2 608 628 415



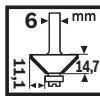
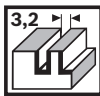
2 608 628 416



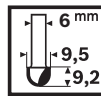
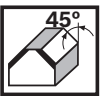
2 608 628 421



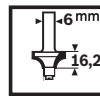
2 608 628 438



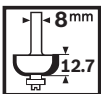
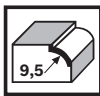
2 608 628 448



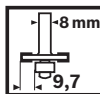
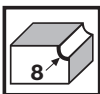
2 608 628 451



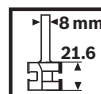
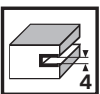
2 608 628 457



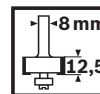
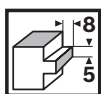
2 608 628 363



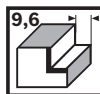
2 608 628 402



2 608 628 353

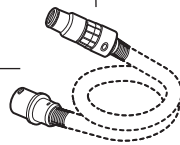


2 608 628 350





1 619 PA7 326



Ø 22 mm:
 2 608 000 571 (3 m)
 2 608 000 567 (5 m)
 Ø 35 mm:
 2 608 000 569 (3 m)
 2 608 000 565 (5 m)
 1 619 PB3 826 (3 m)

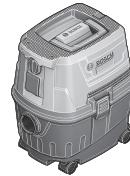


Ø 22 mm:
 2 608 000 572 (3 m)
 2 608 000 568 (5 m)
 Ø 35 mm:
 2 608 000 570 (3 m)
 2 608 000 566 (5 m)

2 608 000 585



Ø 35 mm:
 2 608 000 658 (1,6 m)



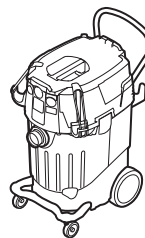
GAS 15 PS



GAS 12-25 PL



GAS 35 L SFC+
 GAS 35 L AFC
 GAS 35 M AFC



GAS 55 M AFC



GAS 18V-10 L