



GTS 254 Professional



Robert Bosch Power Tools GmbH
70538 Stuttgart
GERMANY

www.bosch-pt.com

1 609 92A 72G (2021.10) PS / 137

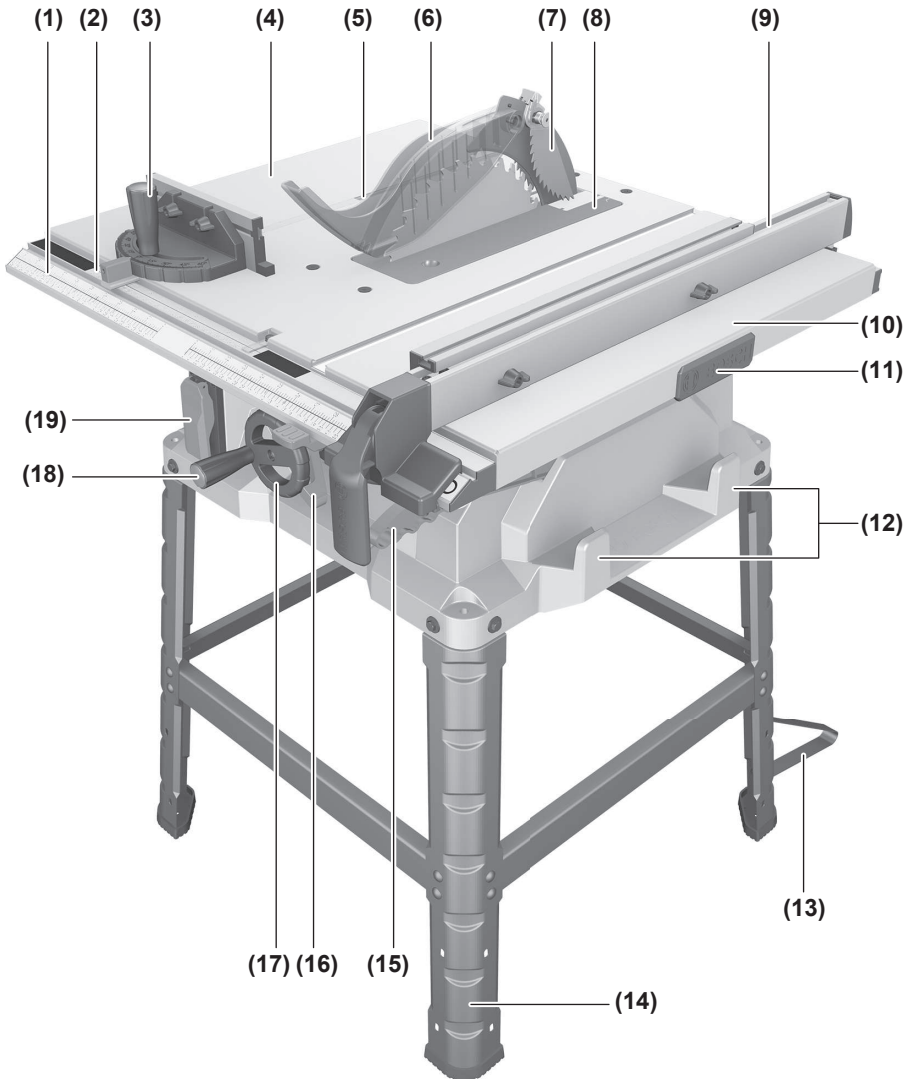


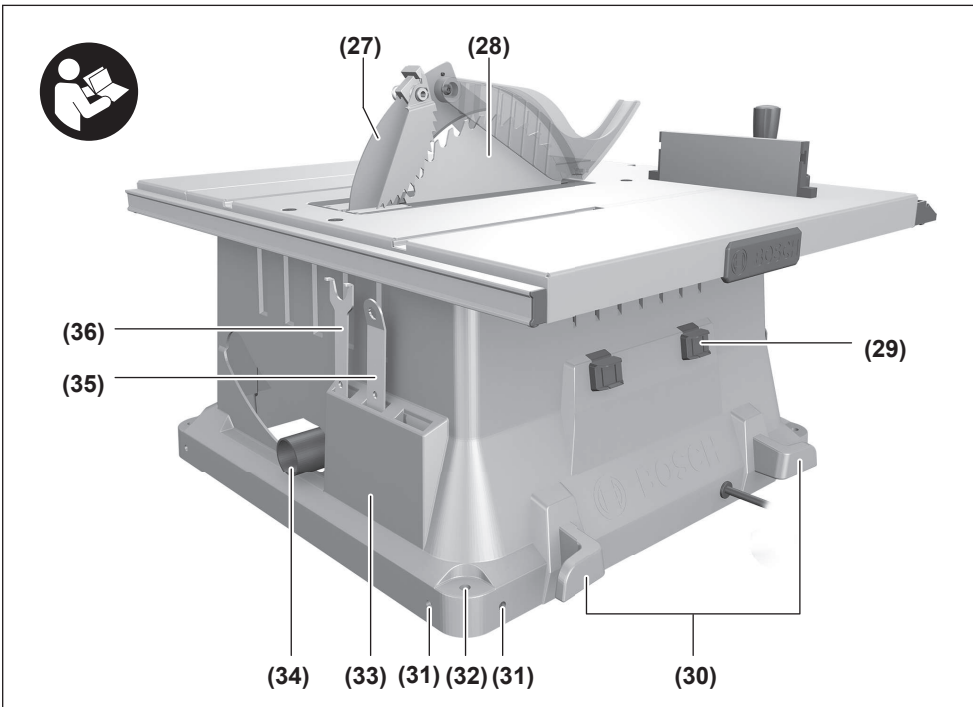
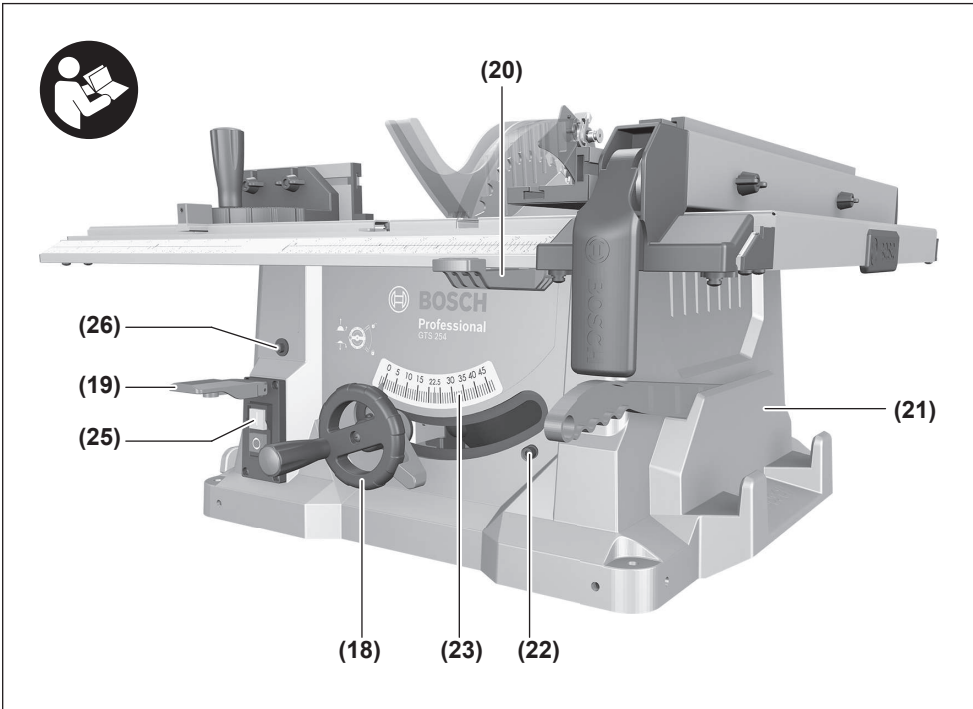
1 609 92A 72G

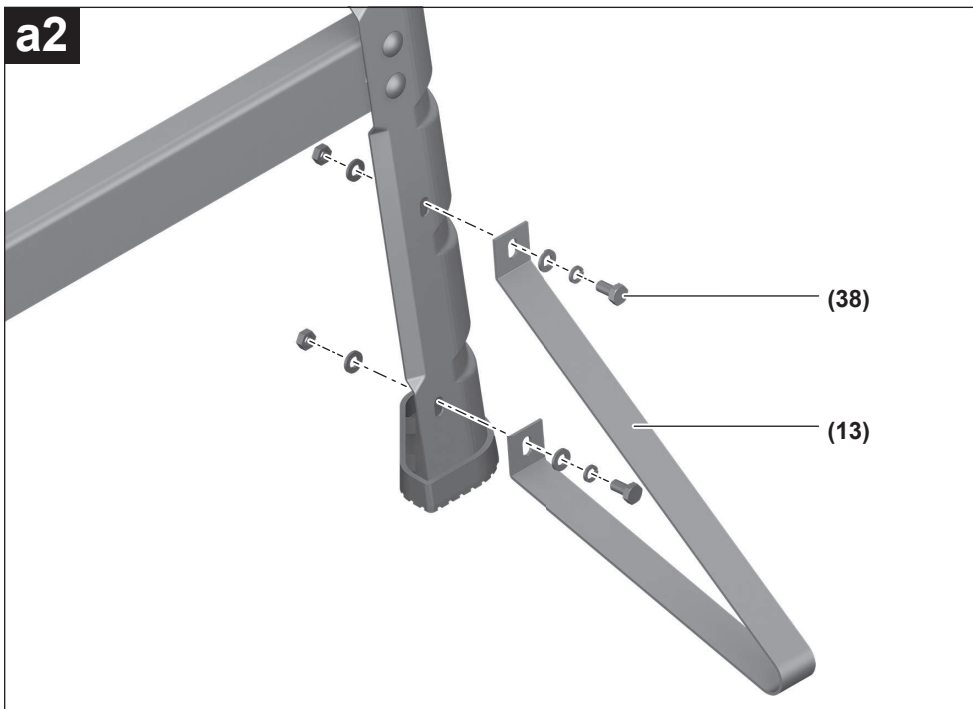
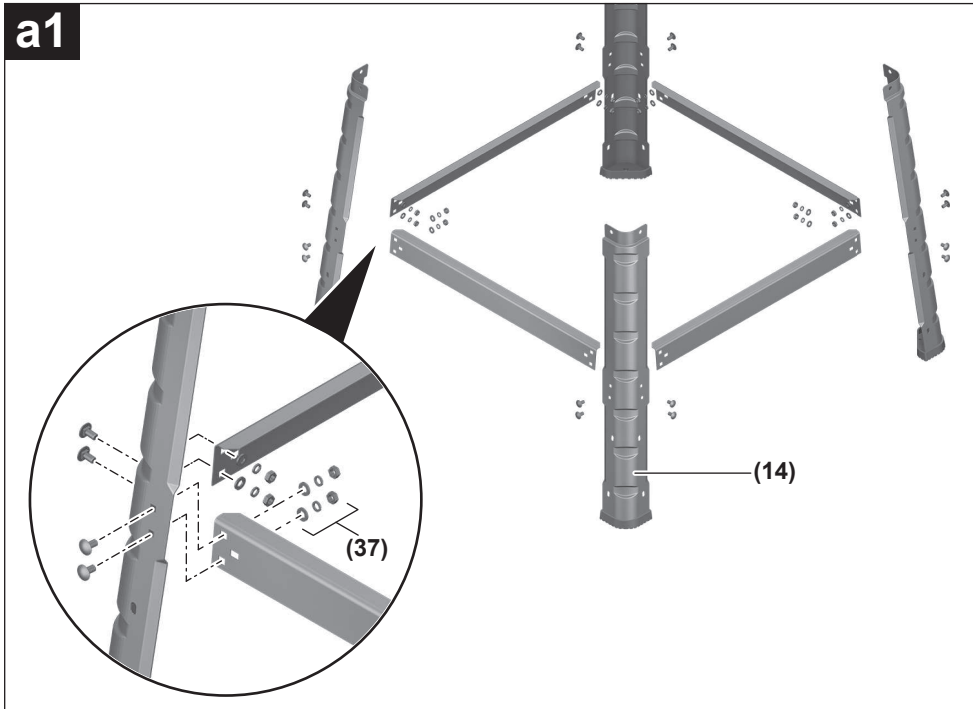
- en Original instructions
- fr Notice originale
- pt Manual original
- zh 正本使用说明书
- zh 原始使用說明書
- th หนังสือคู่มือการใช้งานฉบับต้นแบบ
- id Petunjuk-Petunjuk untuk Penggunaan Orisinal
- vi Bản gốc hướng dẫn sử dụng
- ar دليل التشغيل الأصلي
- fa دفترچه راهنمای اصلی

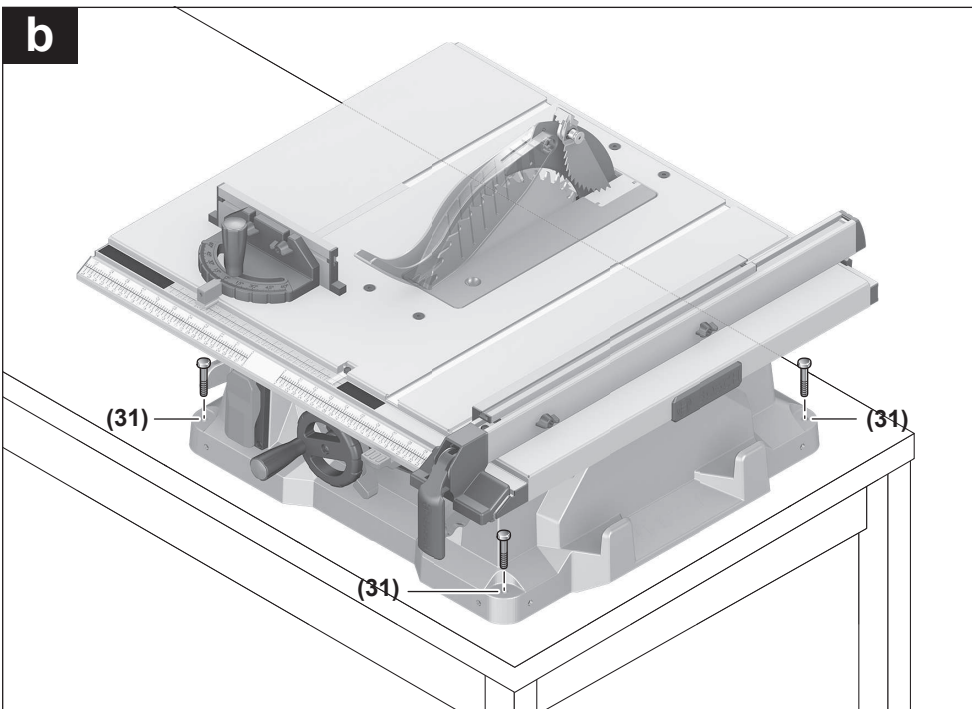
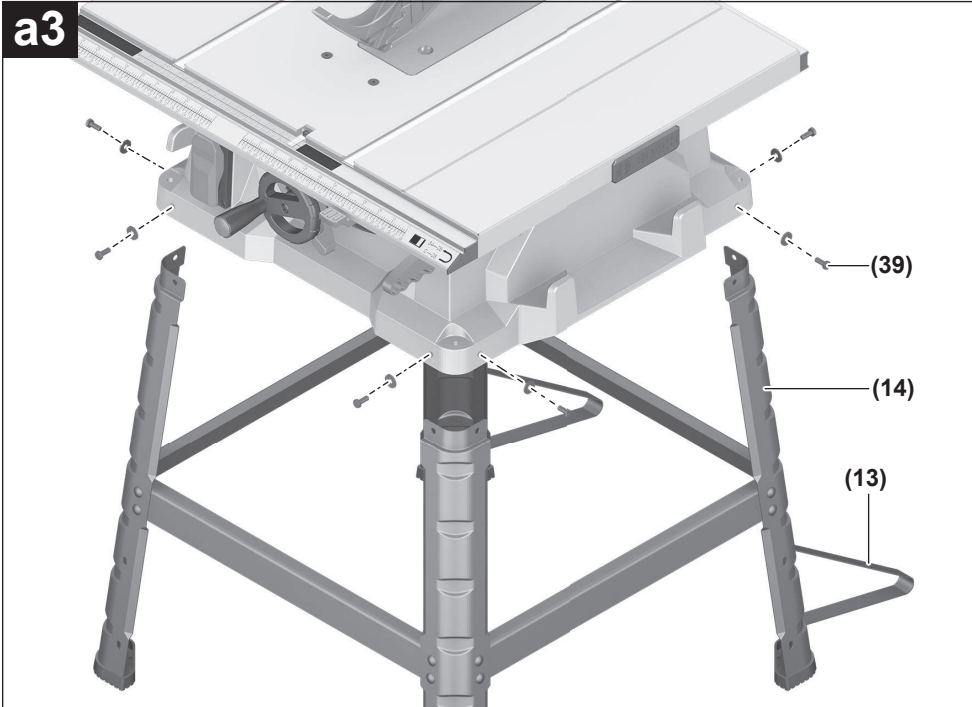


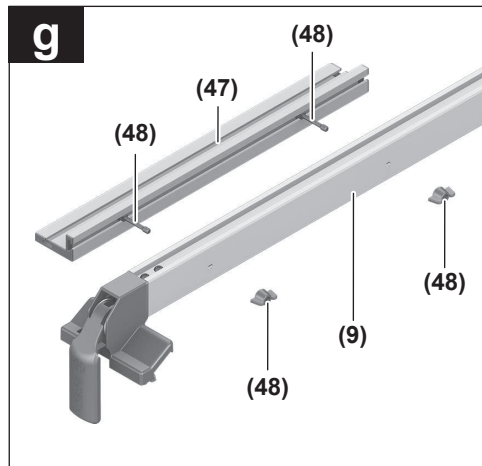
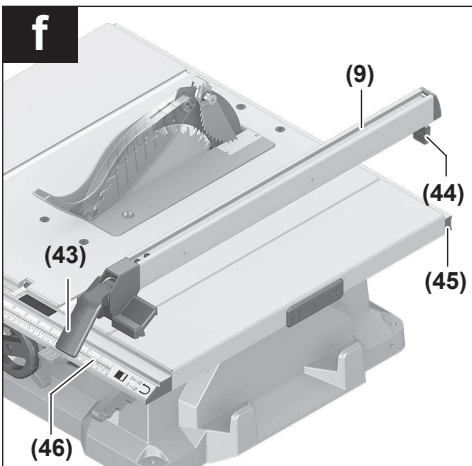
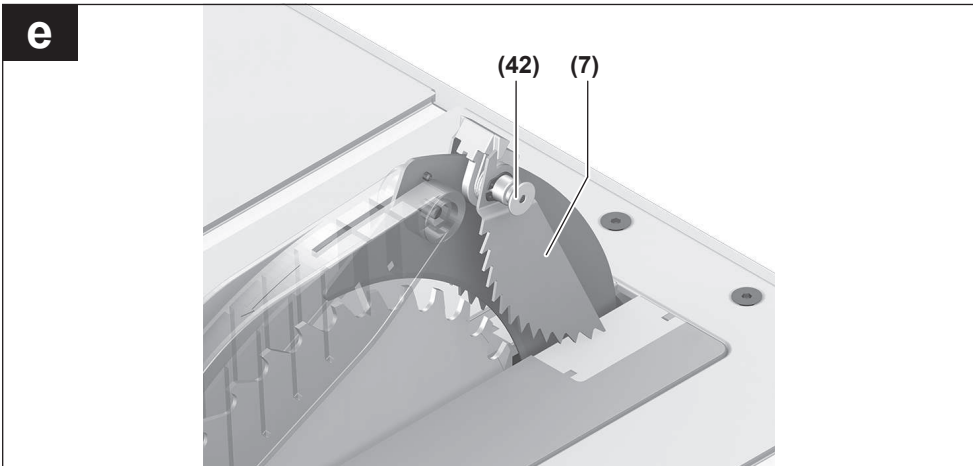
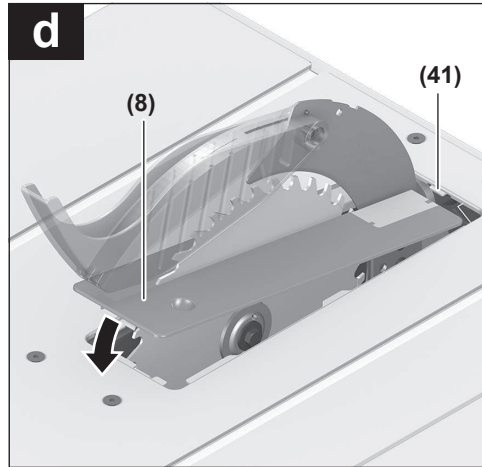
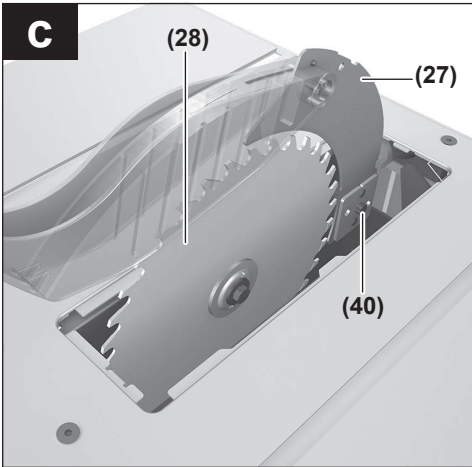
English	Page	13
Français	Page	24
Português	Página	37
中文	頁	50
繁體中文	頁	61
ไทย	หน้า	70
Bahasa Indonesia	Halaman	85
Tiếng Việt	Trang	97
عربي	الصفحة	111
فارسی	صفحه	124

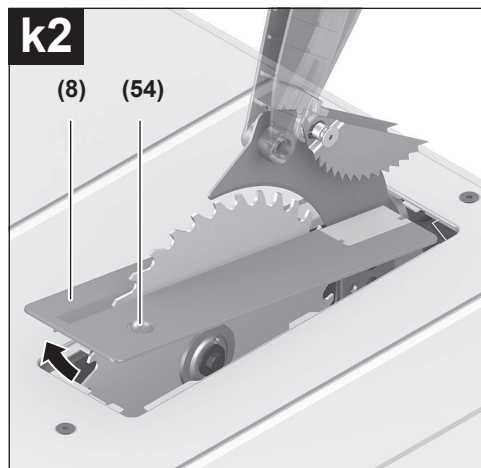
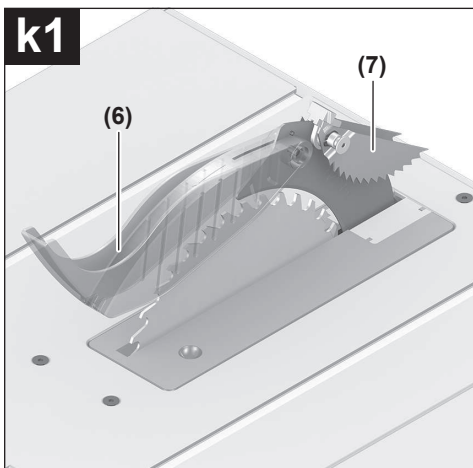
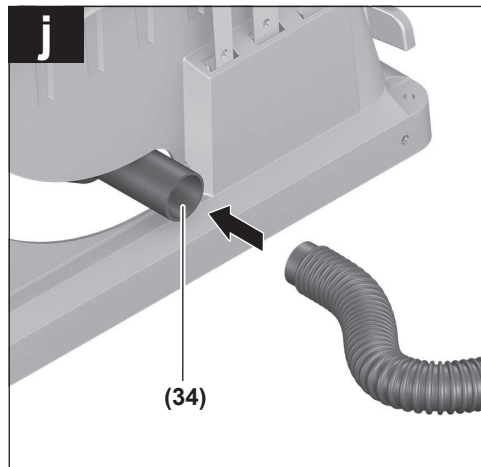
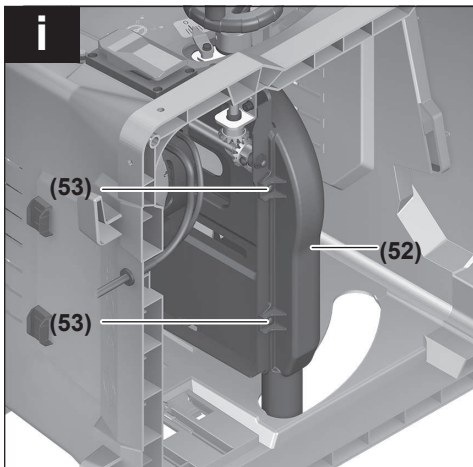
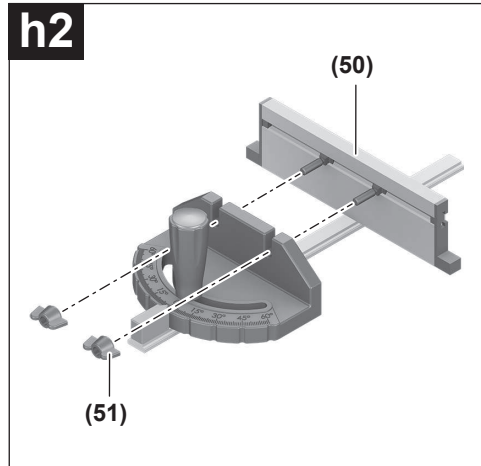
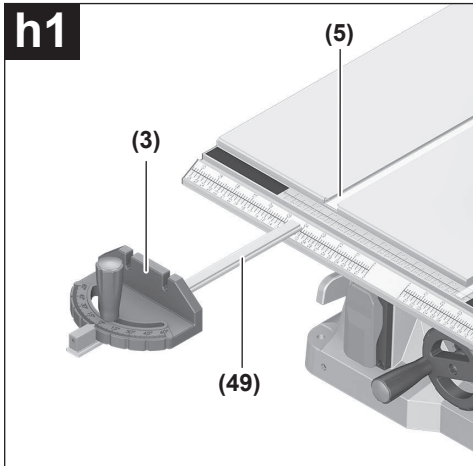


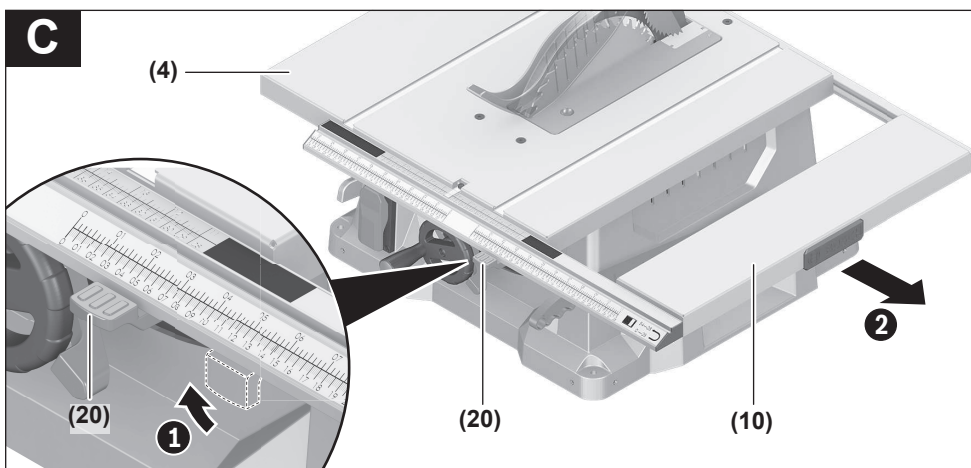
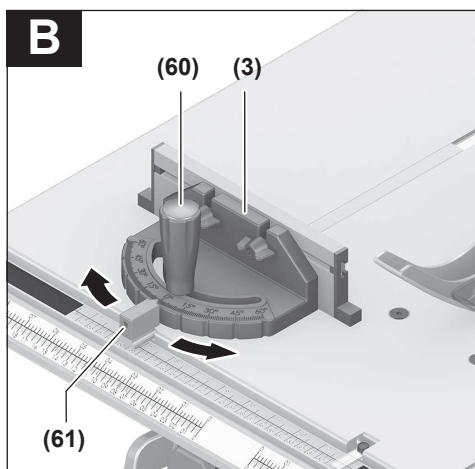
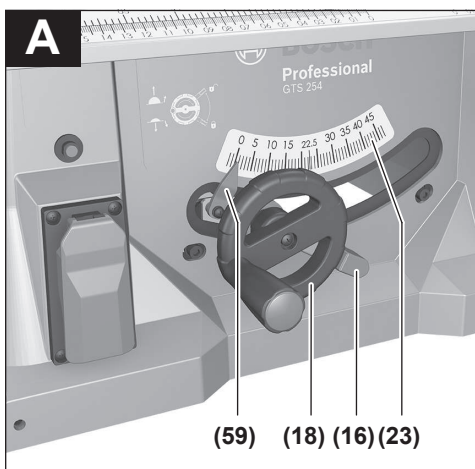
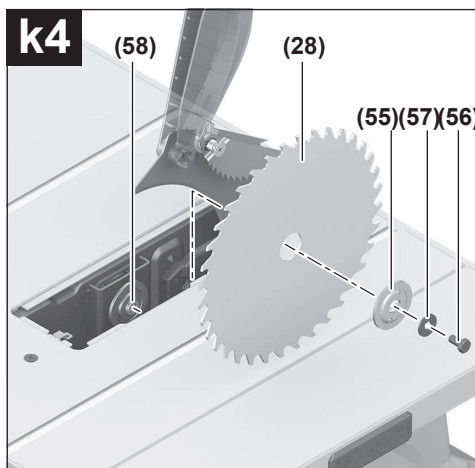
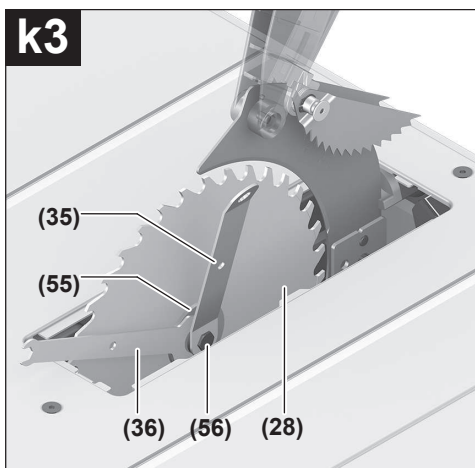


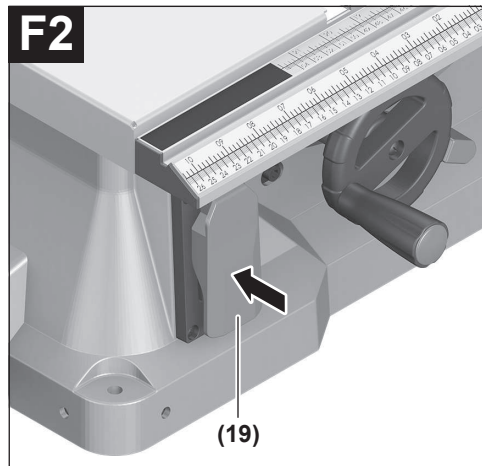
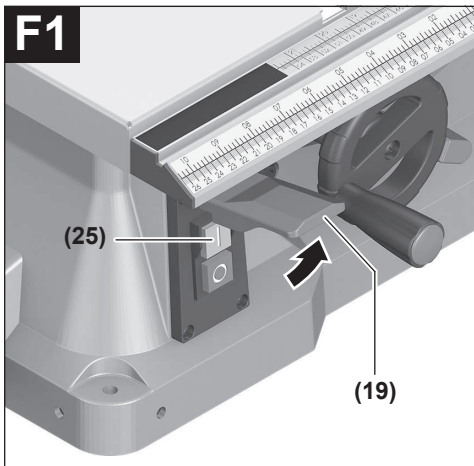
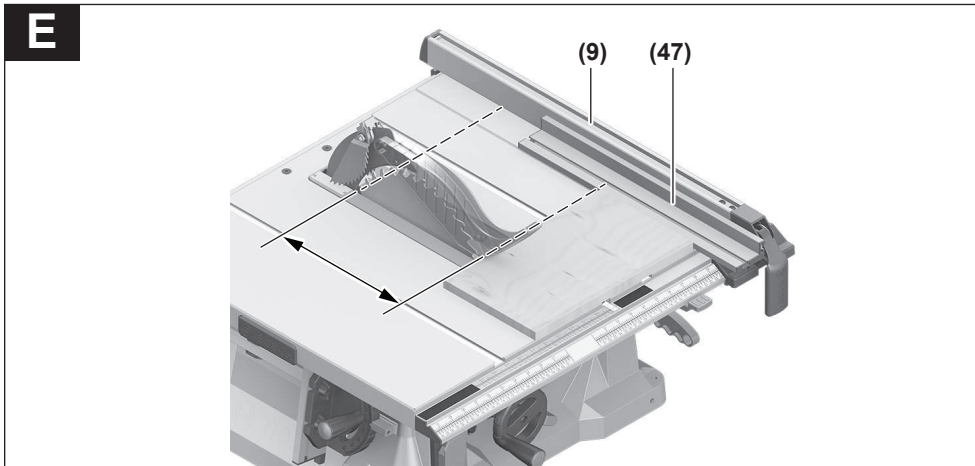
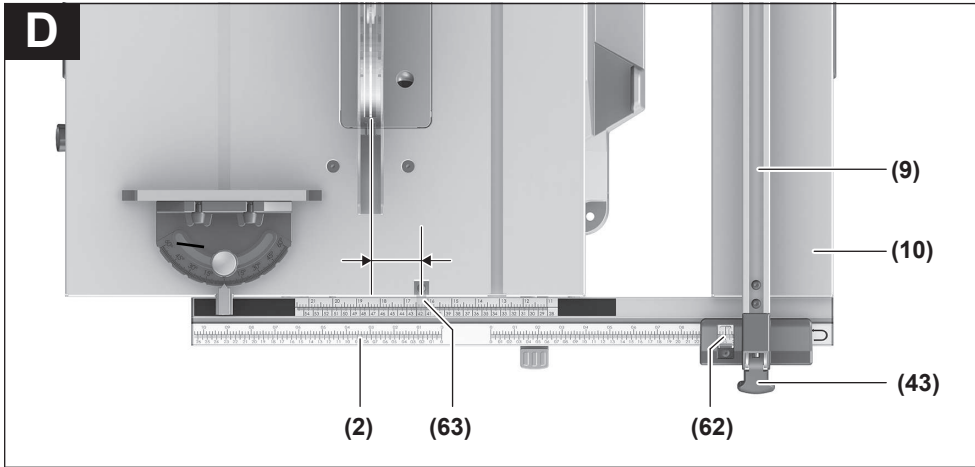


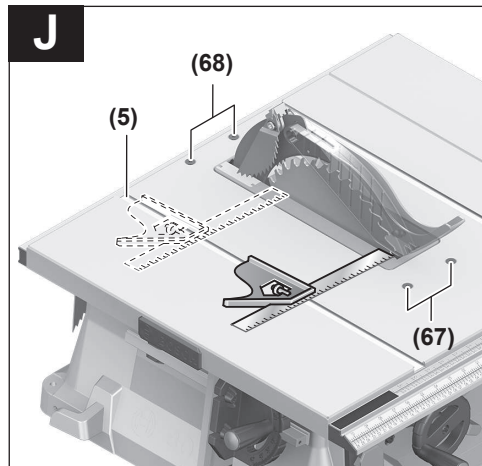
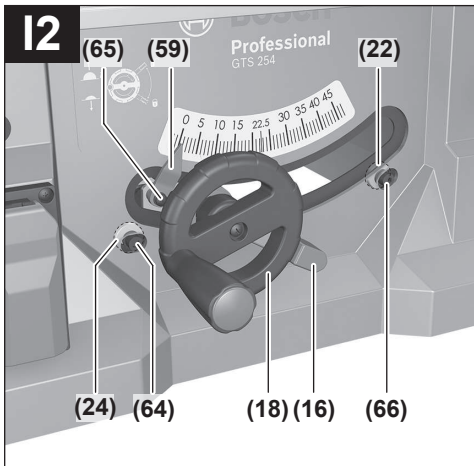
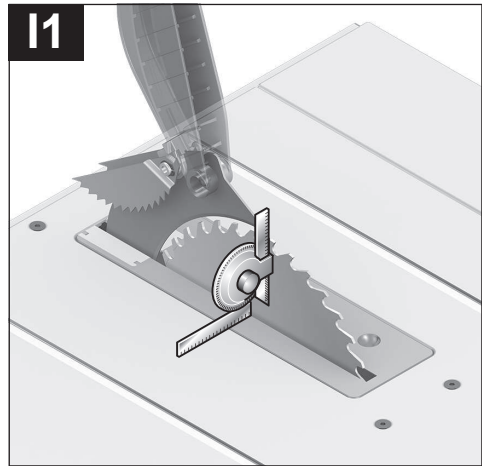
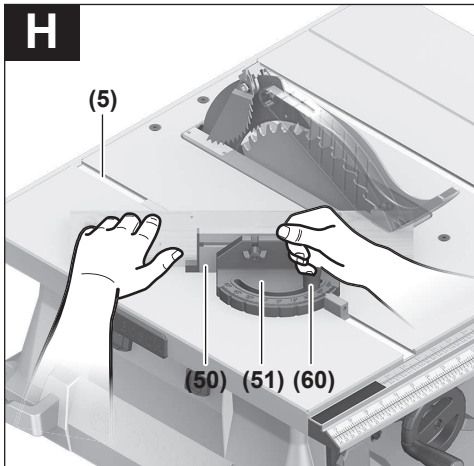
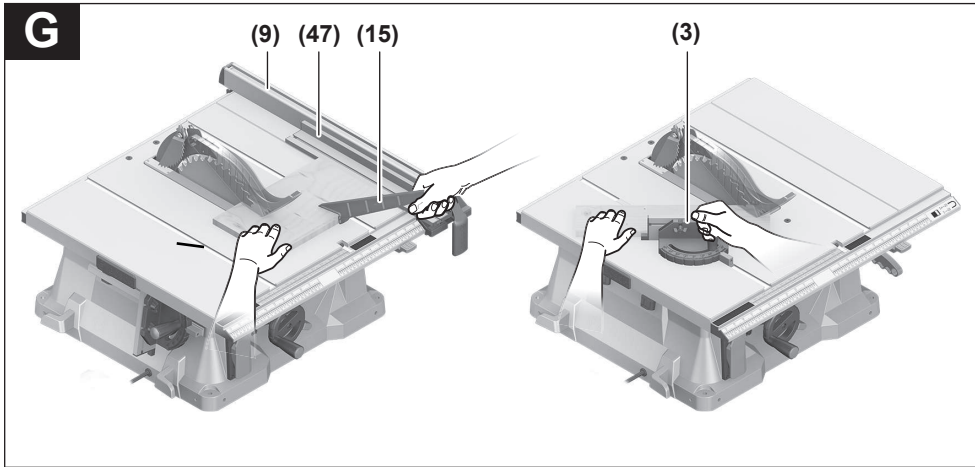


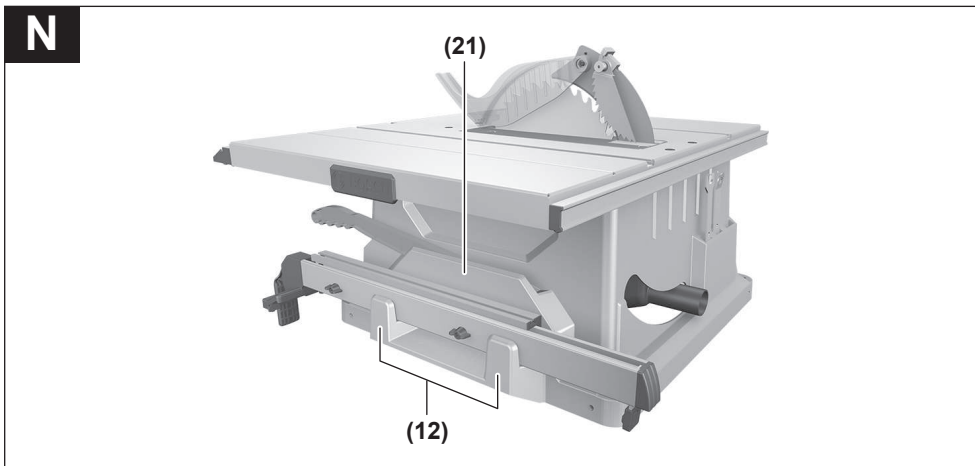
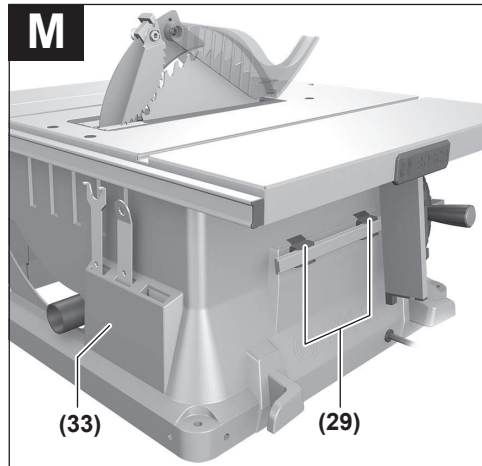
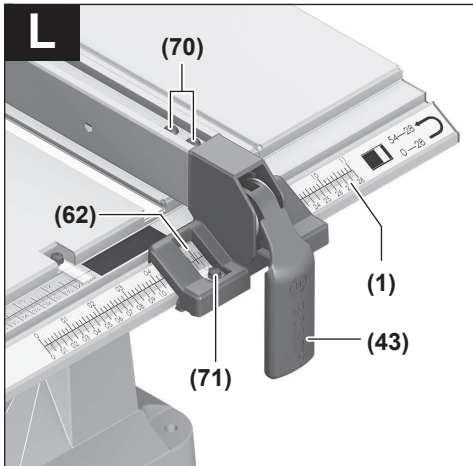
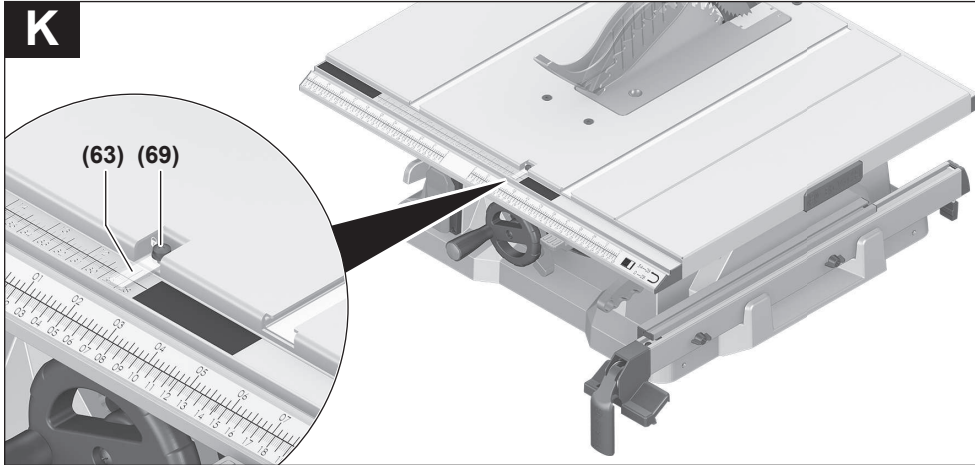












English

Safety instructions

General Power Tool Safety Warnings

⚠ WARNING Read all safety warnings, instructions, illustrations and specifications provided with this power tool. Failure to follow all instructions listed below may result in electric shock, fire and/or serious injury.

Save all warnings and instructions for future reference.

The term "power tool" in the warnings refers to your mains-operated (corded) power tool or battery-operated (cordless) power tool.

Work area safety

- ▶ **Keep work area clean and well lit.** Cluttered or dark areas invite accidents.
- ▶ **Do not operate power tools in explosive atmospheres, such as in the presence of flammable liquids, gases or dust.** Power tools create sparks which may ignite the dust or fumes.
- ▶ **Keep children and bystanders away while operating a power tool.** Distractions can cause you to lose control.

Electrical safety

- ▶ **Power tool plugs must match the outlet. Never modify the plug in any way. Do not use any adapter plugs with earthed (grounded) power tools.** Unmodified plugs and matching outlets will reduce risk of electric shock.
- ▶ **Avoid body contact with earthed or grounded surfaces, such as pipes, radiators, ranges and refrigerators.** There is an increased risk of electric shock if your body is earthed or grounded.
- ▶ **Do not expose power tools to rain or wet conditions.** Water entering a power tool will increase the risk of electric shock.
- ▶ **Do not abuse the cord. Never use the cord for carrying, pulling or unplugging the power tool. Keep cord away from heat, oil, sharp edges or moving parts.** Damaged or entangled cords increase the risk of electric shock.
- ▶ **When operating a power tool outdoors, use an extension cord suitable for outdoor use.** Use of a cord suitable for outdoor use reduces the risk of electric shock.
- ▶ **If operating a power tool in a damp location is unavoidable, use a residual current device (RCD) protected supply.** Use of an RCD reduces the risk of electric shock.

Personal safety

- ▶ **Stay alert, watch what you are doing and use common sense when operating a power tool. Do not use a power tool while you are tired or under the influence of drugs, alcohol or medication.** A moment of inatten-

tion while operating power tools may result in serious personal injury.

- ▶ **Use personal protective equipment. Always wear eye protection.** Protective equipment such as a dust mask, non-skid safety shoes, hard hat or hearing protection used for appropriate conditions will reduce personal injuries.
- ▶ **Prevent unintentional starting. Ensure the switch is in the off-position before connecting to power source and/or battery pack, picking up or carrying the tool.** Carrying power tools with your finger on the switch or energising power tools that have the switch on invites accidents.
- ▶ **Remove any adjusting key or wrench before turning the power tool on.** A wrench or a key left attached to a rotating part of the power tool may result in personal injury.
- ▶ **Do not overreach. Keep proper footing and balance at all times.** This enables better control of the power tool in unexpected situations.
- ▶ **Dress properly. Do not wear loose clothing or jewellery. Keep your hair and clothing away from moving parts.** Loose clothes, jewellery or long hair can be caught in moving parts.
- ▶ **If devices are provided for the connection of dust extraction and collection facilities, ensure these are connected and properly used.** Use of dust collection can reduce dust-related hazards.
- ▶ **Do not let familiarity gained from frequent use of tools allow you to become complacent and ignore tool safety principles.** A careless action can cause severe injury within a fraction of a second.

Power tool use and care

- ▶ **Do not force the power tool. Use the correct power tool for your application.** The correct power tool will do the job better and safer at the rate for which it was designed.
- ▶ **Do not use the power tool if the switch does not turn it on and off.** Any power tool that cannot be controlled with the switch is dangerous and must be repaired.
- ▶ **Disconnect the plug from the power source and/or remove the battery pack, if detachable, from the power tool before making any adjustments, changing accessories, or storing power tools.** Such preventive safety measures reduce the risk of starting the power tool accidentally.
- ▶ **Store idle power tools out of the reach of children and do not allow persons unfamiliar with the power tool or these instructions to operate the power tool.** Power tools are dangerous in the hands of untrained users.
- ▶ **Maintain power tools and accessories. Check for misalignment or binding of moving parts, breakage of parts and any other condition that may affect the power tool's operation. If damaged, have the power tool repaired before use.** Many accidents are caused by poorly maintained power tools.

- ▶ **Keep cutting tools sharp and clean.** Properly maintained cutting tools with sharp cutting edges are less likely to bind and are easier to control.
- ▶ **Use the power tool, accessories and tool bits etc. in accordance with these instructions, taking into account the working conditions and the work to be performed.** Use of the power tool for operations different from those intended could result in a hazardous situation.
- ▶ **Keep handles and grasping surfaces dry, clean and free from oil and grease.** Slippery handles and grasping surfaces do not allow for safe handling and control of the tool in unexpected situations.

Service


- ▶ **Have your power tool serviced by a qualified repair person using only identical replacement parts.** This will ensure that the safety of the power tool is maintained.

Safety instructions for table saws

Guarding related warnings

- ▶ **Keep guards in place. Guards must be in working order and be properly mounted.** A guard that is loose, damaged, or is not functioning correctly must be repaired or replaced.
- ▶ **Always use saw blade guard, riving knife and anti-kickback device for every through-cutting operation.** For through-cutting operations where the saw blade cuts completely through the thickness of the workpiece, the guard and other safety devices help reduce the risk of injury.
- ▶ **Immediately reattach the guarding system after completing an operation (such as rabbeting) which requires removal of the guard, riving knife and/or anti-kickback device.** The guard, riving knife and anti-kickback device help to reduce the risk of injury.
- ▶ **Make sure the saw blade is not contacting the guard, riving knife or the workpiece before the switch is turned on.** Inadvertent contact of these items with the saw blade could cause a hazardous condition.
- ▶ **Adjust the riving knife as described in this instruction manual.** Incorrect spacing, positioning and alignment can make the riving knife ineffective in reducing the likelihood of kickback.
- ▶ **For the riving knife and anti-kickback device to work, they must be engaged in the workpiece.** The riving knife and anti-kickback device are ineffective when cutting workpieces that are too short to be engaged with the riving knife and anti-kickback device. Under these conditions a kickback cannot be prevented by the riving knife and anti-kickback device.
- ▶ **Use the appropriate saw blade for the riving knife.** For the riving knife to function properly, the saw blade diameter must match the appropriate riving knife and the body of the saw blade must be thinner than the thickness of the riving knife and the cutting width of the saw blade must be wider than the thickness of the riving knife.

Cutting procedures warnings

- ▶  **DANGER: Never place your fingers or hands in the vicinity or in line with the saw blade.** A moment of inattention or a slip could direct your hand towards the saw blade and result in serious personal injury.
- ▶ **Feed the workpiece into the saw blade only against the direction of rotation.** Feeding the workpiece in the same direction that the saw blade is rotating above the table may result in the workpiece, and your hand, being pulled into the saw blade.
- ▶ **Never use the mitre gauge to feed the workpiece when ripping and do not use the rip fence as a length stop when cross cutting with the mitre gauge.** Guiding the workpiece with the rip fence and the mitre gauge at the same time increases the likelihood of saw blade binding and kickback.
- ▶ **When ripping, always apply the workpiece feeding force between the fence and the saw blade. Use a push stick when the distance between the fence and the saw blade is less than 150mm, and use a push block when this distance is less than 50 mm.** "Work helping" devices will keep your hand at a safe distance from the saw blade.
- ▶ **Use only the push stick provided by the manufacturer or constructed in accordance with the instructions.** This push stick provides sufficient distance of the hand from the saw blade.
- ▶ **Never use a damaged or cut push stick.** A damaged push stick may break causing your hand to slip into the saw blade.
- ▶ **Do not perform any operation "freehand". Always use either the rip fence or the mitre gauge to position and guide the workpiece.** "Freehand" means using your hands to support or guide the workpiece, in lieu of a rip fence or mitre gauge. Freehand sawing leads to misalignment, binding and kickback.
- ▶ **Never reach around or over a rotating saw blade.** Reaching for a workpiece may lead to accidental contact with the moving saw blade.
- ▶ **Provide auxiliary workpiece support to the rear and/or sides of the saw table for long and/or wide workpieces to keep them level.** A long and/or wide workpiece has a tendency to pivot on the table's edge, causing loss of control, saw blade binding and kickback.
- ▶ **Feed workpiece at an even pace. Do not bend or twist the workpiece. If jamming occurs, turn the tool off immediately, unplug the tool then clear the jam.** Jamming the saw blade by the workpiece can cause kickback or stall the motor.
- ▶ **Do not remove pieces of cut-off material while the saw is running.** The material may become trapped between the fence or inside the saw blade guard and the saw blade pulling your fingers into the saw blade. Turn the saw off and wait until the saw blade stops before removing material.

- ▶ **Use an auxiliary fence in contact with the table top when ripping workpieces less than 2 mm thick.** A thin workpiece may wedge under the rip fence and create a kickback.

Kickback causes and related warnings

Kickback is a sudden reaction of the workpiece due to a pinched, jammed saw blade or misaligned line of cut in the workpiece with respect to the saw blade or when a part of the workpiece binds between the saw blade and the rip fence or other fixed object.

Most frequently during kickback, the workpiece is lifted from the table by the rear portion of the saw blade and is propelled towards the operator.

Kickback is the result of saw misuse and/or incorrect operating procedures or conditions and can be avoided by taking proper precautions as given below.

- ▶ **Never stand directly in line with the saw blade. Always position your body on the same side of the saw blade as the fence.** Kickback may propel the workpiece at high velocity towards anyone standing in front and in line with the saw blade.
- ▶ **Never reach over or in back of the saw blade to pull or to support the workpiece.** Accidental contact with the saw blade may occur or kickback may drag your fingers into the saw blade.
- ▶ **Never hold and press the workpiece that is being cut off against the rotating saw blade.** Pressing the workpiece being cut off against the saw blade will create a binding condition and kickback.
- ▶ **Align the fence to be parallel with the saw blade.** A misaligned fence will pinch the workpiece against the saw blade and create kickback.
- ▶ **Use a featherboard to guide the workpiece against the table and fence when making non-through cuts such as rabbeting.** A featherboard helps to control the workpiece in the event of a kickback.
- ▶ **Support large panels to minimise the risk of saw blade pinching and kickback.** Large panels tend to sag under their own weight. Support(s) must be placed under all portions of the panel overhanging the table top.
- ▶ **Use extra caution when cutting a workpiece that is twisted, knotted, warped or does not have a straight edge to guide it with a mitre gauge or along the fence.** A warped, knotted, or twisted workpiece is unstable and causes misalignment of the kerf with the saw blade, binding and kickback.
- ▶ **Never cut more than one workpiece, stacked vertically or horizontally.** The saw blade could pick up one or more pieces and cause kickback.
- ▶ **When restarting the saw with the saw blade in the workpiece, centre the saw blade in the kerf so that the saw teeth are not engaged in the material.** If the saw blade binds, it may lift up the workpiece and cause kickback when the saw is restarted.
- ▶ **Keep saw blades clean, sharp, and with sufficient set. Never use warped saw blades or saw blades with**

cracked or broken teeth. Sharp and properly set saw blades minimise binding, stalling and kickback.

Table saw operating procedure warnings

- ▶ **Turn off the table saw and disconnect the power cord when removing the table insert, changing the saw blade or making adjustments to the riving knife, anti-kickback device or saw blade guard, and when the machine is left unattended.** Precautionary measures will avoid accidents.
- ▶ **Never leave the table saw running unattended. Turn it off and don't leave the tool until it comes to a complete stop.** An unattended running saw is an uncontrolled hazard.
- ▶ **Locate the table saw in a well-lit and level area where you can maintain good footing and balance. It should be installed in an area that provides enough room to easily handle the size of your workpiece.** Cramped, dark areas, and uneven slippery floors invite accidents.
- ▶ **Frequently clean and remove sawdust from under the saw table and/or the dust collection device.** Accumulated sawdust is combustible and may self-ignite.
- ▶ **The table saw must be secured.** A table saw that is not properly secured may move or tip over.
- ▶ **Remove tools, wood scraps, etc. from the table before the table saw is turned on.** Distraction or a potential jam can be dangerous.
- ▶ **Always use saw blades with correct size and shape (diamond versus round) of arbour holes.** Saw blades that do not match the mounting hardware of the saw will run off-centre, causing loss of control.
- ▶ **Never use damaged or incorrect saw blade mounting means such as flanges, saw blade washers, bolts or nuts.** These mounting means were specially designed for your saw, for safe operation and optimum performance.
- ▶ **Never stand on the table saw, do not use it as a stepping stool.** Serious injury could occur if the tool is tipped or if the cutting tool is accidentally contacted.
- ▶ **Make sure that the saw blade is installed to rotate in the proper direction. Do not use grinding wheels, wire brushes, or abrasive wheels on a table saw.** Improper saw blade installation or use of accessories not recommended may cause serious injury.

Additional safety warnings

- ▶ **When mounting the saw blade, wear protective gloves.** This poses a risk of injury.
- ▶ **Do not use HSS saw blades.** Such saw blades can easily break.
- ▶ **Only use saw blades that match the specifications given in this operating manual and that are tested and marked in accordance with EN 847-1**
- ▶ **Never use the tool without the table insert. Replace table insert if defective.** Without flawless table inserts, injuries are possible from the saw blade.

- **Keep your work area clean.** Material mixtures are particularly hazardous. Light metal dust may catch fire or explode.
- **Choose the saw blade suited to the material you want to work on.**
- **Only use saw blades that are recommended by the power tool manufacturer and are suitable for using on the material you want to saw.**
- **Only advance the workpiece towards the saw blade when it is running.** Otherwise there is a risk of kickback occurring if the saw blade catches in the workpiece.

Products sold in GB only:

Your product is fitted with an BS 1363/A approved electric plug with internal fuse (ASTA approved to BS 1362).

If the plug is not suitable for your socket outlets, it should be cut off and an appropriate plug fitted in its place by an authorised customer service agent. The replacement plug should have the same fuse rating as the original plug.

The severed plug must be disposed of to avoid a possible shock hazard and should never be inserted into a mains socket elsewhere.

Symbols

The following symbols may be important for the operation of your power tool. Please take note of these symbols and their meaning. Correctly interpreting the symbols will help you to operate the power tool more effectively and safely.

Symbols and their meaning



Keep hands away from the cutting area while the power tool is running. Contact with the saw blade can lead to injuries.



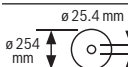
Wear safety goggles.



Wear hearing protection. Exposure to noise can cause hearing loss.



Wear a dust mask.

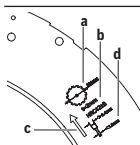


Observe the dimensions of the saw blade. The hole diameter must match the tool spindle without play. If it is necessary to use reducers, ensure that the dimensions of the reducer are suitable for the base blade thickness and the saw blade hole diameter, as well as the tool spindle diameter. Wherever possible, use

Symbols and their meaning

the reducers provided with the saw blade.

The saw blade diameter must match the information specified on the symbol.

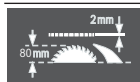


a The saw blade must be no more than 254 mm in diameter.

b The riving knife is 2 mm thick.

c The direction arrow of the teeth (direction of the arrow on the saw blade) must match the direction of the arrow on the riving knife.

d When changing the saw blade, make sure that the cutting width is no smaller than 2.4 mm and the base blade thickness is no larger than 1.8 mm. Otherwise, there is a risk that the riving knife will hook into the workpiece.



The riving knife is 2 mm thick.

The maximum possible workpiece height is 80 mm.

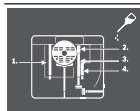


Left-hand side:

Indicates the direction of rotation of the crank for lowering (**transport position**) and raising (**work position**) the saw blade.

Right-hand side:

Indicates the position of the locking lever for securing the saw blade and setting the bevel angle (saw blade can be swivelled).



Oil the power tool as necessary at the points indicated.



Protection class II power tools are strengthened or double-insulated.



The CE mark provides confirmation from the manufacturer that the power tool complies with the applicable EU Directives.

Product Description and Specifications



Read all the safety and general instructions.

Failure to observe the safety and general instructions may result in electric shock, fire and/or serious injury.

Please observe the illustrations at the beginning of this operating manual.

Intended use

The power tool is a stationary machine for cutting in a straight line with and against the grain in hardwood, softwood, chipboard and fibreboard. Mitre angles of -30° to $+30^\circ$ as well as bevel angles of 0° to 45° are possible.

It is also possible to saw aluminium profiles and plastic using the appropriate saw blades.

Product features

The numbering of the product features refers to the diagram of the power tool on the graphics page.

- | | |
|--|--|
| <ul style="list-style-type: none"> (1) Scale for spacing between saw blade and parallel guide (2) Scale for spacing between saw blade and parallel guide when the saw table is pulled out (3) Angle guide (4) Saw table (5) Guide groove for angle guide (6) Protective cover (7) Anti-kickback pawls (8) Table insert (9) Parallel guide (10) Saw table expansion (11) Recessed handles (12) Parallel guide storage compartment (13) Tilt protector (14) Base unit (15) Push stick (16) Locking lever for setting the bevel angle (17) Crank for raising and lowering the saw blade (18) Hand wheel (19) Safety flap for the on/off switch (20) Saw table expansion clamping handle (21) Push stick storage compartment (22) Stop for 45° bevel angle (23) Scale for bevel angle (24) Stop for 0° bevel angle (25) On button (26) Restart button (27) Riving knife (28) Saw blade (29) Angle guide storage compartment (30) Cable holder (31) Mounting holes on base unit (32) Mounting holes | <ul style="list-style-type: none"> (33) Tool/anti-kickback pawls storage compartment (34) Dust extraction adapter (35) Ring spanner (10 mm; 13 mm) (36) Hook spanner/open-ended spanner (10 mm) (37) "Base unit" fastening set (38) "Tilt protector" fastening set (39) "Power tool" fastening set (40) Riving knife bolt (41) Recesses for table insert (42) Anti-kickback pawls push button (43) Clamping handle for parallel guide (44) V guide for parallel guide (45) V guide groove on the saw table for the parallel guide (46) Guide groove for parallel guide (47) Additional parallel guide (48) "Additional parallel guide" fastening set (49) Guide rail for angle guide (50) Profile rail (51) Profile rail wing nut (52) Lower saw blade cover (53) Fastening screws for lower saw blade cover (54) Table insert gripping hole (55) Clamping flange (56) Saw blade hexagon screw (57) Washer (58) Mounting flange (59) Angle indicator (vertical) (60) Locking knob for all mitre angles (61) Angle indicator on the angle guide (62) Magnifying glass (63) Saw table spacing indicator (64) Cross-head screw for setting the 0° stop (65) Screw for bevel angle indicator (66) Cross-head screw for setting the 45° stop (67) Hex socket screws (5 mm) on the front for adjusting the parallelism of the saw blade (68) Hex socket screws (5 mm) on the rear for adjusting the parallelism of the saw blade (69) Screw for saw table spacing indicator (70) Hex socket screws (5 mm) for adjusting the parallelism of the parallel guide (71) Screw for parallel guide spacing indicator |
|--|--|

Technical data

Table saw		GTS 254	GTS 254
Article number		3 601 M45 080 3 601 M45 0L0 3 601 M45 0K0 3 601 M45 0F0	3 601 M45 0C0
Rated power input	W	1800	1800
No-load speed	min ⁻¹	4300	3800
Starting current limitation		●	●
Weight according to EPTA-Procedure 01:2014	kg	24.4	24.4
Protection class		□/II	□/II
Dimensions (including detachable parts of the tool)			
Width x depth x height	mm	690 x 620 x 1000	690 x 620 x 1000
Dimensions of suitable saw blades			
Saw blade diameter	mm	254	254
Base blade thickness	mm	< 1.8	< 1.8
Min. tooth thickness/offset	mm	> 2.4	> 2.4
Hole diameter	mm	25.4	25.4

Maximum workpiece dimensions: (see "Maximum workpiece dimensions", page 22)

The specifications apply to a rated voltage [U] of 230 V. These specifications may vary at different voltages and in country-specific models.

Assembly

- ▶ **Avoid starting the power tool unintentionally. The mains plug must not be connected to the power supply during assembly or when carrying out any kind of work on the power tool.**

Items included

Check to ensure that all the parts listed below have been supplied before using the power tool for the first time:

- Table saw with mounted saw blade **(28)**
- "Power tool" fastening set **(39)** (8 fastening screws, 8 washers)
- Base unit **(14)**
- "Base unit" fastening set **(37)** (16 fastening screws, 16 washers, 16 securing rings, 16 nuts)
- Tilt protector **(13)**
- "Tilt protector" fastening set **(38)** (4 fastening screws, 8 washers, 4 securing rings, 4 nuts)
- Angle guide **(3)**
- Profile rail **(50)**
- "Profile rail" wing nut **(51)**
- Parallel guide **(9)**
- Additional parallel guide **(47)**
- "Additional parallel guide" fastening set **(48)** (2 fastening screws, 2 wing nuts)
- Riving knife **(27)** with protective cover **(6)** fitted
- Anti-kickback pawls **(7)**
- Ring spanner **(35)**
- Hook spanner/open-ended spanner **(36)**

- Push stick **(15)**
- Table insert **(8)**

Note: Check the power tool for possible damage. Before continuing to use the power tool, carefully check that all protective devices or slightly damaged parts are working perfectly and according to specifications. Check that the moving parts are working perfectly and without jamming; check whether any parts are damaged. All parts must be fitted correctly and all the conditions necessary to ensure smooth operation must be met.

If the protective devices or any parts become damaged, you must have them properly repaired or replaced by an authorised service centre.

Stationary or flexible mounting

- ▶ **To ensure safe handling, the power tool must be mounted on a flat, stable work surface (e.g. work bench) before use.**

Assembly with base unit and tilt protector (see figures a1-a3)

For assembly, use the "base unit" **(37)**, "tilt protector" **(38)** and "power tool" **(39)** fastening sets

- Screw the base unit **(14)** together. Tighten the screws firmly.
- Screw the tilt protector **(13)** to the base unit.
- Place the power tool on the base unit so that the tilt protector points to the rear.
- Attach the power tool to the base unit. For this, use the lateral holes **(31)** of the power tool as well as the holes in the base unit.

Assembly without base unit (see figure b)

- Use a suitable screwed connection to secure the power tool to the work surface. The holes (32) are used for this purpose.

Fitting individual components

- Carefully remove all parts included in the delivery from their packaging.
- Remove all packing material from the power tool and the accessories provided.
- Make sure that you remove the packaging material beneath the motor block.

The following parts of the tool are attached directly to the housing: Anti-kickback pawls (7), ring spanner (35), hook spanner/open-ended spanner (36), angle guide (3), parallel guide (9), additional parallel guide (47) with fastening set (48), protective cover (6), push stick (15), saw blade (28).

- If you require one of these parts, remove it carefully from its storage location.

Fitting the Riving Knife (see figures c)

Note: If necessary, clean all parts to be fitted before you position them.

- Remove the table insert (8) if necessary.
- Turn the crank (17) clockwise as far as possible so that the saw blade (28) is in the highest possible position above the saw table.
- Loosen the bolt (40) using the ring spanner (35).
- Insert the riving knife (27) and push it down as far as possible.
- Re-tighten the bolt (40) using the ring spanner (35).
- Fit the table insert (8).

Fitting the table insert (see figure d)

- Hook the table insert (8) into the rear recesses (41) of the tool chamber.
- Guide the table insert down.
- Press down on the table insert until it engages in the front of the tool chamber.

Fitting the anti-kickback pawls (see figure e)

In the event of a kickback, the anti-kickback pawls (7) prevent the workpiece from being flung towards the operator. The pawls' sharp teeth dig into the surface of the workpiece and hold it back.

- Press the anti-kickback pawls' (7) pushbutton (42) together.
This pulls back the guide pin.
- Guide the anti-kickback pawls (7) over the riving knife (27) and release the pushbutton (42).
- Slide the anti-kickback pawls towards the protective cover until the guide pin engages in the rear hole at the top of the riving knife.
- Check that the guide pin is firmly connected to the hole and that the anti-kickback pawls are functioning properly. Carefully lift the anti-kickback pawls. When released, the

spring-loaded pawls must go down and touch the table insert.

Fitting the parallel guide (see figure f)

The parallel guide (9) can be positioned on either the left or the right of the saw blade.

- Loosen the clamping handle (43) of the parallel guide (9). This lightens the load on the V guide (44).
- First insert the parallel guide with the V guide into the guide groove (45) of the saw table. Then position the parallel guide in the front guide groove (46) of the saw table. The parallel guide can now be moved freely.
- To secure the parallel guide, push the clamping handle (43) down.

Fitting the additional parallel guide (see figure g)

To saw narrow workpieces and bevel angles, you must fit the additional parallel guide (47) on the parallel guide (9). The additional parallel guide can be fitted on the left or right of the parallel guide (9) as required.

Use the "additional parallel guide" fastening set (48) (two fastening screws, two wing nuts) for fitting the guide.

- Slide the fastening screws through the lateral holes on the parallel guide (9).
- The heads of the screws are used to guide the additional parallel guide.
- Slide the additional parallel guide (47) over the heads of the fastening screws.
- Tighten the screws using the wing nuts.

Fitting the angle guide (see figure h1-h2)

- Push the rail (49) of the angle guide (3) into one of the guide grooves (5) provided in the saw table.

To make it easier to position long workpieces, the angle guide can be extended with the profile rail (50).

- If necessary, fit the profile rail on the angle guide using the wing nuts (51).

Dust/chip extraction

The dust from materials such as lead paint, some types of wood, minerals and metal can be harmful to human health. Touching or breathing in this dust can trigger allergic reactions and/or cause respiratory illnesses in the user or in people in the near vicinity.

Certain dusts, such as oak or beech dust, are classified as carcinogenic, especially in conjunction with wood treatment additives (chromate, wood preservative). Materials containing asbestos may only be machined by specialists.

- Use a dust extraction system that is suitable for the material wherever possible.
- Provide good ventilation at the workplace.
- It is advisable to wear a P2 filter class breathing mask.

The regulations on the material being machined that apply in the country of use must be observed.

The dust/chip extraction system can be blocked by dust, chips or fragments of the workpiece.

- Switch the power tool off and pull the mains plug out of the socket.
- Wait until the saw blade has come to a complete stop.
- Determine the cause of the blockage and eliminate it.

- ▶ **Avoid dust accumulation at the workplace.** Dust can easily ignite.
- ▶ **To prevent the risk of fire when sawing aluminium, empty the chip ejector and do not use chip extraction.**

Emptying the chip ejector (see figure i)

You can open the lower saw blade cover (52) to remove workpiece fragments and large chips.

- Switch the power tool off and pull the mains plug out of the plug socket.
- Wait until the saw blade has come to a complete stop.
- Tilt the power tool sideways.
- Loosen the fastening screws (53) and open the lower saw blade cover (52).
- Remove workpiece fragments and chips.
- Close the lower saw blade cover and screw it back on.
- Bring the power tool into the work position.

External dust extraction (see figure j)

- Firmly insert a suitable dust extraction hose into the dust extraction adapter (34).

The dust extractor must be suitable for the material being worked.

When extracting dry dust that is especially detrimental to health or carcinogenic, use a special dust extractor.

Changing the saw blade (see figures k1–k4)

- ▶ **Pull the plug out of the socket before carrying out any work on the power tool.**
- ▶ **When mounting the saw blade, wear protective gloves.** This poses a risk of injury.
- ▶ **Only use saw blades the maximum permitted speed of which is higher than the no-load speed of the power tool.**
- ▶ **Only use saw blades that match the specifications given in this operating manual and that are tested and marked in accordance with EN 847-1**
- ▶ **Only use saw blades that are recommended by the power tool manufacturer and are suitable for use on the material you want to saw.** This prevents the saw tooth tips from overheating and the plastic you want to saw from melting.
- ▶ **Do not use HSS saw blades.** Such saw blades can easily break.

Removing the saw blade

- Turn the crank (17) clockwise as far as possible so that the saw blade (28) is in the highest possible position above the saw table.
- Fold the protective cover (6) backwards.
- Lift the table insert (8) by the gripping hole (54) and remove it from the tool chamber.

- Unscrew the hexagon screw (56) anticlockwise with the ring spanner (35) while holding the clamping flange (55) in place with the hook spanner (36).
- Remove the washer (57) and the clamping flange (55).
- Remove the saw blade (28).

Fitting the saw blade

If required, clean all the parts you want to fit before installing them.

- Place the new saw blade on the mounting flange (58) of the tool spindle.

Note: Use sufficiently large saw blades. The radial clearance between the saw blade and the riving knife must not exceed 3–8 mm (max.).

- ▶ **When fitting the saw blade, make sure that the cutting direction of the teeth (arrow direction on the saw blade) matches the direction of the arrow on the protective cover.**
- Fit the clamping flange (55), the washer (57) and the hexagon screw (56).
- Tighten the hexagon screw (56) clockwise with the ring spanner (35) while holding the clamping flange in place with the hook spanner (36).
- Reinsert the table insert (8).
- Fold the protective cover (6) forwards.

Operation

- ▶ **Pull the plug out of the socket before carrying out any work on the power tool.**

Transport position and work position of the saw blade

Transport position

- Remove the protective cover (6), remove the table insert (8) and place the riving knife (27) in the bottom position. Reinsert the table insert (8).
- Turn the crank (17) anticlockwise until the teeth of the saw blade (28) lie below the saw table (4).
- Push the saw table expansion (10) in fully. Push the clamping handle (20) down. This fixes the saw table expansion in place.

Work position

- Position the riving knife (27) in the top position directly over the centre of the saw blade, insert the table insert (8) and fit the protective cover (6).
- Turn the crank (17) clockwise until the top teeth of the saw blade (28) are approx. 3–6 mm above the workpiece.

Setting mitre and bevel angles

To ensure precise cuts, the basic settings of the power tool must be checked and adjusted as necessary after intensive use.

Setting Bevel Angles (saw blade) (see figure A)

The bevel angle can be set between 0° and 45°.

- Loosen the locking lever (16) by turning it anticlockwise.

Note: When the locking lever is fully loosened, gravity causes the saw blade to tilt into a position that corresponds to approximately 30°.

- Pull or push the hand wheel (18) along the slotted link until the angle indicator (59) shows the required bevel angle.
- Hold the hand wheel in this position and retighten the locking lever (16).

For quick and precise setting of the standard bevel angles of 0° and 45°, there are pre-set stops ((24)), ((22)).

Setting mitre angles (angle guide) (see figure B)

The mitre angle can be set between 30° (left-hand side) and 30° (right-hand side).

- Loosen the locking knob (60) if it is tightened.
- Turn the angle guide until the angle indicator (61) shows the required mitre angle.
- Retighten the locking knob (60).

Extending the saw table

The free end of long and heavy workpieces must have something placed underneath it or be supported.

Saw table expansion (see figure C)

The saw table expansion (10) increases the width of the saw table (4) on the right to a maximum of 950 mm.

- Pull the clamping handle (20) for the saw table expansion all the way up.
- Pull out the saw table expansion (10) to the required length.
- Push the clamping handle (20) down. This fixes the saw table expansion in place.

Adjusting the parallel guide

The parallel guide (9) can be positioned on the left or the right of the saw blade. The marking in the magnifying glass (62) indicates the set distance of the parallel guide to the saw blade on the scale (1).

Position the parallel guide on the required side of the saw blade (see "Fitting the parallel guide (see figure f)", page 19).

Adjusting the parallel guide when the saw table is not pulled out

- Loosen the clamping handle (43) of the parallel guide (9). Move the parallel guide until the marking in the magnifying glass (62) indicates the required distance from the saw blade.
When the saw table is not pulled out, the marking on the scale (1) applies.
- To secure it in place, push the clamping handle (43) back down.

Adjusting the parallel guide when the saw table is pulled out (see figure D)

- Position the parallel guide on the right of the saw blade. Move the parallel guide until the marking in the magnifying glass (62) shows (1) 28 cm on the lower scale. To secure it in place, push the clamping handle (43) back down.
- Pull the clamping handle (20) for the saw table expansion all the way up.
- Pull out the saw table expansion (10) until the spacing indicator (63) shows the required distance from the saw blade on the scale (2).
- Push the clamping handle (20) down. This fixes the saw table expansion in place.

Adjusting the additional parallel guide (see figure E)

To saw narrow workpieces and bevel angles, you must fit the additional parallel guide (47) on the parallel guide (9).

The additional parallel guide can be fitted on the left or right of the parallel guide (9) as required.

When sawing, workpieces can become jammed between the parallel guide and the saw blade, caught in the saw blade as it rises and ejected.

You should therefore set the additional parallel guide so that the end of the guide is between the front tooth of the saw blade and the front edge of the riving knife.

- To do so, loosen all of the fastening set's wing nuts (48) and move the additional parallel guide accordingly.
- Retighten the wing nuts.

Start-up

- ▶ **Pay attention to the mains voltage.** The voltage of the power source must match the voltage specified on the rating plate of the power tool.
- ▶ **Products that are only sold in AUS and NZ:** Use a residual current device (RCD) with a nominal residual current of 30 mA or less.

Switching on (see figure F1)

- Fold up the safety flap (19).
- To start, press the green "on" button (25).
- Drop the safety flap (19) back down.

Switching off (see figure F2)

- Press the safety flap (19).

Overload protection

The power tool is equipped with an overload protection system. In normal conditions of use, the power tool cannot be overloaded. In the event of overloading, the power tool automatically shuts off the electronics.

Follow these steps to restart the power tool:

- Allow the power tool to cool down for at least ten minutes.
- Press the restart button (26) and then switch the power tool back on.

Power outage

The on/off switch acts as a zero-voltage switch that prevents the power tool from starting up again following a power outage (e.g. if the mains plug is removed during operation). To restart the power tool following a power outage, press the green "on" button (25) again.

Practical advice

General sawing instructions

- ▶ **Before making any cuts, first make sure that the saw blade cannot come into contact with the stops or any other parts of the tool at any time.**
- ▶ **Only use the power tool for grooving or routing if a suitable protective guard (e.g. tunnel blade guard, featherboard) is in place.**
- ▶ **Do not use the power tool for cutting slots (stopped grooves).**

Protect the saw blade against impact and shock. Do not subject the saw blade to lateral pressure.

The riving knife must be aligned with the saw blade in order to prevent the workpiece from jamming.

Do not saw workpieces that have become bent or twisted out of shape. The workpiece must always have a straight edge to face against the parallel guide.

Always store the push stick on the power tool.

Position of the operator (see figure G)

- ▶ **Never stand directly in line with the saw blade. Always position your body on the same side of the saw blade as the fence.** Kickback may propel the workpiece at high velocity towards anyone standing in front and in line with the saw blade.

- Keep hands, fingers and arms away from the rotating saw blade.

Pay attention to the following instructions:

- Hold the workpiece firmly with both hands and press it securely against the saw table.
- When using narrow workpieces or sawing bevel angles, always use the push stick (15) and the additional parallel guide (47) provided.

Maximum workpiece dimensions

Bevel angle	max. height of the workpiece [mm]
0°	80
45°	55

Sawing

Making straight cuts

- Adjust the parallel guide (9) to the desired cutting width.
- Place the workpiece on the saw table in front of the protective cover (6).
- Use the crank (17) to raise or lower the saw blade as far up or down as needed to position the top teeth of the saw blade (28) approx. 3–6 mm above the workpiece.

- Switch on the power tool.
- Saw through the workpiece applying uniform feed. If you apply too much pressure, the tip of the saw blade could overheat and damage the workpiece.
- Switch off the power tool and wait until the saw blade has come to a complete stop.

Sawing a bevel angle

- Set the required saw blade bevel angle. If the saw blade is tilted to the left, the parallel guide (9) must be to the right of the blade.
- Follow the work steps set out in the (see "Making straight cuts", page 22) section

Sawing mitre angles (see figure H)

- Set the required mitre angle on the angle guide (3).
- Place the workpiece on the profile rail (50). The profile must not be positioned along the cut line. If it is, loosen the wing nut (51) and reposition the profile rail.
- Use the crank (17) to raise or lower the saw blade as far up or down as needed to position the top teeth of the saw blade (28) approx. 3–6 mm above the workpiece.
- Switch on the power tool.
- Hold the workpiece against the profile rail (50) with one hand; place your other hand on the locking knob (60) and slide the angle guide slowly forwards in the guide groove (3).
- Switch off the power tool and wait until the saw blade has come to a complete stop.

Checking and adjusting the basic settings

To ensure precise cuts, the basic settings of the power tool must be checked and adjusted as necessary after intensive use.

Experience and suitable special tools are required for this.

A Bosch after-sales service point will handle this work quickly and reliably.

Adjusting the stops for a standard bevel angle 0°/45°

- Bring the power tool into the work position.
- Set the saw blade to a bevel angle of 0°.

Checking (see figure I1)

- Set an angle gauge to 90° and place it on the saw table (4).

The leg of the angle gauge must be flush with the saw blade (28) along its entire length.

Setting (see figure I2)

- Loosen the screw (64). This enables the 0° stop (24) to be moved.
- Loosen the locking lever (16).
- Slide the hand wheel (18) towards the 0° stop until the leg of the angle gauge is flush with the saw blade along its entire length.
- Hold the hand wheel in this position and retighten the locking lever (16).
- Retighten the screw (64).

If the angle indicator (59) is not aligned with the 0° mark on the scale (23) following adjustment, loosen the screw (65) using a conventional cross-headed screwdriver and align the angle indicator along the 0° mark.

Repeat the work step above for the bevel angle of 45° (loosen the screw (66); move the 45° stop (22)). The angle indicator (59) must not be repositioned when doing this.

Parallelism of the Saw Blade with the Guide Grooves of the Angle Guide (see figure J)

- Bring the power tool into the work position.

Checking

- Use a pencil to mark the first left-hand saw tooth that is visible at the back above the table insert.
- Set an angle gauge to 90° and place it on the edge of the guide groove (5).
- Move the leg of the angle gauge until it touches the marked saw tooth and read the distance between the saw blade and the guide groove.
- Turn the saw blade until the marked tooth at the front lies above the table insert.
- Move the angle gauge along the guide groove up to the marked saw tooth.
- Measure the distance between the saw blade and the guide groove again.

The two measured distances must be identical.

Setting

- Loosen the hex socket screws (67) at the front on the saw table and the hex socket screws (68) at the rear on the saw table using a hex key.
- Carefully move the saw blade until it lies parallel with the guide groove (5).
- Retighten all screws (67) and (68).

Adjusting the saw table spacing indicator (see figure K)

Position the parallel guide on the right of the saw blade. Move the parallel guide until the marking in the magnifying glass (62) shows 28 cm on the lower scale. To secure it in place, push the clamping handle (43) back down.

- Pull the clamping handle (20) all the way up and pull the saw table expansion (10) out as far as possible.

Checking

The scale (2) of the spacing indicator (63) must show the same value as the marking in the magnifying glass (62) on the scale (1).

Setting

- Pull the saw table expansion (10) out fully.
- Loosen the screw (69) with a cross-headed screwdriver and align the spacing indicator (63) along the 28 cm mark on the upper scale (1).

Adjusting the Parallelism of the Parallel Guide (see figure L)

- Bring the power tool into the work position.
- Remove anti-kickback pawls (7) and fold the protective cover (6) backwards.

- Loosen the clamping handle (43) of the parallel guide and move it until it touches the saw blade.

Checking

The parallel guide (9) must touch the saw blade along its entire length.

Setting

- Loosen the hex socket screw (70) using a hex key.
- Carefully move the parallel guide (9) until it touches the saw blade along its entire length.
- Hold the parallel guide in this position and push the clamping handle (43) down again.
- Retighten the hex socket screws (70).

Adjusting the magnifying glass of the parallel guide (see figure M)

- Bring the power tool into the work position.
- Remove anti-kickback pawls (7) and fold the protective cover (6) backwards.
- Move the parallel guide (9) from the right until it touches the saw blade.

Checking

The marking in the magnifying glass (62) must be in line with the 0 mm mark on the scale (1).

Setting

- Loosen the screw (71) using a cross-headed screwdriver and align the marking along the 0 mm mark.

Storage and transport

Storing tool elements (see figures M–N)

You can attach certain tool elements to the power tool to store them.

- Detach the additional parallel guide (47) from the parallel guide (9).
- Place all loose components of the tool in their storage compartments on the housing (see the following table).

Figure	Tool element	Storage compartment
M	Ring spanner (35)	Place in storage compartment (33)
M	Hook spanner/open-ended spanner (36)	Place in storage compartment (33)
M	Anti-kickback pawls (7)	Place in storage compartment (33)
M	Angle guide (3) with profile rail (50)	Slide into the storage compartment holders (29)
N	Parallel guide (9) with fitted additional parallel guide (47)	Place in storage compartment (12)
N	Push stick (15)	Place in storage compartment (21)

Maintenance and Service

Maintenance and Cleaning

- ▶ **Pull the plug out of the socket before carrying out any work on the power tool.**
- ▶ **To ensure safe and efficient operation, always keep the power tool and the ventilation slots clean.**

In order to avoid safety hazards, if the power supply cord needs to be replaced, this must be done by **Bosch** or by an after-sales service centre that is authorised to repair **Bosch** power tools.

Cleaning

Always remove dust and chips after working by blowing out with compressed air or using a brush.

Lubricating the power tool



Lubricant:

SAE 10/SAE 20 engine oil

- Oil the power tool as necessary at the points indicated.

An authorised Bosch after-sales service centre will handle this work quickly and reliably.

Dispose of lubricants and cleaning products in an environmentally friendly manner, taking legal regulations into account.

Noise reduction measures

Measures implemented by the manufacturer:

- Soft start
- Provided with a saw blade specially developed for noise reduction

Measures implemented by the operator:

- Low-vibration mounting on a stable work surface
- Use of saw blades with noise-reducing functions
- Regular cleaning of the saw blade and power tool

Accessories

	Article number
Angle guide	2 610 015 508
Push stick	1 600 A02 2D7
Saw blades for wood and fibre-board, panels and strips	Article number
254 x 25.4 mm saw blade, 40 teeth	2 608 640 901
254 x 25.4 mm saw blade, 60 teeth	2 608 640 902

After-Sales Service and Application Service

Our after-sales service responds to your questions concerning maintenance and repair of your product as well as spare parts. You can find explosion drawings and information on spare parts at: www.bosch-pt.com

The Bosch product use advice team will be happy to help you with any questions about our products and their accessories.

In all correspondence and spare parts orders, please always include the 10-digit article number given on the nameplate of the product.

Malaysia

Robert Bosch Sdn. Bhd.(220975-V) PT/SMY
No. 8A, Jalan 13/6
46200 Petaling Jaya
Selangor
Tel.: (03) 79663194
Toll-Free: 1800 880188
Fax: (03) 79583838
E-Mail: kiathoe.chong@my.bosch.com
www.bosch-pt.com.my

You can find further service addresses at:

www.bosch-pt.com/serviceaddresses

Disposal

The power tool, accessories and packaging should be recycled in an environmentally friendly manner.



Do not dispose of power tools along with household waste.

Français

Consignes de sécurité

Avertissements de sécurité généraux pour l'outil électrique

AVERTISSEMENT Lire tous les avertissements de sécurité, les instructions, les illustrations et les spécifications fournis

avec cet outil électrique. Ne pas suivre les instructions énumérées ci-dessous peut provoquer un choc électrique, un incendie et/ou une blessure sérieuse.

Conserver tous les avertissements et toutes les instructions pour pouvoir s'y reporter ultérieurement.

Le terme "outil électrique" dans les avertissements fait référence à votre outil électrique alimenté par le secteur (avec cordon d'alimentation) ou votre outil électrique fonctionnant sur batterie (sans cordon d'alimentation).

Sécurité de la zone de travail

- ▶ **Conserver la zone de travail propre et bien éclairée.** Les zones en désordre ou sombres sont propices aux accidents.
- ▶ **Ne pas faire fonctionner les outils électriques en atmosphère explosive, par exemple en présence de liquides inflammables, de gaz ou de poussières.** Les outils électriques produisent des étincelles qui peuvent enflammer les poussières ou les fumées.
- ▶ **Maintenir les enfants et les personnes présentes à l'écart pendant l'utilisation de l'outil électrique.** Les distractions peuvent vous faire perdre le contrôle de l'outil.

Sécurité électrique

- ▶ **Il faut que les fiches de l'outil électrique soient adaptées au socle. Ne jamais modifier la fiche de quelque façon que ce soit. Ne pas utiliser d'adaptateurs avec des outils électriques à branchement de terre.** Des fiches non modifiées et des socles adaptés réduisent le risque de choc électrique.
- ▶ **Éviter tout contact du corps avec des surfaces reliées à la terre telles que les tuyaux, les radiateurs, les cuisinières et les réfrigérateurs.** Il existe un risque accru de choc électrique si votre corps est relié à la terre.
- ▶ **Ne pas exposer les outils électriques à la pluie ou à des conditions humides.** La pénétration d'eau à l'intérieur d'un outil électrique augmente le risque de choc électrique.
- ▶ **Ne pas maltraiter le cordon. Ne jamais utiliser le cordon pour porter, tirer ou débrancher l'outil électrique. Maintenir le cordon à l'écart de la chaleur, du lubrifiant, des arêtes vives ou des parties en mouvement.** Des cordons endommagés ou emmêlés augmentent le risque de choc électrique.
- ▶ **Lorsqu'on utilise un outil électrique à l'extérieur, utiliser un prolongateur adapté à l'utilisation extérieure.** L'utilisation d'un cordon adapté à l'utilisation extérieure réduit le risque de choc électrique.
- ▶ **Si l'usage d'un outil électrique dans un emplacement humide est inévitable, utiliser une alimentation protégée par un dispositif à courant différentiel résiduel (RCD).** L'usage d'un RCD réduit le risque de choc électrique.

Sécurité des personnes

- ▶ **Rester vigilant, regarder ce que vous êtes en train de faire et faire preuve de bon sens dans votre utilisation de l'outil électrique. Ne pas utiliser un outil électrique lorsque vous êtes fatigué ou sous l'emprise de drogues, de l'alcool ou de médicaments.** Un moment d'inattention en cours d'utilisation d'un outil électrique peut entraîner des blessures graves.
- ▶ **Utiliser un équipement de protection individuelle. Toujours porter une protection pour les yeux.** Les équipements de protection individuelle tels que les masques contre les poussières, les chaussures de sécurité antidérapantes, les casques ou les protections auditives utilisés pour les conditions appropriées réduisent les blessures.
- ▶ **Éviter tout démarrage intempestif. S'assurer que l'interrupteur est en position arrêt avant de brancher l'outil au secteur et/ou au bloc de batteries, de le ramasser ou de le porter.** Porter les outils électriques en ayant le doigt sur l'interrupteur ou brancher des outils électriques dont l'interrupteur est en position marche est source d'accidents.
- ▶ **Retirer toute clé de réglage avant de mettre l'outil électrique en marche.** Une clé laissée fixée sur une partie tournante de l'outil électrique peut donner lieu à des blessures.

- ▶ **Ne pas se précipiter. Garder une position et un équilibre adaptés à tout moment.** Cela permet un meilleur contrôle de l'outil électrique dans des situations inattendues.
- ▶ **S'habiller de manière adaptée. Ne pas porter de vêtements amples ou de bijoux. Garder les cheveux et les vêtements à distance des parties en mouvement.** Des vêtements amples, des bijoux ou les cheveux longs peuvent être pris dans des parties en mouvement.
- ▶ **Si des dispositifs sont fournis pour le raccordement d'équipements pour l'extraction et la récupération des poussières, s'assurer qu'ils sont connectés et correctement utilisés.** Utiliser des collecteurs de poussière peut réduire les risques dus aux poussières.
- ▶ **Rester vigilant et ne pas négliger les principes de sécurité de l'outil sous prétexte que vous avez l'habitude de l'utiliser.** Une fraction de seconde d'inattention peut provoquer une blessure grave.

Utilisation et entretien de l'outil électrique

- ▶ **Ne pas forcer l'outil électrique. Utiliser l'outil électrique adapté à votre application.** L'outil électrique adapté réalise mieux le travail et de manière plus sûre au régime pour lequel il a été construit.
- ▶ **Ne pas utiliser l'outil électrique si l'interrupteur ne permet pas de passer de l'état de marche à arrêt et inversement.** Tout outil électrique qui ne peut pas être commandé par l'interrupteur est dangereux et il faut le réparer.
- ▶ **Débrancher la fiche de la source d'alimentation et/ou enlever le bloc de batteries, s'il est amovible, avant tout réglage, changement d'accessoires ou avant de ranger l'outil électrique.** De telles mesures de sécurité préventives réduisent le risque de démarrage accidentel de l'outil électrique.
- ▶ **Conserver les outils électriques à l'arrêt hors de la portée des enfants et ne pas permettre à des personnes ne connaissant pas l'outil électrique ou les présentes instructions de le faire fonctionner.** Les outils électriques sont dangereux entre les mains d'utilisateurs novices.
- ▶ **Observer la maintenance des outils électriques et des accessoires. Vérifier qu'il n'y a pas de mauvais alignement ou de blocage des parties mobiles, des pièces cassées ou toute autre condition pouvant affecter le fonctionnement de l'outil électrique. En cas de dommages, faire réparer l'outil électrique avant de l'utiliser.** De nombreux accidents sont dus à des outils électriques mal entretenus.
- ▶ **Garder affûtés et propres les outils permettant de couper.** Des outils destinés à couper correctement entretenus avec des pièces coupantes tranchantes sont moins susceptibles de bloquer et sont plus faciles à contrôler.
- ▶ **Utiliser l'outil électrique, les accessoires et les lames etc., conformément à ces instructions, en tenant compte des conditions de travail et du travail à réali-**

ser. L'utilisation de l'outil électrique pour des opérations différentes de celles prévues peut donner lieu à des situations dangereuses.

- ▶ **Il faut que les poignées et les surfaces de préhension restent sèches, propres et dépourvues d'huiles et de graisses.** Des poignées et des surfaces de préhension glissantes rendent impossibles la manipulation et le contrôle en toute sécurité de l'outil dans les situations inattendues.

Maintenance et entretien

- ▶ **Faire entretenir l'outil électrique par un réparateur qualifié utilisant uniquement des pièces de rechange identiques.** Cela assure le maintien de la sécurité de l'outil électrique.

Instructions de sécurité relatives aux scies circulaires à table

Avertissements relatifs à la protection

- ▶ **Laisser les protecteurs en place. Les protecteurs doivent être en état de fonctionnement et montés correctement.** Un protecteur mal fixé, endommagé ou ne fonctionnant pas correctement doit être réparé ou remplacé.
- ▶ **Toujours utiliser un protecteur de lames, un couteau diviseur et un appareil anti-recul pour toute opération de coupe transversante.** Pour les opérations de coupe transversante où la lame traverse complètement l'épaisseur de la pièce, le protecteur et les autres appareils de sécurité contribuent à limiter le risque de blessure.
- ▶ **Fixer de nouveau immédiatement le protecteur après l'exécution d'une opération (telle que le refeuillement) qui nécessite l'enlèvement du protecteur, du couteau diviseur et/ou de l'appareil anti-recul.** Le protecteur, le couteau diviseur et l'appareil anti-recul contribuent à limiter le risque de blessure.
- ▶ **Veiller à ce que la lame n'entre pas en contact avec le protecteur, le couteau diviseur ou la pièce avant le déclenchement du commutateur.** Un contact involontaire de ces éléments avec la lame pourrait entraîner un fonctionnement dangereux.
- ▶ **Ajuster le couteau diviseur comme décrit dans la notice d'utilisation.** Un espacement, un positionnement et un alignement incorrects peuvent empêcher le couteau diviseur de limiter le risque de recul.
- ▶ **Pour que le couteau diviseur et l'appareil anti-recul fonctionnent, ils doivent être engagés dans la pièce.** Le couteau diviseur et l'appareil anti-recul sont inefficaces lorsque l'on coupe des pièces trop courtes pour que le couteau diviseur et l'appareil anti-recul puissent s'engager. Dans ces conditions, le couteau diviseur et l'appareil anti-recul ne peuvent pas empêcher un recul de se produire.
- ▶ **Utiliser la lame appropriée au couteau diviseur.** Pour que le couteau diviseur fonctionne correctement, le diamètre de la lame doit correspondre au couteau diviseur approprié, l'épaisseur de la lame de scie doit être plus

mince que celle du couteau diviseur et la largeur de coupe de la lame de scie doit être supérieure à l'épaisseur du couteau diviseur.

Avertissements relatifs aux modes opératoires de coupe

- ▶ **⚠ DANGER: Ne jamais mettre les doigts ou les mains à proximité ou dans l'alignement de la lame.** Votre main pourrait glisser ou se diriger vers la lame dans un moment d'inattention et entraîner une blessure grave.
- ▶ **Avancer la pièce en direction de la lame uniquement dans le sens inverse de rotation.** L'avance de la pièce dans le même sens que le sens de rotation de la lame au-dessus de la table peut entraîner la pièce et la main dans la lame.
- ▶ **Ne jamais utiliser le guide inclinable pour avancer la pièce lors d'un sciage en long et ne pas utiliser le guide longitudinal comme butée longitudinale lors d'un sciage en travers à l'aide du guide inclinable.** Le guidage de la pièce en utilisant en même temps le guide longitudinal et le guide inclinable augmente le risque de blocage de la lame et de recul.
- ▶ **Lors d'un sciage en long, toujours appliquer la force d'alimentation de la pièce entre le guide et la lame. Utiliser un poussoir lorsque la distance entre le guide et la lame est inférieure à 150mm et utiliser un bloc-poussoir lorsque cette distance est inférieure à 50 mm.** Des appareils d'aide à l'utilisation maintiendront la main à une distance sans risque de la lame.
- ▶ **Utiliser seulement le poussoir fourni par le fabricant ou construit conformément aux instructions.** Ce poussoir permet de garder une distance suffisante entre la main et la lame.
- ▶ **Ne jamais utiliser un poussoir endommagé ou coupé.** Un poussoir endommagé peut faire glisser votre main dans la lame.
- ▶ **Ne jamais effectuer une opération "à main levée". Toujours utiliser le guide longitudinal ou le guide inclinable pour positionner et guider la pièce.** "À main levée" signifie utiliser ses mains pour soutenir ou guider la pièce, au lieu d'un guide longitudinal ou inclinable. Une coupe à main levée entraîne un mauvais alignement, un blocage et un recul.
- ▶ **Ne jamais tendre le bras autour ou au-dessus de la lame rotative.** Le fait d'étendre le bras pour atteindre une pièce peut entraîner un contact accidentel avec la lame rotative.
- ▶ **Prévoir un support supplémentaire de la pièce à l'arrière et/ou sur les côtés de la scie circulaire pour des pièces longues et/ou larges afin de les maintenir à plat.** Une pièce longue et/ou large a tendance à pivoter sur le bord de la table, entraînant une perte de contrôle, un blocage de la lame et un recul.
- ▶ **Avancer la pièce à un rythme régulier. Ne pas plier ou tordre la pièce. En cas de coincement de la lame, arrêter l'outil immédiatement, le débrancher et décroincer la lame.** Un coincement de la lame par la pièce peut provoquer un recul ou faire caler le moteur.

- ▶ **Ne pas enlever des morceaux de matériau coupé lors du fonctionnement de la lame.** Le matériau peut être emprisonné entre le guide ou à l'intérieur du protecteur de lame et la lame, entraînant vos doigts dans la lame. Stopper le fonctionnement de la scie et attendre l'arrêt de la scie avant de retirer le matériau.
- ▶ **Utiliser un guide auxiliaire en contact avec le plateau de la table lors d'un sciage en long de pièces d'épaisseur inférieure à 2 mm.** Une pièce mince peut se coincer sous le guide longitudinal et provoquer un recul.

Causes de recul et avertissements associés

Le recul est une réaction soudaine de la pièce due à une lame pincée, bloquée ou une ligne de coupe mal alignée dans la pièce par rapport à la position de la lame ou lorsqu'une partie de la pièce se bloque entre la lame et le guide longitudinal ou un autre objet fixe.

Le plus souvent lors d'un recul, la pièce est soulevée de la table par la partie arrière de la lame et est projetée en direction de l'opérateur.

Le recul résulte d'une mauvaise utilisation de la scie et/ou de modes opératoires ou de conditions de fonctionnement incorrects et peut être évité en prenant les précautions nécessaires telles qu'indiquées ci-dessous.

- ▶ **Ne jamais se tenir dans l'alignement direct de la lame.** Toujours se tenir du même côté de la lame que le guide. Un recul peut propulser la pièce à une vitesse rapide vers quiconque se trouvant devant et dans l'alignement de la lame.
- ▶ **Ne jamais tendre le bras au-dessus ou à l'arrière de la lame pour retirer ou soutenir la pièce.** Un contact accidentel avec la lame peut se produire ou un recul peut entraîner vos doigts dans la lame.
- ▶ **Ne jamais maintenir et presser la pièce contre la lame rotative.** Presser la pièce contre la lame rotative provoquera un blocage de la lame et un recul.
- ▶ **Aligner le guide parallèlement à la lame.** Un mauvais alignement du guide entraînera un pincement de la pièce contre la lame et un recul.
- ▶ **Utiliser un peigne anti-recul pour guider la pièce contre la table et le guide lors des coupes non traversantes tels que le refeuillement.** Un peigne anti-recul aide à contrôler la pièce en cas de recul.
- ▶ **Soutenir les grands panneaux pour limiter le risque d'un blocage de la lame et d'un recul.** Les grands panneaux ont tendance à s'affaisser sous leur propre poids. Un (des) support(s) doit (vent) être placé(s) sous toutes les portions du panneau par-dessus la table.
- ▶ **User de précautions supplémentaires lors de la coupe d'une pièce torsadée, gauchie ou comportant des noeuds, qui n'a pas un bord droit pour le guider à l'aide d'un guide inclinable ou le long du guide.** Une pièce torsadée, gauchie ou comportant des noeuds est instable et provoquer un mauvais alignement du trait de scie avec la lame, un blocage de la lame et un recul.

- ▶ **Ne jamais couper plusieurs pièces empilées verticalement ou horizontalement.** La lame pourrait attraper plusieurs pièces et provoquer un recul.
- ▶ **Lors d'un redémarrage d'une scie avec une lame de scie dans la pièce, centrer la lame dans le trait de scie de sorte que les dents ne pénètrent pas dans le matériau.** Si la lame se bloque, elle peut soulever la pièce et provoquer un recul lors du redémarrage de la scie.
- ▶ **Maintenir les lames propres, bien aiguisées et avec un écart latéral suffisant. Ne jamais utiliser des lames gauchies ou des lames dont les dents sont fissurées ou cassées.** Des lames bien aiguisées et ayant un bon écart latéral limitent le risque de blocage, de calage et de recul.

Avertissements relatifs au mode opératoire de fonctionnement de la scie circulaire à table

- ▶ **Arrêter le fonctionnement de la scie circulaire et débrancher le cordon d'alimentation lors de l'enlèvement de la plaque amovible, du remplacement de la lame de scie ou des réglages du couteau diviseur, de l'appareil anti-recul ou du protecteur de lame, et lorsque la machine est laissée sans surveillance.** Ces mesures de précaution éviteront les accidents.
- ▶ **Ne jamais laisser la scie circulaire à table fonctionner sans surveillance. Arrêter le fonctionnement et ne pas quitter l'outil tant qu'il n'a pas cessé de fonctionner.** Une scie fonctionnant sans surveillance est un danger incontrôlé.
- ▶ **Placer la scie circulaire à table dans un endroit bien éclairé et sur une surface plane où elle peut être maintenue bien en appui et en équilibre. Il convient de l'installer dans un endroit qui prévoit une place suffisante pour pouvoir manipuler facilement la pièce quelle que soit sa taille.** Des endroits exigus, sombres et des sols inégaux et glissants sont susceptibles de provoquer des accidents.
- ▶ **Nettoyer fréquemment et enlever la sciure accumulée sous la scie circulaire à table et/ou sous l'appareil de dépoussiérage.** La sciure accumulée est combustible et peut s'enflammer.
- ▶ **La scie circulaire à table doit être immobilisée.** Une scie circulaire à table mal immobilisée peut bouger ou basculer.
- ▶ **Enlever les outils, copeaux de bois, etc. de la table avant de faire fonctionner la scie.** Un moment d'inattention ou un coincement éventuel peut être dangereux.
- ▶ **Toujours utiliser des lames de scie de dimensions et de forme appropriées des alésages centraux (lame de scie au diamant contre lame de scie ronde).** Des lames qui ne sont pas conformes aux matériels de montage de la scie seront excentrées, provoquant une perte de contrôle.
- ▶ **Ne jamais utiliser des appareils de montage, tels que des flasques, des rondelles de lame, des boulons ou écrous, endommagés ou inadaptés.** Ces appareils de montage ont été spécialement conçus pour être utilisés

avec votre scie, à des fins de fonctionnement sûr et de performance optimale.

- ▶ **Ne jamais se tenir sur la scie circulaire à table, ne pas l'utiliser comme tabouret.** Des blessures sérieuses peuvent survenir si l'outil bascule ou en cas de contact accidentel avec l'outil de coupe.
- ▶ **Veiller à ce que la scie circulaire à table soit installée de façon à tourner dans la bonne direction. Ne pas utiliser des meules, des brosses métalliques ou des disques abrasifs sur une scie circulaire à table.** Une installation incorrecte de la lame ou l'utilisation d'accessoires non recommandés peut entraîner de graves blessures.

Consignes de sécurité additionnelles

- ▶ **Portez toujours des gants de protection pour monter la lame de scie.** Il y a risque de blessure.
- ▶ **N'utilisez pas de lames en acier HSS (acier super rapide).** De telles lames se cassent facilement.
- ▶ **N'utilisez que des lames de scie conformes aux caractéristiques techniques indiquées dans la présente notice d'utilisation et sur l'outil électroportatif, qui ont été contrôlées selon la norme EN 847-1 et qui disposent du marquage correspondant.**
- ▶ **N'utilisez jamais l'outil électroportatif sans pare-éclats. Remplacez le pare-éclats quand il est défectueux.** Vous risqueriez de vous blesser au niveau de la lame si le pare-éclats n'est pas en parfait état.
- ▶ **Veillez à une bonne propreté du poste de travail.** Les mélanges de matériau sont particulièrement dangereux. La poussière de métal fine peut s'enflammer ou exploser.
- ▶ **Choisissez la lame de scie appropriée pour le matériau à scier.**
- ▶ **N'utilisez que des lames de scie recommandées par le fabricant de cet outil électroportatif pour le type de matériau à scier.**
- ▶ **Ne guidez la pièce vers la lame que quand la scie est en marche.** Il y a sinon risque de rebond, au cas où la lame de scie resterait coincée dans la pièce.

Symboles

Les symboles suivants peuvent être importants pour l'utilisation de votre outil électroportatif. Veuillez mémoriser les symboles et leur signification. L'interprétation correcte des symboles vous permettra de mieux utiliser votre outil électroportatif et en toute sécurité.

Symboles et leur signification



N'approchez en aucun cas les mains de la zone de sciage pendant le fonctionnement de l'outil électroportatif. Il y a risque de blessure grave en cas de contact avec la lame de scie.

Symboles et leur signification



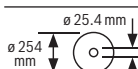
Portez toujours des lunettes de protection.



Portez une protection auditive. L'exposition aux bruits peut provoquer une perte de l'audition.

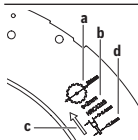


Portez un masque à poussière.



Respectez les dimensions prescrites de la lame de scie. Le diamètre de l'alésage central doit correspondre exactement à celui de la broche (pas de jeu). Lorsqu'il est nécessaire d'utiliser des bagues de réduction, veillez à ce que les dimensions de la bague de réduction soient adaptées à l'épaisseur du corps de lame, au diamètre de l'alésage de la lame et au diamètre de la broche de l'outil. Utilisez dans la mesure du possible les bagues de réduction fournies avec la lame.

Le diamètre de lame doit correspondre à l'indication du pictogramme.

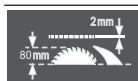


a Le diamètre de la lame ne doit pas dépasser 254 mm.

b L'épaisseur du couteau diviseur est de 2 mm.

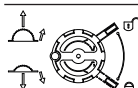
c Le sens de coupe des dents (indiquée par une flèche sur la lame) doit correspondre au sens de la flèche sur le couteau diviseur.

d Veillez lors du changement de la lame à ce que la largeur de coupe ne soit pas inférieure à 2,4 mm et à ce que l'épaisseur du corps de lame ne soit pas supérieure à 1,8 mm. Le couteau diviseur risque sinon de coincer dans la pièce.



L'épaisseur du couteau diviseur est de 2 mm.

La hauteur maximale possible de la pièce est de 80 mm.



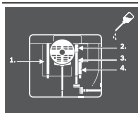
Côté gauche :

Indique le sens de rotation de la manivelle pour abaisser (**position de transport**) et relever (**position de travail**) la lame.

Symboles et leur signification

Côté droit :

Indique la position du levier de blocage de la lame de scie et lors du réglage de l'angle d'inclinaison (lame de scie orientable).



Le cas échéant, lubrifiez l'outil électroportatif aux endroits indiqués.



Les outils électroportatifs de la classe de protection II sont renforcés ou dotés d'une double isolation.



Avec le marquage CE, le fabricant atteste que l'outil électroportatif est conforme aux directives UE en vigueur.

Description des prestations et du produit



Lisez attentivement toutes les instructions et consignes de sécurité. Le non-respect des instructions et consignes de sécurité peut provoquer un choc électrique, un incendie et/ou entraîner de graves blessures.

Référez-vous aux illustrations qui se trouvent à l'avant de la notice d'utilisation.

Utilisation conforme

Destiné à un usage stationnaire, l'outil électroportatif est conçu pour effectuer des coupes droites longitudinales et transversales dans le bois dur et le bois tendre ainsi que dans les panneaux agglomérés et les panneaux de fibres. Il permet de régler des angles de -30° à $+30^\circ$ dans le plan horizontal (coupes d'onglets) et des angles d'inclinaison de 0° à 45° dans le plan vertical (coupes biaisées).

L'outil électroportatif peut aussi servir à scier de l'aluminium et des matières plastiques à condition d'utiliser des lames de scie appropriées.

Éléments constitutifs

La numérotation des éléments de l'appareil se réfère à la représentation de l'outil électroportatif sur la page graphique.

- (1) Échelle graduée pour distance lame de scie/butée parallèle
- (2) Échelle graduée pour distance lame de scie/butée parallèle quand la rallonge est déployée
- (3) Butée angulaire
- (4) Table de sciage
- (5) Rainure de guidage pour butée angulaire
- (6) Capot de protection
- (7) Blocage antirecul
- (8) Pare-éclats
- (9) Butée parallèle
- (10) Rallonge de table de sciage
- (11) Poignées encastrées
- (12) Rangement pour butée parallèle
- (13) Protection anti-basculement
- (14) Bâti
- (15) Poussoir de sécurité
- (16) Levier de blocage du réglage d'angles d'inclinaison (coupes biaisées)
- (17) Manivelle pour lever ou baisser la lame de scie
- (18) Volant
- (19) Cache de protection de l'interrupteur Marche/Arrêt
- (20) Bouton de serrage de la rallonge de table de sciage
- (21) Logement pour poussoir de sécurité
- (22) Butée pour angle d'inclinaison de 45° (coupes biaisées)
- (23) Échelle graduée d'angles d'inclinaison (coupes biaisées)
- (24) Butée pour angle d'inclinaison de 0° (coupes biaisées)
- (25) Touche Marche
- (26) Touche Redémarrage
- (27) Couteau diviseur
- (28) Lame de scie
- (29) Logement pour butée angulaire
- (30) Porte-câble
- (31) Orifices de fixation sur le bâti
- (32) Orifices de fixation
- (33) Logement pour outils/blocage antirecul
- (34) Adaptateur d'aspiration
- (35) Clé polygonale (10 mm ; 13 mm)
- (36) Clé à ergots/clé plate (10 mm)
- (37) Set de fixation « bâti »
- (38) Set de fixation « protection anti-basculement »
- (39) Set de fixation « outil électroportatif »
- (40) Broche de couteau diviseur
- (41) Échancrures pour le pare-éclats
- (42) Bouton-poussoir du blocage antirecul
- (43) Bouton de serrage de la butée parallèle
- (44) Guidage en V de la butée parallèle
- (45) Rainure de guidage en V sur la table de sciage pour la butée parallèle
- (46) Rainure de guidage pour butée parallèle
- (47) Butée parallèle additionnelle
- (48) Set de fixation « butée parallèle additionnelle »
- (49) Rail de guidage de la butée angulaire
- (50) Rail profilé

- | | |
|---|--|
| <p>(51) Écrou à oreilles du rail profilé</p> <p>(52) Couvre-lame inférieur</p> <p>(53) Vis de fixation du couvre-lame inférieur</p> <p>(54) Trou de préhension du pare-éclats</p> <p>(55) Flasque de serrage</p> <p>(56) Vis à tête hexagonale de la lame de scie</p> <p>(57) Rondelle</p> <p>(58) Flasque d'entraînement</p> <p>(59) Indicateur d'angle (coupes biaisées)</p> <p>(60) Poignée de blocage d'angles d'onglet (plan horizontal)</p> <p>(61) Indicateur d'angle sur la butée angulaire</p> <p>(62) Loupe</p> | <p>(63) Indicateur de distance de la table de sciage</p> <p>(64) Vis à tête cruciforme pour le réglage de la butée à 0°</p> <p>(65) Vis de l'indicateur d'angle d'inclinaison (coupes biaisées)</p> <p>(66) Vis à tête cruciforme pour le réglage de la butée à 45°</p> <p>(67) Vis à six pans creux (5 mm) à l'avant pour réglage du parallélisme de la lame de scie</p> <p>(68) Vis à six pans creux (5 mm) à l'arrière pour réglage du parallélisme de la lame de scie</p> <p>(69) Vis de l'indicateur de distance de la table de sciage</p> <p>(70) Vis à six pans creux (5 mm) pour réglage du parallélisme de la butée parallèle</p> <p>(71) Vis de l'indicateur de distance de la butée parallèle</p> |
|---|--|

Caractéristiques techniques

Scie sur table		GTS 254	GTS 254
Référence		3 601 M45 080 3 601 M45 0L0 3 601 M45 0K0 3 601 M45 0F0	3 601 M45 0C0
Puissance absorbée nominale	W	1 800	1 800
Régime à vide	tr/min	4 300	3 800
Limitation du courant de démarrage		●	●
Poids selon EPTA-Procédure 01:2014	kg	24,4	24,4
Indice de protection		□ / II	□ / II
Dimensions (y compris les éléments amovibles)			
Largeur x profondeur x hauteur	mm	690 x 620 x 1 000	690 x 620 x 1 000
Dimensions admissibles des lames de scie			
Diamètre de lame de scie	mm	254	254
Épaisseur de corps de lame	mm	< 1,8	< 1,8
Épaisseur/avoyage mini des dents	mm	> 2,4	> 2,4
Diamètre de l'alésage	mm	25,4	25,4

Dimensions maximales de la pièce : (voir « Dimensions maximales de la pièce », Page 35)

Les données indiquées sont valables pour une tension nominale [U] de 230 V. Elles peuvent varier lorsque la tension diffère de cette valeur et sur certaines versions destinées à certains pays.

Montage

- **Évitez un démarrage accidentel de l'outil électroportatif. Pendant le montage et lors de travaux sur l'outil électroportatif, la fiche de secteur ne doit pas être connectée à l'alimentation en courant.**

Contenu

Avant la première mise en service de l'outil électroportatif, vérifiez qu'il ne manque aucune des pièces indiquées ci-dessous :

- Scie circulaire sur table avec lame de scie **(28)** montée
- Set de fixation « outil électroportatif » **(39)** (8 vis de fixation, 8 rondelles)
- Bâti **(14)**
- Set de fixation « bâti » **(37)** (16 vis de fixation, 16 rondelles, 16 circlips, 16 écrous)
- Protection anti-basculement **(13)**
- Set de fixation « protection anti-basculement » **(38)** (4 vis de fixation, 8 rondelles, 4 circlips, 4 écrous)
- Butée angulaire **(3)**
- Rail profilé **(50)**
- Écrou à oreilles « rail profilé » **(51)**
- Butée parallèle **(9)**
- Butée parallèle additionnelle **(47)**
- Set de fixation « butée parallèle additionnelle » **(48)** (2 vis de fixation, 2 écrous à oreilles)

- Couteau diviseur (27) avec capot de protection (6) monté
- Blocage anti-recul (7)
- Clé polygonale (35)
- Clé à ergots/clé plate (36)
- Poussoir de sécurité (15)
- Pare-éclats (8)

Remarque : Assurez-vous que l'outil électroportatif n'est pas endommagé.

Avant d'utiliser l'outil électroportatif, assurez-vous que les dispositifs de protection ou pièces légèrement endommagées peuvent bien remplir leur fonction. Contrôlez si les pièces mobiles fonctionnent correctement sans coincer et assurez-vous qu'aucune pièce n'est endommagée. Pour garantir un fonctionnement correct, toutes les pièces doivent être correctement montées et en parfait état.

Faites réparer ou remplacer les dispositifs de protection et pièces endommagés dans un centre de service après-vente agréé.

Montage stationnaire ou flexible

► **Pour pouvoir être utilisé en toute sécurité, l'outil électroportatif doit être installé sur une surface de travail plane et stable (par ex. un établi) avant son utilisation.**

Montage avec bâti et protection anti-basculement (voir figures a1 – a3)

Pour le montage, utilisez les sets de fixation « bâti » (37), « protection anti-basculement » (38) et « outil électroportatif » (39).

- Assemblez le bâti (14). Serrez fermement les vis.
- Vissez la protection anti-basculement (13) sur le bâti.
- Positionnez l'outil électroportatif sur le bâti de façon à ce que la protection anti-basculement soit orientée vers l'arrière.
- Fixez l'outil électroportatif sur le bâti. Introduisez pour cela les vis dans les alésages (31) de l'outil électroportatif et dans les trous du bâti prévus à cet effet.

Montage sans bâti (voir figure b)

- Fixez l'outil électroportatif sur le plan de travail avec des vis adéquates. Introduisez pour cela les vis dans les orifices (32).

Montage des pièces fournies

- Sortez avec précaution de l'emballage toutes les pièces fournies.
- Retirez intégralement le matériau d'emballage qui enveloppe l'outil électroportatif et les accessoires fournis.
- Veillez à enlever l'emballage sous le bloc-moteur.

Les éléments suivants sont directement fixés sur le carter : blocage antirecul (7), clé polygonale (35), clé à ergots/clé plate (36), butée angulaire (3), butée parallèle (9), butée parallèle additionnelle (47) avec set de fixation (48), capot de protection (6), poussoir de sécurité (15), lame de scie (28).

- Si vous avez besoin de l'un de ces éléments, retirez-le avec précaution de son range-accessoires.

Montage du couteau diviseur (voir figures c)

Remarque : Si nécessaire, nettoyez toutes les pièces avant de les monter et de les ajuster.

- Retirez si nécessaire le pare-éclats (8).
- Tournez la manivelle (17) dans le sens horaire jusqu'en butée de manière à ce que la lame de scie (28) se trouve dans la position la plus élevée possible au-dessus de la table de sciage.
- Desserrez la broche (40) avec la clé annulaire (35).
- Positionnez le couteau diviseur (27) et poussez-le à fond vers le bas.
- Resserrez la broche (40) avec la clé annulaire (35).
- Montez le pare-éclats (8).

Montage du pare-éclats (voir figure d)

- Emboîtez le pare-éclats (8) dans les échancrures arrière (41) de l'évidement de l'outil.
- Déplacez le pare-éclats vers le bas.
- Appuyez sur le pare-éclats jusqu'à ce qu'il s'enclenche sur la partie avant de l'évidement de l'outil.

Montage du blocage antirecul (voir figure e)

En cas de mouvement de rebond ou de contrecoup, le blocage antirecul (7) empêche que la pièce soit projetée en direction de l'opérateur. Les dents acérées des ailettes pénètrent dans la surface de la pièce et la retiennent.

- Comprimez le bouton-poussoir (42) du blocage antirecul (7). Cela a pour effet de repousser le pion de guidage vers l'arrière.
- Positionnez le blocage antirecul (7) au-dessus du couteau diviseur (27) et relâchez le bouton-poussoir (42).
- Faites glisser le blocage antirecul en direction du capot de protection jusqu'à ce que le pion de guidage s'enclenche dans l'orifice arrière en haut du couteau diviseur.
- Vérifiez que le pion de guidage est bien logé dans l'orifice et que le blocage antirecul fonctionne correctement. Soulevez avec précaution les ailettes du blocage antirecul. Lorsqu'elles sont relâchées, les ailettes tarées par ressort doivent redescendre et venir en contact avec le pare-éclats.

Montage de la butée parallèle (voir figure f)

La butée parallèle (9) peut être positionnée à droite ou à gauche de la lame.

- Desserrez le bouton de serrage (43) de la butée parallèle (9). Le guidage en V (44) est ainsi libéré.
- Insérez d'abord la butée parallèle avec le guidage en V dans la rainure de guidage (45) de la table de sciage. Positionnez ensuite la butée parallèle dans la rainure de guidage avant (46) de la table de sciage. La butée parallèle peut alors être déplacée à volonté.
- Pour bloquer la butée parallèle, poussez le bouton de serrage (43) vers le bas.

Montage de la butée parallèle additionnelle (voir figure g)

Pour scier des pièces étroites et réaliser des coupes biaisés, il est nécessaire de monter la butée parallèle additionnelle (47) sur la butée parallèle (9).

La butée parallèle additionnelle peut au besoin être montée à gauche ou à droite de la butée parallèle (9).

Utilisez pour le montage le set de fixation « butée parallèle additionnelle » (48) (2 vis de fixation, 2 écrous à oreilles)

- Insérez les vis de fixation dans les trous latéraux de la butée parallèle (9).
- Les têtes de vis servent à guider la butée parallèle additionnelle.
- Glissez la butée parallèle additionnelle (47) au-dessus des têtes des vis de fixation.
- Serrez les vis à l'aide des écrous à oreilles.

Montez la butée angulaire (voir figure h1 – h2)

- Insérez le rail (49) de la butée angulaire (3) dans l'une des rainures de guidage (5) de la table de sciage prévues à cet effet.

Pour améliorer l'appui de pièces longues, il est possible d'élargir la butée angulaire avec le rail profilé (50).

- Si nécessaire, montez le rail profilé sur la butée angulaire à l'aide des écrous à oreilles (51).

Aspiration de poussières/de copeaux

Les poussières de matériaux tels que peintures contenant du plomb, certains bois, minéraux ou métaux, peuvent être nuisibles à la santé. Le contact avec les poussières ou leur inhalation peut entraîner des réactions allergiques et/ou des maladies respiratoires auprès de l'utilisateur ou des personnes se trouvant à proximité.

Certaines poussières telles que les poussières de chêne ou de hêtre sont considérées comme cancérigènes, surtout en association avec des additifs pour le traitement du bois (chromate, lasure). Les matériaux contenant de l'amiante ne doivent être travaillés que par des personnes qualifiées.

- Si possible, utilisez un dispositif d'aspiration des poussières approprié au matériau.
- Veillez à bien aérer la zone de travail.
- Il est recommandé de porter un masque respiratoire avec un niveau de filtration de classe P2.

Respectez les règlements spécifiques aux matériaux à traiter en vigueur dans votre pays.

L'aspiration des poussières/des copeaux peut être bloquée par de la poussière, des copeaux ou des fragments de pièce.

- Arrêtez l'outil électroportatif et débranchez le câble d'alimentation de la prise secteur.
- Attendez l'arrêt total de la lame de scie.
- Déterminez la cause du blocage et éliminez-la.

► **Évitez toute accumulation de poussières sur le lieu de travail.** Les poussières peuvent facilement s'enflammer.

► **Pour éviter tout risque d'incendie lors du sciage d'aluminium, videz l'éjecteur de copeaux et travaillez sans dispositif d'aspiration des copeaux.**

Vidage de l'éjecteur de copeaux (voir figure i)

Pour retirer des fragments de pièce et de grands copeaux, vous pouvez ouvrir le couvre-lame inférieur (52).

- Arrêtez l'outil électroportatif et débranchez le câble d'alimentation de la prise secteur.
- Attendez l'immobilisation complète de la lame de scie.
- Inclinez l'outil électroportatif sur le côté.
- Desserrez les vis de fixation (53) et ouvrez le couvre-lame inférieur (52).
- Éliminez les fragments de matériaux et les copeaux.
- Fermez le couvre-lame inférieur et revissez-le.
- Placez l'outil électroportatif dans la position de travail.

Aspiration au moyen d'un aspirateur (voir figure j)

- Emboîtez un flexible d'aspirateur de diamètre approprié dans l'adaptateur d'aspiration (34).

L'aspirateur doit être conçu pour le type de matériau à scier.

Pour l'aspiration de poussières particulièrement nocives, cancérigènes ou sèches, utilisez un aspirateur spécial.

Changement de la lame de scie (voir figures k1 – k4)

- **Débranchez le câble d'alimentation de la prise avant d'effectuer des travaux quels qu'il soient sur l'outil électroportatif.**
- **Portez toujours des gants de protection pour monter la lame de scie.** Il y a risque de blessure.
- **N'utilisez que des lames de scie dont la vitesse de rotation maximale admissible est supérieure au régime à vide de votre outil électroportatif.**
- **N'utilisez que des lames de scie conformes aux caractéristiques techniques indiquées dans la présente notice d'utilisation et sur l'outil électroportatif, qui ont été contrôlées selon la norme EN 847-1 et qui disposent du marquage correspondant.**
- **N'utilisez que des lames de scie recommandées par le fabricant de cet outil électroportatif et adaptées au type de matériau à découper.** Vous éviterez ainsi tout risque de surchauffe de la pointe des dents et de fonte du plastique à découper.
- **N'utilisez pas de lames en acier HSS (acier super rapide).** De telles lames se cassent facilement.

Démontage de la lame de scie

- Tournez la manivelle (17) dans le sens horaire jusqu'en butée de manière à ce que la lame de scie (28) se trouve dans la position la plus élevée possible au-dessus de la table de sciage.
- Rabattez le capot de protection (6) vers l'arrière.
- Soulevez le pare-éclats (8) au niveau du trou (54) puis retirez le pare-éclats de l'évidement de l'outil.
- Dévissez la vis à tête hexagonale (56) dans le sens anti-horaire avec la clé polygonale (35) tout en bloquant le flasque de serrage (55) avec la clé à ergots (36).
- Retirez la rondelle (57) et le flasque de serrage (55).
- Retirez la lame de scie (28).

Mise en place de la lame de scie

Si nécessaire, nettoyez préalablement toutes les pièces à monter.

- Montez la nouvelle lame de scie sur le flasque d'entraînement (58) de la broche porte-outil.

Remarque : n'utilisez pas de lames de scie trop petites. L'écart radial entre lame de scie et couteau diviseur doit être de 3 – 8 mm au maximum.

- ▶ **Lors du montage, assurez-vous que le sens de coupe des dents (sens de la flèche sur la lame de scie) coïncide avec le sens de la flèche sur le capot de protection !**
- Montez le flasque de serrage (55), la rondelle (57) et la vis à tête hexagonale (56).
- Serrez la vis à tête hexagonale (56) dans le sens horaire avec la clé polygonale (35) tout en bloquant le flasque de serrage avec la clé à ergots (36).
- Remontez le pare-éclats (8).
- Rabattez le capot de protection (6) vers l'avant.

Utilisation

- ▶ **Débranchez le câble d'alimentation de la prise avant d'effectuer des travaux quels qu'il soient sur l'outil électroportatif.**

Position de transport et de travail de la lame de scie

Position de transport

- Retirez le capot de protection (6), puis le pare-éclats (8) et positionnez le couteau diviseur (27) dans la position la plus basse. Remontez le pare-éclats (8).
- Tournez la manivelle (17) dans le sens antihoraire jusqu'à ce que les dents de la lame de scie (28) se trouvent en dessus de la table de sciage (4).
- Poussez la rallonge de table de sciage (10) à fond vers l'intérieur. Poussez le bouton de serrage (20) vers le bas. Ceci bloque la rallonge.

Position de travail

- Positionnez le couteau diviseur (27) dans la position la plus élevée exactement au-dessus de centre de la lame de scie, installez le pare-éclats (8), puis montez le capot de protection (6).
- Tournez la manivelle (17) dans le sens horaire jusqu'à ce que les dents supérieures de la lame de scie (28) soient positionnées env. 3 – 6 mm au-dessus de la pièce.

Réglage d'angles d'onglet et d'angles d'inclinaison

Pour pouvoir réaliser des coupes précises, il est nécessaire après une utilisation intensive de contrôler et, le cas échéant, de corriger les réglages de base de l'outil électroportatif.

Réglage d'angles d'inclinaison pour coupes biaisées (lame de scie) (voir figure A)

Il est possible de régler des angles d'inclinaison de 0° à 45°.

- Desserrez le levier de blocage (16) dans le sens antihoraire.

Remarque : lors du desserrage complet du levier de blocage, la lame de scie bascule sous l'effet de la gravité dans une position correspondant à 30° environ.

- Tirez ou poussez le volant (18) le long de la coulisse jusqu'à ce que l'indicateur d'angle (59) indique l'angle d'inclinaison souhaité.
- Maintenez le volant dans cette position et resserrez le levier de blocage (16).

Pour permettre le réglage rapide et précis des angles d'inclinaison standard 0° et 45°, des butées réglées en usine ((24), (22)) sont installées.

Réglage d'angles d'onglet dans le plan horizontal (butée angulaire) (voir figure B)

Il est possible de régler dans le plan horizontal des angles d'onglet de 30° (vers la gauche) à 30° (vers la droite).

- Desserrez le bouton de blocage (60) (au cas où celui-ci serait serré).
- Tournez la butée angulaire jusqu'à ce que l'indicateur d'angle (61) affiche l'angle d'onglet souhaité.
- Resserrez le bouton de blocage (60).

Agrandissement de la table de sciage

Les pièces longues et lourdes doivent être soutenues par des cales ou autre au niveau de leur extrémité libre.

Rallonge de table de sciage (voir figure C)

La rallonge de table de sciage (10) élargit la table de sciage (4) vers la droite à 950 mm au maximum.

- Tirez le bouton de serrage (20) de la rallonge à fond vers le haut.
- Tirez la rallonge (10) vers l'extérieur jusqu'à atteindre la longueur souhaitée.
- Poussez le bouton de serrage (20) vers le bas. Ceci bloque la rallonge.

Réglage de la butée parallèle

La butée parallèle (9) peut être positionnée à droite ou à gauche de la lame. Le marquage dans la loupe (62) indique la distance entre butée parallèle et lame de scie réglée sur l'échelle graduée (1).

Positionnez la butée parallèle sur le côté souhaité de la lame de scie (voir « Montage de la butée parallèle (voir figure f) », Page 31).

Réglage de la butée parallèle en cas de table de sciage non déployée

- Desserrez le bouton de serrage (43) de la butée parallèle (9). Déplacez la butée parallèle jusqu'à ce que le marquage dans la loupe (62) affiche la distance souhaitée par rapport à la lame de scie.

Quand la table de sciage n'est pas déployée, c'est le marquage de l'échelle graduée (1) qui compte.

- Pour le blocage, poussez le bouton de serrage (43) à nouveau vers le bas.

Réglage de la butée parallèle quand la table de sciage est déployée (voir figure D)

- Positionnez la butée parallèle à droite de la lame de scie. Déplacez la butée parallèle jusqu'à ce que le marquage dans la loupe (62) sur l'échelle graduée affiche (1) 28 cm.
- Pour le blocage, poussez le bouton de serrage (43) à nouveau vers le bas.
- Tirez le bouton de serrage (20) de la rallonge à fond vers le haut.
- Tirez la rallonge (10) vers l'extérieur jusqu'à ce que l'indicateur de distance (63) affiche la distance souhaitée par rapport à la lame de scie sur l'échelle graduée (2).
- Poussez le bouton de serrage (20) vers le bas. Cela bloque la rallonge.

Réglage de la butée parallèle additionnelle (voir figure E)

Pour scier des pièces étroites et réaliser des coupes biaisées, il est nécessaire de monter la butée parallèle additionnelle (47) sur la butée parallèle (9).

La butée parallèle additionnelle peut, suivant les besoins, être montée à gauche ou à droite de la butée parallèle (9).

Lors du sciage, les pièces peuvent se coincer entre la butée parallèle et la lame de scie, elle peuvent être happées par la lame de scie qui remonte et être éjectées.

C'est pourquoi il est indispensable de régler la butée parallèle additionnelle de telle sorte que sa fin de course s'arrête entre la dent la plus en avant de la lame et le bord avant du couteau diviseur.

- Pour cela, desserrez tous les écrous à oreilles du set de fixation (48) et déplacez la butée parallèle additionnelle comme souhaité.
- Resserrez les écrous à oreilles.

Mise en marche

- ▶ **Tenez compte de la tension secteur !** La tension du secteur doit correspondre aux indications se trouvant sur la plaque signalétique de l'outil électroportatif.

Mise en marche (voir figure F1)

- Rabattez le couvercle de protection (19) vers le haut.
- Pour la mise en service, appuyez sur la touche Marche verte (25).
- Laissez tomber le couvercle de protection (19) pour qu'il se rabatte à nouveau vers le bas.

Arrêt (voir figure F2)

- Appuyez sur le couvercle de protection (19).

Protection contre les surcharges

L'outil électroportatif est équipé d'une protection contre les surcharges. Si l'outil électroportatif est utilisé de manière

conforme, tout risque de surcharge est exclu. Dans le cas d'une trop forte sollicitation, l'électronique arrête l'outil électroportatif.

Pour remettre en marche l'outil électroportatif, effectuez les étapes suivantes :

- Laissez refroidir l'outil électroportatif au moins 10 minutes.
- Appuyez sur la touche Redémarrage (26) puis remettez en marche l'outil électroportatif.

Panne de courant

L'interrupteur Marche/Arrêt est un interrupteur à tension nulle qui évite un redémarrage de l'outil électroportatif après une interruption de courant (par ex. un retrait de la fiche de secteur pendant la mise en service).

Pour remettre l'outil électroportatif en marche, appuyez à nouveau sur la touche Marche verte (25).

Instructions d'utilisation

Indications générales pour le sciage

- ▶ **Pour toutes les coupes, assurez-vous d'abord que la lame de scie ne peut, dans aucun cas, toucher les bûtes ou d'autres parties de l'outil électroportatif.**
- ▶ **N'utilisez l'outil électroportatif pour réaliser des rainures ou des feuillures qu'avec un dispositif de protection approprié (par ex. capot de protection type tunnel, peigne presseur).**
- ▶ **N'utilisez pas l'outil électroportatif pour réaliser des rainures non traversantes (c'est-à-dire qui ne vont pas jusqu'au bout de la pièce).**

Protégez la lame de scie contre les chocs et les coups. N'exposez pas la lame de scie à une pression latérale.

Le couteau diviseur doit coïncider avec la lame de scie pour éviter que la pièce ne se coince.

Ne sciez pas des pièces déformées. Le côté de la pièce qui va être appliqué contre la butée parallèle doit toujours être droit.

Conservez toujours le poussoir de sécurité sur l'outil électroportatif.

Position de l'utilisateur (voir figure G)

- ▶ **Ne jamais se tenir dans l'alignement direct de la lame.** Toujours se tenir du même côté de la lame que le guide. Un recul peut propulser la pièce à une vitesse rapide vers quiconque se trouvant devant et dans l'alignement de la lame.

- Maintenez les mains, doigts ou bras éloignés de la lame de scie en rotation.

Respectez les indications suivantes :

- Tenez la pièce des deux mains et appuyez-la fermement sur la table de sciage.
- Pour le sciage de pièces étroites et pour la réalisation de coupes biaisées, utilisez toujours le poussoir de sécurité (15) fourni et la butée parallèle supplémentaire (47).

Dimensions maximales de la pièce

Angle d'inclinaison (pour coupes biaisées)	Hauteur maxi de la pièce [mm]
0°	80
45°	55

Sciage**Sciage de coupes droites**

- Réglez la butée parallèle (9) à la profondeur de coupe souhaitée.
- Posez la pièce sur la table de sciage devant le capot de protection (6).
- Soulevez ou abaissez la lame de scie à l'aide de la manivelle (17) jusqu'à ce que les dents supérieures de la lame de scie (28) soient positionnées env. 3–6 mm au-dessus de la pièce.
- Mettez l'outil électroportatif en marche.
- Sciez la pièce avec une avance régulière.
Si vous exercez une pression trop importante, les dents de la lame risquent de surchauffer et la pièce risque de subir des dommages.
- Arrêtez l'outil électroportatif et attendez l'immobilisation complète de la lame de scie.

Réalisation de coupes biaisées

- Réglez l'angle d'inclinaison souhaité.
Lorsque la lame est inclinée vers la gauche, la butée parallèle (9) doit se trouver à droite de la lame.
- Effectuez les étapes de travail suivantes : (voir « Sciage de coupes droites », Page 35)

Réalisation de coupes d'onglet dans le plan horizontal (voir figure H)

- Réglez l'angle d'onglet souhaité sur la butée angulaire (3).
- Appliquez la pièce contre le rail profilé (50).
Le profil ne doit pas se trouver dans la ligne de coupe.
Desserrez dans ce cas-là les écrous à oreilles (51) et déplacez le rail profilé.
- Soulevez ou abaissez la lame de scie à l'aide de la manivelle (17) jusqu'à ce que les dents supérieures de la lame de scie (28) se trouvent env. 3 à 6 mm au-dessus de la pièce.
- Mettez l'outil électroportatif en marche.
- Poussez la pièce contre le rail profilé (50) avec une main. Placez l'autre main sur la poignée de blocage (60) et glissez lentement la butée angulaire vers l'avant dans la rainure de guidage (3).
- Arrêtez l'outil électroportatif et attendez l'immobilisation complète de la lame de scie.

Contrôle et correction des réglages de base

Pour pouvoir réaliser des coupes précises, il est nécessaire après une utilisation intensive de contrôler et, le cas échéant, de corriger les réglages de base de l'outil électroportatif.

Pour ce faire, il faut de l'expérience et des outils spéciaux.

Il est conseillé de confier ce travail à un centre de service après-vente Bosch agréé. Il effectuera ce travail rapidement et de façon fiable.

Réglage des butées pour angles d'inclinaison standard de 0°/45°

- Placez l'outil électroportatif dans la position de travail.
- Réglez un angle d'inclinaison de 0°.

Contrôle (voir figure I1)

- Réglez un rapporteur d'angle sur 90° et positionnez-le sur la table de sciage (4).

La branche du rapporteur doit affleurer avec la lame de scie (28) sur toute sa longueur.

Réglage (voir figure I2)

- Desserrez la vis (64). La butée de 0° (24) peut ainsi être déplacée.
- Desserrez le levier de blocage (16).
- Poussez le volant (18) contre la butée de 0° jusqu'à ce que la branche du rapporteur affleure avec la lame de scie sur toute sa longueur.
- Maintenez le volant dans cette position et resserrez le levier de blocage (16).
- Resserrez la vis (64).

Si l'indicateur d'angle (59) ne coïncide pas avec le repère 0° de l'échelle graduée (23), desserrez la vis (65) à l'aide d'un tournevis cruciforme du commerce et faites coïncider l'indicateur d'angle avec le repère 0°.

Répétez les étapes de travail mentionnées ci-dessus de la même manière pour l'angle d'inclinaison de 45° (desserrage de la vis (66) ; déplacement de la butée de 45° (22)). L'indicateur d'angle (59) ne doit pas être déréglé pendant cette procédure.

Parallélisme de la lame de scie par rapport aux rainures de guidage de la butée angulaire (voir figure J)

- Placez l'outil électroportatif dans la position de travail.

Contrôle

- À l'aide d'un crayon, marquez la première dent de lame gauche visible à l'arrière au-dessus du pare-éclats.
- Réglez le rapporteur d'angle sur 90° et placez-le sur le bord de la rainure de guidage (5).
- Déplacez la branche du rapporteur jusqu'à ce qu'il touche la dent marquée, puis notez la distance entre lame de scie et rainure de guidage.
- Tournez la lame de scie jusqu'à ce que la dent marquée se situe à l'avant au-dessus du pare-éclats.
- Déplacez le rapporteur d'angle le long de la rainure de guidage jusqu'à la dent marquée.
- Mesurez à nouveau la distance entre la lame de scie et la rainure de guidage.

Les deux distances mesurées doivent être identiques.

Réglage

- Desserrez la vis à six pans creux (67) à l'avant de la table de scie et les vis à six pans creux (68) à l'arrière de la table de sciage à l'aide d'une clé mâle pour vis à six pans creux.

- Déplacez avec précaution la lame de scie jusqu'à ce qu'elle soit parallèle à la rainure de guidage (5).
- Resserrez toutes les vis (67) et (68).

Réglage de l'indicateur de distance de la table de sciage (voir figure K)

- Positionnez la butée parallèle à droite de la lame de scie. Déplacez la butée parallèle jusqu'à ce que le marquage dans la loupe (62) sur l'échelle graduée inférieure affiche 28 cm. Pour le blocage, poussez le bouton de serrage (43) à nouveau vers le bas.
- Tirez le bouton de serrage (20) à fond vers le haut et tirez la rallonge de table de sciage (10) vers l'extérieur jusqu'en butée.

Contrôle

L'indicateur de distance (63) doit afficher sur l'échelle graduée (2) la même valeur que le marquage de la loupe (62) sur l'échelle graduée (1).

Réglage

- Tirez la rallonge de table de sciage (10) vers l'extérieur jusqu'en butée.
- Desserrez la vis (69) à l'aide d'un tournevis cruciforme et alignez l'indicateur de distance (63) le long du repère cm 28 de l'échelle graduée supérieure (1).

Réglage du parallélisme de la butée parallèle (voir figure L)

- Placez l'outil électroportatif dans la position de travail.
- Retirez le blocage antirecul (7) et rabattez le capot de protection (6) vers l'arrière.
- Desserrez le bouton de serrage (43) de la butée parallèle et déplacez-la jusqu'à ce qu'elle touche la lame de scie.

Contrôle

La butée parallèle (9) doit être en contact avec la lame de scie sur toute sa longueur.

Réglage

- Desserrez les vis à six pans creux (70) avec une clé mâle pour vis à six pans creux.
- Déplacez avec précaution la butée parallèle (9) jusqu'à ce qu'elle soit en contact avec la lame de scie sur toute sa longueur.
- Maintenez la butée parallèle dans cette position et repoussez le bouton de serrage (43) vers le bas.
- Resserrez les vis à six pans creux (70).

Réglage de la loupe de la butée parallèle (voir figure L)

- Placez l'outil électroportatif dans la position de travail.
- Retirez le blocage antirecul (7) et rabattez le capot de protection (6) vers l'arrière.
- Déplacez la butée parallèle (9) à partir de la droite jusqu'à ce qu'elle touche la lame de scie.

Contrôle

Le marquage de la loupe (62) doit être aligné avec le repère 0 mm de l'échelle graduée (1).

Réglage

- Desserrez la vis (71) à l'aide d'un tournevis cruciforme et alignez le marquage le long du repère 0 mm.

Rangement et transport

Rangement des éléments amovibles de l'outil (voir figures M – N)

Pour le rangement, il est possible de fixer en toute sécurité certains éléments sur l'outil électroportatif.

- Retirez la butée parallèle additionnelle (47) de la butée parallèle (9).
- Placez tous les éléments retirés dans leurs supports / logements de rangement dédiés (voir tableau suivant).

Figure	Élément d'équipement	Support / logement de rangement
M	Clé polygonale (35)	L'insérer dans le logement (33)
M	Clé à ergots/clé plate (36)	L'insérer dans le logement (33)
M	Blocage antirecul (7)	L'insérer dans le logement (33)
M	Butée angulaire (3) avec rail profilé (50)	Les insérer dans les attaches du logement (29)
N	Butée parallèle (9) avec butée parallèle additionnelle (47) montée	Les insérer dans le logement (12)
N	Poussoir de sécurité (15)	L'insérer dans le logement (21)

Entretien et Service après-vente

Nettoyage et entretien

- ▶ **Débranchez le câble d'alimentation de la prise avant d'effectuer des travaux quels qu'il soient sur l'outil électroportatif.**
- ▶ **Tenez toujours propres l'outil électroportatif ainsi que les fentes de ventilation afin d'obtenir un travail impeccable et sûr.**

Dans le cas où il s'avère nécessaire de remplacer le câble d'alimentation, confiez le remplacement à **Bosch** ou une station de Service Après-Vente agréée pour outillage **Bosch** afin de ne pas compromettre la sécurité.

Nettoyage

Après chaque opération de travail, enlevez les poussières et les copeaux à l'aide d'un pinceau ou en soufflant avec de l'air comprimé.

Lubrification de l'outil électroportatif

Lubrifiant :

Huile moteur SAE 10/SAE 20

- Si nécessaire, lubrifiez l'outil électroportatif aux endroits indiqués.



Il est conseillé de confier ce travail à un centre de service après-vente Bosch agréé. Il effectuera ce travail rapidement et de façon fiable.

Éliminez les lubrifiants, graisses et produits de nettoyage en respectant les dispositions en matière de protection de l'environnement. Respectez la législation en vigueur.

Mesures visant à réduire le niveau sonore

Mesures prises par le fabricant :

- Démarrage progressif
- Fourniture avec une lame de scie spécialement conçue pour une réduction du niveau sonore

Mesures prises par l'utilisateur :

- Montage permettant une réduction des vibrations sur une surface de travail stable
- Utilisation de lames de scie avec fonctions permettant de réduire le niveau sonore
- Nettoyage régulier de la lame de scie et de l'outil électroportatif

Accessoires

	Référence
Butée angulaire	2 610 015 508
Poussoir de sécurité	1 600 A02 2D7
Lames de scie pour bois, bois plaqués, panneaux de lambris et liteaux	Référence
Lame 254 x 25,4 mm, 40 dents	2 608 640 901
Lame 254 x 25,4 mm, 60 dents	2 608 640 902

Service après-vente et conseil utilisateurs

Notre Service après-vente répond à vos questions concernant la réparation et l'entretien de votre produit et les pièces de rechange. Vous trouverez des vues éclatées et des informations sur les pièces de rechange sur le site :

www.bosch-pt.com

L'équipe de conseil utilisateurs Bosch se tient à votre disposition pour répondre à vos questions concernant nos produits et leurs accessoires.

Pour toute demande de renseignement ou toute commande de pièces de rechange, précisez impérativement la référence à 10 chiffres figurant sur l'étiquette signalétique du produit.

Maroc

Robert Bosch Morocco SARL
53, Rue Lieutenant Mahroud Mohamed
20300 Casablanca
Tel.: +212 5 29 31 43 27
E-Mail : sav.outillage@ma.bosch.com

Vous trouverez d'autres adresses du service après-vente sous :

www.bosch-pt.com/serviceaddresses

Élimination des déchets

Les outils électroportatifs, ainsi que leurs accessoires et emballages, doivent pouvoir suivre chacun une voie de recyclage appropriée.



Ne jetez pas les outils électroportatifs avec les ordures ménagères !

Português

Instruções de segurança

Indicações gerais de advertência para ferramentas elétricas

⚠ AVISO

Devem ser lidas todas as indicações de segurança,

instruções, ilustrações e especificações desta ferramenta eléctrica. O desrespeito das instruções apresentadas abaixo poderá resultar em choque eléctrico, incêndio e/ou ferimentos graves.

Guarde bem todas as advertências e instruções para futura referência.

O termo "ferramenta eléctrica" utilizado a seguir nas indicações de advertência, refere-se a ferramentas eléctricas operadas com corrente de rede (com cabo de rede) e a ferramentas eléctricas operadas com acumulador (sem cabo de rede).

Segurança da área de trabalho

- ▶ **Mantenha a sua área de trabalho sempre limpa e bem iluminada.** Desordem ou áreas de trabalho insuficientemente iluminadas podem levar a acidentes.
- ▶ **Não trabalhar com a ferramenta eléctrica em áreas com risco de explosão, nas quais se encontrem líquidos, gases ou pós inflamáveis.** Ferramentas eléctricas produzem faíscas, que podem inflamar pós ou vapores.
- ▶ **Manter crianças e outras pessoas afastadas da ferramenta eléctrica durante a utilização.** No caso de distração é possível que perca o controlo sobre o aparelho.

Segurança eléctrica

- ▶ **A ficha de conexão da ferramenta eléctrica deve caber na tomada. A ficha não deve ser modificada de maneira alguma. Não utilizar uma ficha de adaptação junto com ferramentas eléctricas protegidas por ligação à terra.** Fichas não modificadas e tomadas apropriadas reduzem o risco de um choque eléctrico.
- ▶ **Evitar que o corpo possa entrar em contacto com superfícies ligadas à terra, como tubos, aquecimentos, fogões e frigoríficos.** Há um risco

elevado devido a choque eléctrico, se o corpo estiver ligado à terra.

- ▶ **Manter o aparelho afastado de chuva ou humidade.** A infiltração de água numa ferramenta eléctrica aumenta o risco de choque eléctrico.
- ▶ **Não deverá utilizar o cabo para outras finalidades. Nunca utilizar o cabo para transportar a ferramenta eléctrica, para pendurá-la, nem para puxar a ficha da tomada. Manter o cabo afastado do calor, do óleo, de arestas afiadas ou de peças em movimento.** Cabos danificados ou emaranhados aumentam o risco de um choque eléctrico.
- ▶ **Se trabalhar com uma ferramenta eléctrica ao ar livre, só deverá utilizar cabos de extensão apropriados para áreas exteriores.** A utilização de um cabo de extensão apropriado para áreas exteriores reduz o risco de um choque eléctrico.
- ▶ **Se não for possível evitar o funcionamento da ferramenta eléctrica em áreas húmidas, deverá ser utilizado um disjuntor de corrente de avaria.** A utilização de um disjuntor de corrente de avaria reduz o risco de um choque eléctrico.

Segurança de pessoas

- ▶ **Esteja atento, observe o que está a fazer e tenha prudência ao trabalhar com a ferramenta eléctrica. Não utilizar uma ferramenta eléctrica quando estiver fatigado ou sob a influência de drogas, álcool ou medicamentos.** Um momento de descuido ao utilizar a ferramenta eléctrica, pode levar a lesões graves.
- ▶ **Utilizar equipamento de protecção individual. Utilizar sempre óculos de protecção.** A utilização de equipamento de protecção pessoal, como máscara de protecção contra pó, sapatos de segurança antiderrapantes, capacete de segurança ou protecção auricular, de acordo com o tipo e aplicação da ferramenta eléctrica, reduz o risco de lesões.
- ▶ **Evitar uma colocação em funcionamento involuntária. Assegure-se de que a ferramenta eléctrica esteja desligada, antes de conectá-la à alimentação de rede e/ou ao acumulador, antes de levantá-la ou de transportá-la.** Se tiver o dedo no interruptor ao transportar a ferramenta eléctrica ou se o aparelho for conectado à alimentação de rede enquanto estiver ligado, poderão ocorrer acidentes.
- ▶ **Remover ferramentas de ajuste ou chaves de boca antes de ligar a ferramenta eléctrica.** Uma ferramenta ou chave que se encontre numa parte do aparelho em movimento pode levar a lesões.
- ▶ **Evite uma posição anormal. Mantenha uma posição firme e mantenha sempre o equilíbrio.** Desta forma é mais fácil controlar a ferramenta eléctrica em situações inesperadas.
- ▶ **Usar roupa apropriada. Não usar roupa larga nem jóias. Mantenha os cabelos e roupas afastados de peças em movimento.** Roupas frouxas, cabelos longos ou jóias podem ser agarrados por peças em movimento.

- ▶ **Se for possível montar dispositivos de aspiração ou de recolha, assegure-se de que estejam conectados e utilizados correctamente.** A utilização de uma aspiração de pó pode reduzir o perigo devido ao pó.
- ▶ **Não deixe que a familiaridade resultante de uma utilização frequente de ferramentas permita que você se torne complacente e ignore os princípios de segurança da ferramenta.** Uma acção descuidada pode causar ferimentos graves numa fracção de segundo.

Utilização e manuseio cuidadoso de ferramentas eléctricas

- ▶ **Não sobrecarregue a ferramenta eléctrica. Utilize a ferramenta eléctrica apropriada para o seu trabalho.** É melhor e mais seguro trabalhar com a ferramenta eléctrica apropriada na área de potência indicada.
- ▶ **Não utilizar uma ferramenta eléctrica com um interruptor defeituoso.** Uma ferramenta eléctrica que não pode mais ser ligada nem desligada, é perigosa e deve ser reparada.
- ▶ **Puxar a ficha da tomada e/ou remover o acumulador, se amovível, antes de executar ajustes na ferramenta eléctrica, de substituir acessórios ou de guardar as ferramentas eléctricas.** Esta medida de segurança evita o arranque involuntário da ferramenta eléctrica.
- ▶ **Guardar ferramentas eléctricas não utilizadas fora do alcance de crianças e não permitir que as pessoas que não estejam familiarizadas com o aparelho ou que não tenham lido estas instruções utilizem o aparelho.** Ferramentas eléctricas são perigosas se forem utilizadas por pessoas inexperientes.
- ▶ **Tratar a ferramenta eléctrica e os acessórios com cuidado. Controlar se as partes móveis do aparelho funcionam perfeitamente e não emperram, e se há peças quebradas ou danificadas que possam prejudicar o funcionamento da ferramenta eléctrica. Permitir que peças danificadas sejam reparadas antes da utilização.** Muitos acidentes têm como causa, a manutenção insuficiente de ferramentas eléctricas.
- ▶ **Manter as ferramentas de corte afiadas e limpas.** Ferramentas de corte cuidadosamente tratadas e com cantos de corte afiados emperram com menos frequência e podem ser conduzidas com maior facilidade.
- ▶ **Utilizar a ferramenta eléctrica, acessórios, ferramentas de aplicação, etc. conforme estas instruções. Considerar as condições de trabalho e a tarefa a ser executada.** A utilização de ferramentas eléctricas para outras tarefas a não ser as aplicações previstas, pode levar a situações perigosas.
- ▶ **Mantenha os punhos e as superfícies de agarrar secas, limpas e livres de óleo e massa consistente.** Punhos e superfícies de agarrar escorregadias não permitem o manuseio e controle seguros da ferramenta em situações inesperadas.

Serviço

- ▶ **Só permita que o seu aparelho seja reparado por pessoal especializado e qualificado e só com peças de**


reposição originais. Desta forma é assegurado o funcionamento seguro do aparelho.

Instruções de segurança para serras circulares de mesa

Indicações relacionadas com as proteções

- ▶ **Mantenha as proteções no devido lugar. As proteções devem estar em perfeitas condições de funcionamento e devidamente montadas.** Uma proteção que esteja solta, danificada ou que não esteja a funcionar corretamente deverá ser reparada ou substituída.
- ▶ **Utilize sempre a proteção do disco de serra, a cunha abridora e o dispositivo contra o efeito de coice em todas as operações de corte completo.** Nas operações de corte completo nas quais o disco de serra corta completamente através da espessura da peça de trabalho, a proteção e outros dispositivos de segurança ajudam a reduzir o risco de ferimentos.
- ▶ **Volte a colocar o sistema de proteção imediatamente após a conclusão de uma operação (tal como a ensabladura) que exija a remoção da proteção, da cunha abridora e/ou do dispositivo contra o efeito de coice.** A proteção, a cunha abridora e o dispositivo contra o efeito de coice ajudam a reduzir o risco de ferimentos.
- ▶ **Certifique-se de que o disco de serra não está em contacto com a proteção, com a cunha abridora ou com a peça de trabalho antes de ligar o interruptor.** O contacto inadvertido destes itens com o disco de serra pode provocar uma situação de risco.
- ▶ **Ajuste a cunha abridora tal como descrito neste manual de instruções.** O espaçamento, posicionamento e alinhamento incorretos pode tornar a cunha abridora ineficaz na redução da probabilidade do efeito de coice.
- ▶ **Para que a cunha abridora e o dispositivo contra o efeito de coice funcionem devidamente, estes têm de ser engatados na peça de trabalho.** A cunha abridora e o dispositivo contra o efeito de coice são ineficazes ao cortar peças de trabalho que são demasiado curtas para engatar na cunha abridora e no dispositivo contra o efeito de coice. Sob estas condições, o efeito de coice não poderá ser evitado pela cunha abridora e pelo dispositivo contra o efeito de coice.
- ▶ **Utilize o disco de serra apropriado para a cunha abridora.** Para que a cunha abridora funcione devidamente, o diâmetro do disco de serra tem de se adaptar à cunha abridora apropriada e o corpo do disco de serra tem de ser mais fino do que a espessura da cunha abridora e a largura de corte do disco de serra tem de ser mais ampla do que a espessura da cunha abridora.

Indicações relacionadas com os procedimentos de corte

- ▶  **PERIGO: Nunca coloque os dedos ou as mãos nas proximidades ou em linha com o disco de serra.** Um momento de desatenção ou um deslizamento pode fazer com que a sua mão avance na direção do disco de serra e resultar em ferimentos pessoais graves.
- ▶ **Faça avançar a peça de trabalho para o disco de serra apenas contra o sentido de rotação.** Se fizer avançar a peça de trabalho no mesmo sentido que o disco de serra está a rodar acima da mesa, pode fazer com que a peça de trabalho e a sua mão sejam puxados na direção do disco de serra.
- ▶ **Nunca utilize o calibre de meia-esquadria para fazer avançar a peça de trabalho ao efetuar cortes longitudinais e não utilize a guia de corte como batente longitudinal ao efetuar cortes transversais com o calibre de meia-esquadria.** Ao guiar a peça de trabalho com a guia de corte e o calibre de meia-esquadria em simultâneo aumenta a probabilidade de o disco de serra bloquear e produzir o efeito de coice.
- ▶ **Ao efetuar cortes longitudinais, aplique sempre a força de avanço da peça de trabalho entre a guia de corte e o disco de serra. Utilize um suporte para empurrar quando a distância entre a guia de corte e o disco de serra for inferior a 150 mm e utilize um bloco para empurrar quando a distância for inferior a 50 mm.** Os dispositivos de "auxílio ao trabalho" mantêm as suas mãos a uma distância segura do disco de serra.
- ▶ **Utilize apenas o suporte para empurrar fornecido pelo fabricante ou fabricado de acordo com as instruções.** Este suporte para empurrar garante uma distância suficiente da mão em relação ao disco de serra.
- ▶ **Nunca utilize um suporte para empurrar danificado ou cortado.** Um suporte para empurrar danificado pode partir-se e fazer com que a sua mão deslize para o disco de serra.
- ▶ **Não execute qualquer operação à "mão livre". Utilize sempre a guia de corte ou o calibre de meia-esquadria para posicionar e guiar a peça de trabalho.** À "mão livre" significa usar as suas mãos para suportar ou guiar a peça de trabalho, em vez de uma guia de corte ou calibre de meia-esquadria. O corte à mão livre resulta em desalinhamentos, bloqueios e efeitos de coice.
- ▶ **Nunca coloque as suas mãos nas proximidades ou acima de um disco de serra em rotação.** O manuseamento da peça de trabalho pode resultar num contacto acidental com o disco de serra em movimento.
- ▶ **Providencie um suporte auxiliar da peça de trabalho nas partes posterior e/ou laterais da mesa da serra para peças de trabalho compridas e/ou largas para as manter niveladas.** Uma peça de trabalho comprida e/ou larga tem uma tendência para rodar na extremidade da mesa, causando perda de controlo, bloqueio e efeito de coice no disco de serra.
- ▶ **Faça avançar a peça de trabalho com um ritmo uniforme. Não dobre nem torça a peça de trabalho. Se ocorrer um encravamento, desligue a ferramenta imediatamente, desligue a ferramenta da tomada e, a seguir, elimine o encravamento.** O encravamento do disco de serra pela peça de trabalho pode provocar o efeito de coice ou parar o motor.
- ▶ **Não retire os pedaços do material cortado enquanto a serra estiver em funcionamento.** O material pode ficar

preso entre a guia de corte ou o interior da proteção e o disco de serra, puxando os dedos para o disco de serra. Antes de retirar o material, desligue a serra e espere até que o disco de serra pare.

- ▶ **Ao efetuar cortes longitudinais em peças de trabalho com uma espessura inferior a 2 mm, utilize uma guia de corte auxiliar em contacto com a superfície superior da mesa.** Uma peça de trabalho fina pode ficar presa sob a guia de corte e produzir um efeito de coice.

Causas do efeito de coice e indicações relacionadas

O efeito de coice é uma reação súbita da peça de trabalho devido a um disco de serra entalado ou bloqueado ou a uma linha de corte desalinhada na peça de trabalho em relação ao disco de serra ou quando uma parte da peça de trabalho bloqueia entre o disco de serra e a guia de corte ou outro objeto fixo.

Muito frequentemente, durante o efeito de coice, a peça de trabalho é levantada da mesa a partir da parte posterior do disco de serra e é projetada na direção do operador.

O efeito de coice é o resultado de uma utilização abusiva e/ou condições ou procedimentos incorretos de utilização da serra e pode ser evitado tomando as precauções indicadas abaixo.

- ▶ **Nunca se coloque diretamente em linha com o disco de serra. Posicione sempre o seu corpo do mesmo lado do disco de serra no qual se encontra a guia de corte.** O efeito de coice pode projetar a peça de trabalho a alta velocidade na direção de qualquer pessoa que se encontre à frente e em linha com o disco de serra.
- ▶ **Nunca coloque as mãos por cima ou atrás do disco de serra para puxar ou apoiar a peça de trabalho.** Poderá ocorrer um contacto acidental com o disco de serra ou o efeito de coice poderá arrastar os seus dedos para o disco de serra.
- ▶ **Nunca segure nem pressione a peça de trabalho que está a ser cortada contra o disco de serra em rotação.** Se pressionar a peça de trabalho que está a ser cortada contra o disco de serra, irá criar uma condição de bloqueio e um efeito de coice.
- ▶ **Alinhe a guia de corte de forma a que esta fique paralela com o disco de serra.** Uma guia de corte mal alinhada irá apertar a peça de trabalho contra o disco de serra e criar um efeito de coice.
- ▶ **Utilize uma "guia com dedos" para guiar a peça de trabalho contra a mesa e a guia de corte ao realizar cortes parciais tais como ensabladura.** Uma "guia com dedos" ajuda a controlar a peça de trabalho na eventualidade de um efeito de coice.
- ▶ **Apoie painéis grandes para reduzir o risco de entalamento e o efeito de coice do disco de serra.** Os painéis grandes tendem a abater sob o seu próprio peso. O(s) apoio(s) deve(m) ser colocado(s) sob todas as partes do painel suspensas a partir da superfície superior da mesa.
- ▶ **Tenha especial cuidado ao cortar uma peça de trabalho que está torcida, entrançada, deformada ou**

que não possui uma aresta reta para que possa ser guiada com um calibre de meia-esquadria ou ao longo da guia de corte. Uma peça de trabalho deformada, entrançada ou torcida é instável e provoca o desalinhamento do corte com o disco de serra e, por conseguinte, o bloqueio e efeito de coice.

- ▶ **Nunca corte mais do que uma peça de trabalho, empilhada na vertical ou horizontal.** O disco de serra pode engatar em uma ou mais peças e provocar o efeito de coice.
- ▶ **Quando reiniciar a serra com o disco de serra na peça, centre o disco de serra no corte para que os dentes da serra não fiquem engatados no material.** Se o disco de serra bloquear, pode levantar a peça de trabalho e provocar um efeito de coice quando a serra for reiniciada.
- ▶ **Mantenha os discos de serra limpos, afiados e com orientação suficiente. Nunca utilize discos de serra deformados ou discos de serra com dentes rachados ou partidos.** Os discos de serra afiados e devidamente orientados minimizam o bloqueio, a paragem e o efeito de coice.

Indicações relacionadas com o procedimento operacional da serra circular de mesa

- ▶ **Desligue a serra circular de mesa e desligue o cabo de alimentação ao remover o adaptador da mesa, ao substituir o disco de serra ou ao efetuar ajustes na proteção da cunha abridora, no dispositivo contra o efeito de coice ou na proteção do disco de serra, e quando a máquina é deixada sem supervisão.** As medidas preventivas evitarão os acidentes.
- ▶ **Nunca deixe a serra circular de mesa a funcionar sem supervisão. Desligue-a e não abandone a ferramenta até esta parar completamente.** Uma serra a funcionar sem supervisão constitui um risco sem controlo.
- ▶ **Coloque a serra circular de mesa numa área de trabalho bem iluminada e plana onde possa assegurar uma posição firme e equilibrada. Esta deverá ser instalada numa área com espaço suficiente que permita manusear facilmente a sua peça de trabalho.** As áreas apertadas e escuras e com pisos irregulares e escorregadios podem levar à ocorrência de acidentes.
- ▶ **Limpe e remova frequentemente a serradura debaixo da mesa da serra e/ou o dispositivo de recolha do pó.** A serradura acumulada é combustível e pode autoinflamar-se.
- ▶ **A serra circular de mesa deve ser fixada.** Uma serra circular de mesa que não esteja devidamente fixada pode mover-se ou tombar.
- ▶ **Remova as ferramentas, aparas de madeira, etc. da mesa antes de ligar a serra circular de mesa.** Uma distração ou um potencial bloqueio poderá ser perigoso.
- ▶ **Utilize sempre discos de serra com furos interiores de tamanho e forma corretos (diamante versus redondo).** Os discos de serra que não coincidam com o hardware de montagem da serra ficam descentrados, causando perda de controlo.

- ▶ **Nunca utilize elementos de montagem do disco de serra danificados ou incorretos, tais como flanges, anilhas, parafusos ou porcas de disco de serra.** Esses elementos de montagem foram especialmente concebidos para a sua serra, para uma operação segura e excelente rendimento.
- ▶ **Nunca suba para cima da serra circular de mesa, não a utilize como escadote.** Poderão ocorrer ferimentos graves se a ferramenta tombar ou se houver um contacto inadvertido com a ferramenta de corte.
- ▶ **Certifique-se de que o disco de serra é instalado para rodar no sentido correto. Não utilize discos de lixa, catrabuchas tipo tacho ou discos abrasivos numa serra circular de mesa.** A instalação inadequada do disco de serra ou a utilização de acessórios não recomendados pode provocar ferimentos graves.

Instruções de segurança adicionais

- ▶ **Para a montagem do disco de serra é necessário usar luvas de proteção.** Existe perigo de ferimentos.
- ▶ **Não use discos de serra de aço HSS.** Estes discos de serra podem quebrar facilmente.
- ▶ **Só utilizar discos de serra que correspondam aos dados característicos indicados nesta instrução de serviço e na ferramenta elétrica e que sejam controlados conforme EN 847-1 e respetivamente marcados.**
- ▶ **Nunca utilize a ferramenta elétrica sem o encaixe de mesa. Substitua um encaixe de mesa com defeito.** Sem um encaixe de mesa em perfeitas condições pode sofrer ferimentos no disco de serra.
- ▶ **Mantenha o local de trabalho limpo.** As misturas de materiais são muito perigosas. Pó de metal leve pode queimar ou explodir.
- ▶ **Selecione o disco de serra apropriado para o material com que deseja trabalhar.**
- ▶ **Só usar lâminas de serra recomendadas pelo fabricante desta ferramenta elétrica e apropriadas para o material com que deseja trabalhar.**
- ▶ **Desloque a peça apenas contra o disco de serra em rotação.** Caso contrário há risco de um contragolpe, se a lâmina de serra se enganchar na peça a ser trabalhada.

Símbolos

Os seguintes símbolos podem ser importantes para a utilização da sua ferramenta elétrica. Os símbolos e os seus significados devem ser memorizados. A interpretação correta dos símbolos facilita a utilização segura e aprimorada da ferramenta elétrica.

Símbolos e seus significados



Mantenha as mãos afastadas da área de corte enquanto a ferramenta elétrica estiver em funcionamento. Há perigo de ferimentos se houver contacto com o disco de serra.

Símbolos e seus significados



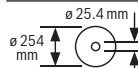
Use óculos de proteção.



Use proteção auditiva. Ruídos podem provocar a surdez.

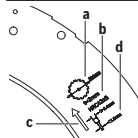


Use uma máscara de proteção contra pó.



Observe as dimensões do disco de serra. Não deve haver folga entre o diâmetro do orifício e o veio da ferramenta. Se for necessária a utilização de peças redutoras, certifique-se de que as dimensões da peça redutora são adequadas para a espessura da base do disco e ao diâmetro do furo do disco de serra, assim como o diâmetro do veio da ferramenta. Se possível, use a peça redutora fornecida junto com o disco de serra.

O diâmetro do disco de serra tem de corresponder à indicação no símbolo.



a O diâmetro do disco de serra pode ser no máximo de 254 mm.

b A espessura da cunha abridora é de 2 mm.

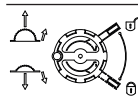
c A seta do sentido dos dentes (sentido da seta no disco de serra) tem de coincidir com o sentido da seta na cunha abridora.

d Ao substituir o disco de serra, certifique-se de que a largura de corte não é inferior a 2,4 mm e que a espessura da base do disco não é superior a 1,8 mm. Caso contrário, existe o risco que a cunha abridora prender na peça.



A espessura da cunha abridora é de 2 mm.

A altura máxima possível da peça é de 80 mm.

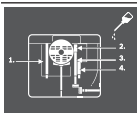


Lado esquerdo:

Indica o sentido de rotação da manivela para afundar (**posição de transporte**) e elevar (**posição de trabalho**) o disco de serra.

Símbolos e seus significados**Lado direito:**

Indica a posição da alavanca de bloqueio para fixar o disco de serra e ao ajustar o ângulo de meia-esquadria vertical (disco de serra oscilável).



Se necessário, aplique óleo na ferramenta elétrica nos locais indicados.



As ferramentas elétricas da classe de proteção II são reforçadas ou têm isolamento duplo.



Com a marcação CE, o fabricante confirma que a ferramenta elétrica está em conformidade com as diretivas da UE aplicáveis.

Descrição do produto e do serviço

Leia todas as instruções de segurança e instruções. A inobservância das instruções de segurança e das instruções pode causar choque elétrico, incêndio e/ou ferimentos graves.

Respeite as figuras na parte da frente do manual de instruções.

Utilização adequada

A ferramenta elétrica é destinada à utilização como aparelho estacionário, para cortes longitudinais e transversais, retos, em madeira dura e macia, assim como placas de aglomerado de madeira e de fibras. São possíveis ângulos de meia-esquadria horizontais de -30° a $+30^\circ$ e ângulos de meia-esquadria verticais de 0° a 45° .

Utilizando os respetivos discos de serra é possível serrar perfis de alumínio e de plástico.

Componentes ilustrados

A numeração dos componentes ilustrados refere-se à apresentação da ferramenta elétrica na página de esquemas.

- (1) Escala para distância entre o disco de serra e a guia paralela
- (2) Escala para a distância entre o disco de serra e a guia paralela com a mesa de serra aberta
- (3) Guia angular
- (4) Mesa de serra
- (5) Ranhura de guia para a guia angular
- (6) Cobertura de proteção
- (7) Bloqueio de contragolpes
- (8) Inserto de mesa
- (9) Guia paralela
- (10) Conjunto de extensão da mesa de serra
- (11) Cavidades de pega
- (12) Depósito da guia paralela
- (13) Proteção contra tombamento
- (14) Base
- (15) Pau para empurrar
- (16) Alavanca de bloqueio para ajustar o ângulo vertical de meia-esquadria
- (17) Manivela para subir e descer o disco de serra
- (18) Roda manual
- (19) Capa de segurança do interruptor de ligar/desligar
- (20) Punho de aperto do conjunto de extensão da mesa de serra
- (21) Depósito pau para empurrar
- (22) Batente para ângulo de meia-esquadria de 45° (vertical)
- (23) Escala para ângulo de meia-esquadria (vertical)
- (24) Batente para ângulo de meia-esquadria de 0° (vertical)
- (25) Tecla para ligar
- (26) Tecla de reiniciar
- (27) Cunha abridora
- (28) Disco de serra
- (29) Depósito guia angular
- (30) Suporte para o cabo
- (31) Furos para montagem na base
- (32) Furos para montagem
- (33) Depósito da ferramenta/bloqueio de contragolpes
- (34) Adaptador de aspiração
- (35) Chave anular (10 mm; 13 mm)
- (36) Chave de gancho/chave de bocas (10 mm)
- (37) Conjunto de fixação "Base"
- (38) Conjunto de fixação "Proteção contra tombamento"
- (39) Conjunto de fixação "Ferramenta elétrica"
- (40) Perno da cunha abridora
- (41) Entalhe para inserto de mesa
- (42) Botão de pressão do bloqueio de contragolpes
- (43) Punho de aperto da guia paralela
- (44) Guia em forma de V da guia paralela
- (45) Ranhura de guia em V na mesa de serra para a guia paralela
- (46) Ranhura de guia para a guia paralela
- (47) Guia paralela adicional
- (48) Conjunto de fixação "Guia paralela adicional"
- (49) Calha de guia da guia angular
- (50) Calha perfilada
- (51) Porca de orelhas da calha perfilada

- (52) Cobertura inferior do disco de serra
- (53) Parafusos de fixação da cobertura inferior do disco de serra
- (54) Orifício para os dedos do inserto de mesa
- (55) Flange de aperto
- (56) Parafuso sextavado do disco de serra
- (57) Anilha plana
- (58) Flange de admissão
- (59) Indicador de ângulo (vertical)
- (60) Manipulo de fixação para qualquer ângulo de meia-esquadria (horizontal)
- (61) Indicador de ângulo na guia angular
- (62) Lente
- (63) Indicador de distância da mesa de serra
- (64) Parafuso de fenda em cruz para ajustar o batente 0°
- (65) Parafuso para indicador de ângulo (vertical)
- (66) Parafuso de fenda em cruz para ajustar o batente 45°
- (67) Parafusos de sextavado interior (5 mm) à frente para ajustar a paralelidade do disco de serra
- (68) Parafusos de sextavado interior (5 mm) atrás para ajustar a paralelidade do disco de serra
- (69) Parafuso para o indicador de distância da mesa de serra
- (70) Parafusos de sextavado interior (5 mm) para ajustar o paralelismo da guia paralela
- (71) Parafuso para o indicador de distância da guia paralela

Dados técnicos

Serra circular de mesa		GTS 254	GTS 254
Número de produto		3 601 M45 080 3 601 M45 0L0 3 601 M45 0K0 3 601 M45 0F0	3 601 M45 0C0
Potência nominal absorvida	W	1800	1800
N.º de rotações em vazio	r.p.m.	4300	3800
Limitador da corrente de arranque		●	●
Peso conforme EPTA-Procedure 01:2014	kg	24,4	24,4
Classe de proteção		□/II	□/II
Dimensões (incluindo elementos do aparelho amovível)			
Largura x profundidade x altura	mm	690 x 620 x 1000	690 x 620 x 1000
Medidas de discos de serra apropriados			
Diâmetro do disco de serra	mm	254	254
Espessura da base do disco	mm	< 1,8	< 1,8
Mín. espessura/torção dos dentes	mm	> 2,4	> 2,4
Diâmetro do furo	mm	25,4	25,4

Dimensões máximas da peça: (ver "Máximas dimensões da peça a ser trabalhada", Página 48)

Os dados aplicam-se a uma tensão nominal [U] de 230 V. Com tensões divergentes e em versões específicas do país, estes dados podem variar.

Montagem

- **Evitar um arranque involuntário da ferramenta elétrica. A ficha de rede não deve estar conectada à alimentação elétrica durante a montagem e durante todos trabalhos na ferramenta elétrica.**

Volume de fornecimento

Antes de colocar a ferramenta elétrica em funcionamento pela primeira vez, deverá verificar se todas as peças especificadas abaixo foram fornecidas:

- Serra circular de mesa com disco de serra montado (28)
- Conjunto de fixação "Ferramenta elétrica" (39) (8 parafusos de fixação, 8 anilhas)

- Base (14)
- Conjunto de fixação "Base" (37) (16 parafusos de fixação, 16 anilhas, 16 anéis de retenção, 16 porcas)
- Proteção contra tombamento (13)
- Conjunto de fixação "Proteção contra tombamento" (38) (4 parafusos de fixação, 8 anilhas, 4 anéis de retenção, 4 porcas)
- Guia angular (3)
- Calha perfilada (50)
- Porca de orelhas "Calha perfilada" (51)
- Guia paralela (9)
- Guia paralela adicional (47)

- Conjunto de fixação "Guia paralela adicional" (48) (2 parafusos de fixação, 2 porcas de orelhas)
- Cunha abridora (27) com cobertura de proteção (6) montada
- Bloqueio de contragolpes (7)
- Chave anular (35)
- Chave de gancho/chave de bocas (36)
- Pau para empurrar (15)
- Inserto de mesa (8)

Nota: verifique se a ferramenta elétrica apresenta danos. Antes de continuar a utilizar a ferramenta elétrica, deverá controlar cuidadosamente todos os dispositivos de segurança e peças levemente danificadas e verificar se estão a funcionar corretamente. Verifique se as peças móveis funcionam perfeitamente e não emperram, ou se há peças danificadas. Todas as peças devem ser montadas corretamente e corresponder a todas as exigências, para que seja assegurado um funcionamento impecável. Dispositivos de segurança e peças danificados devem ser devidamente reparados ou substituídos por uma oficina especializada.

Montagem estacionária ou flexível

► **Para assegurar um manuseio seguro, é necessário que, antes da utilização, a ferramenta elétrica seja montada sobre uma superfície de trabalho plana e estável (p. ex. bancada de trabalho).**

Montagem com base e proteção contra tombamento (ver figuras a1 – a3)

Utilize para a montagem dos conjuntos de fixação "Base" (37), "Proteção contra tombamento" (38) e "Ferramenta elétrica" (39)

- Aparafuse a base (14). Aperte bem os parafusos.
- Aparafuse a proteção contra tombamento (13) na base.
- Coloque a ferramenta elétrica sobre a base de modo a que a proteção contra tombamento aponte para trás.
- Fixe a ferramenta elétrica na base. Para isso servem os furos laterais (31) na ferramenta elétrica, bem como os furos na base.

Montagem sem base (ver figura b)

- Fixe a ferramenta elétrica à superfície de trabalho com uma união roscada apropriada. Os furos (32) servem para esse efeito.

Montagem de componentes individuais

- Retire todas as peças fornecidas cuidadosamente das respetivas embalagens.
- Remova todo o material de embalagem da ferramenta elétrica e dos acessórios fornecidos.
- Observar que o material de embalagem por debaixo do bloco do motor seja removido.

Diretamente na carcaça estão fixos os seguintes elementos do aparelho: bloqueio de contragolpes (7), chave anular (35), chave de gancho/chave de bocas (36), guia angular (3), guia paralela (9), guia paralela adicional (47)

com conjunto de fixação (48), cobertura de proteção (6), pau para empurrar (15), lâmina de serra (28).

- Assim que necessitar um destes elementos do aparelho, retire o mesmo com cuidado do depósito de armazenamento.

Montar a cunha abridora (ver figuras c)

Nota: Se necessário, deverá limpar todas as peças a montar antes de serem posicionadas.

- Se necessário, retire o inserto de mesa (8).
- Rode a manivela (17) para a direita até ao batente, de modo a que o disco de serra (28) se encontre na posição mais alta possível sobre a mesa de serra.
- Solte o perno (40) com a chave anular (35).
- Coloque a cunha abridora (27) e empurre-a para baixo até ao batente.
- Aperte novamente o perno (40) com a chave anular (35).
- Monte o inserto de mesa (8).

Montar o inserto de mesa (ver figura d)

- Engate o inserto de mesa (8) nos entalhes traseiros (41) do compartimento da ferramenta.
- Desloque o inserto de mesa para baixo.
- Pressione o inserto de mesa até ele encaixar à frente no compartimento da ferramenta.

Montar o bloqueio de contragolpes (ver figura e)

No caso de um contragolpe, o bloqueio de contragolpes (7) impede que a peça seja projetada na direção do operador. No processo, os dentes afiados das linguetas enterram-se na superfície da peça e retêm-na.

- Prima o botão de pressão (42) do bloqueio de contragolpes (7).
Com isto os pinos de guia são recuados.
- Conduza o bloqueio de contragolpes (7) sobre a cunha abridora (27) e solte o botão de pressão (42).
- Empurre o bloqueio de contragolpes na direção da cobertura de proteção, até que o pino de guia engate no furo posterior em cima na cunha abridora.
- Verifique se o pino de guia está bem fixo no furo e se o bloqueio de contragolpes funciona sem problemas. Levante cuidadosamente as linguetas do bloqueio de contragolpes. Ao soltar, as linguetas acionadas por mola têm de ir para baixo e tocar no inserto de mesa.

Montar a guia paralela (ver figura f)

A guia paralela (9) pode ser montada à esquerda ou à direita do disco de serra.

- Solte o punho de aperto (43) da guia paralela (9). Desta forma, é aliviada a guia em V (44).
- Coloque primeiro a guia paralela com a guia em V na ranhura de guia (45) da mesa de serra. Depois, posicione a guia paralela na ranhura de guia dianteira (46) da mesa de serra.
A guia paralela pode agora ser deslocada como desejar.
- Para fixar a guia paralela pressione o punho de aperto (43) para baixo.

Montar a guia paralela adicional (ver figura g)

Para cortar peças estreitas e em ângulo de meia-esquadria vertical tem de montar a guia paralela adicional (47) na guia paralela (9).

A guia paralela adicional, poder ser montada opcionalmente à esquerda ou a direita na guia paralela (9).

Para a montagem use o conjunto de fixação "Guia paralela adicional" (48) (2 parafusos de fixação, 2 porcas de orelhas).

- Introduza os parafusos de fixação nos furos laterais na guia paralela (9).
- As cabeças dos parafusos servem de guia para a guia paralela adicional.
- Desloque a guia paralela adicional (47) sobre as cabeças dos parafusos de fixação.
- Aperte os parafusos com a ajuda das porcas de orelhas.

Montar a guia angular (ver figura h1 - h2)

- Introduza a guia (49) da guia angular (3) numa das ranhuras de guia (5) previstas para o fim da mesa de serra.

Para encostar melhor peças compridas, a guia angular pode ser prolongada através da calha perfilada (50).

- Se necessário, monte a calha perfilada com a ajuda das porcas de orelhas (51) na guia angular.

Aspiração de pó/de aparas

Pós de materiais como por exemplo, tintas que contém chumbo, alguns tipos de madeira, minerais e metais, podem ser nocivos à saúde. O contacto ou a inalação dos pós pode provocar reações alérgicas e/ou doenças nas vias respiratórias do utilizador ou das pessoas que se encontrem por perto.

Certos pós, como por exemplo pó de carvalho e faia são considerados como sendo cancerígenos, especialmente quando juntos com substâncias para o tratamento de madeiras (cromato, produtos de proteção da madeira). Material que contém asbesto só deve ser processado por pessoal especializado.

- Se possível deverá usar um dispositivo de aspiração de pó apropriado para o material.
- Assegurar uma boa ventilação do local de trabalho.
- É recomendável usar uma máscara de proteção respiratória com filtro da classe P2.

Observe as diretivas para os materiais a serem processados, vigentes no seu país.

A aspiração de pó/de aparas pode ser bloqueada por pó, aparas ou por estilhaços da peça a ser trabalhada.

- Desligue a ferramenta elétrica e retire a ficha de rede da tomada.
- Aguarde até que o disco de serra esteja completamente parado.
- Verifique a causa do bloqueio e elimine-a.

► **Evite a acumulação de pó no local de trabalho.** Pós podem entrar levemente em ignição.

- **Para evitar o perigo de incêndio ao serrar alumínio, esvazie a expulsão de aparas e não use aspiração de aparas.**

Esvaziar expulsão de aparas (ver figura i)

Para remover estilhaços da peça e aparas grandes, pode abrir a cobertura inferior do disco de serra (52).

- Desligue a ferramenta elétrica e puxar a ficha de rede da tomada.
- Aguarde até que o disco de serra esteja completamente parado.
- Vire a ferramenta elétrica para o lado.
- Solte os parafusos de fixação (53) e abra a cobertura inferior do disco de serra (52).
- Remova os estilhaços da peça e as aparas.
- Feche a tampa inferior do disco de serra e aparafuse novamente.
- Coloque a ferramenta elétrica na posição de trabalho.

Aspiração externa (ver figura j)

- Encaixe uma mangueira de aspirador adequada corretamente no adaptador de aspiração (34).

O aspirador de pó deve ser apropriado para o material a ser trabalhado.

Utilize um aspirador especial para aspirar pó que seja extremamente nocivo à saúde, cancerígeno ou seco.

Trocar o disco de serra (ver figuras k1-k4)

- **Antes de todos trabalhos na ferramenta elétrica deverá puxar a ficha de rede da tomada.**
- **Para a montagem do disco de serra é necessário usar luvas de proteção.** Existe perigo de ferimentos.
- **Só utilizar discos de serra com uma máxima velocidade admissível superior à velocidade da marcha em vazio da ferramenta elétrica.**
- **Só utilizar discos de serra que correspondam aos dados característicos indicados nesta instrução de serviço e na ferramenta elétrica e que sejam controlados conforme EN 847-1 e respetivamente marcados.**
- **Utilize apenas discos de serra recomendados pelo fabricante desta ferramenta elétrica e adequados para o material com que deseja trabalhar.** Assim evita um sobreaquecimento das pontas dos dentes de serra e o derretimento do plástico a trabalhar.
- **Não use discos de serra de aço HSS.** Estes discos de serra podem quebrar facilmente.

Desmontar o disco de serra

- Rode a manivela (17) para a direita até ao batente, para que o disco de serra (28) se encontre na posição mais alta possível sobre a mesa de serra.
- Rebata a cobertura de proteção (6) para trás.
- Levante o inserto de mesa (8) pelo orifício para os dedos (54) e retire-o do compartimento da ferramenta.

- Desaperte o parafuso sextavado (56) com a chave anular (35) para a esquerda, mantendo-o fixo com a chave de gancho (36) no flange de aperto (55).
- Retire a anilha plana (57) e o flange de aperto (55).
- Retire o disco de serra (28).

Montar o disco de serra

Se necessário, deverá limpar todas as peças antes de serem montadas.

- Coloque o novo disco de serra no flange de admissão (58) do veio da ferramenta.

Nota: Não use discos de serra demasiado pequenos. A folga radial entre disco de serra e cunha abridora só pode ser de no máximo 3–8 mm.

- ▶ **Durante a montagem, deverá observar que o sentido de corte dos dentes (sentido da seta sobre o disco de serra) coincida com o sentido da seta sobre a cobertura de proteção!**
- Coloque o flange de aperto (55), a anilha plana (57) e o parafuso sextavado (56).
- Aperte o parafuso sextavado (56) com a chave anular (35) para a direita, mantendo-o fixo com a chave de gancho (36) no flange de aperto.
- Volte a colocar o inserto de mesa (8).
- Rebata a cobertura de proteção (6) para a frente.

Funcionamento

- ▶ **Antes de todos trabalhos na ferramenta elétrica deverá puxar a ficha de rede da tomada.**

Posição de transporte e de trabalho do disco de serra

Posição de transporte

- Remova a cobertura de proteção (6), retire o inserto de mesa (8) e posicione a cunha abridora (27) na posição mais baixa. Volte a colocar o inserto de mesa (8).
- Rode a manivela (17) para a esquerda, até que os dentes do disco de serra (28) se encontrem por baixo da mesa de serra (4).
- Empurre o conjunto de extensão da mesa de serra (10) totalmente para dentro.
Pressione o punho de aperto (20) para baixo. Desta forma, o conjunto de extensão da mesa de serra está fixo.

Posição de trabalho

- Posicione a cunha abridora (27) na posição mais alta precisamente ao centro do disco de serra, introduza o inserto de mesa (8) e monte a cobertura de proteção (6).
- Rode a manivela (17) para a direita, até que os dentes superiores do disco de serra (28) se encontrem a aprox. 3–6 mm por cima da peça.

Ajustar ângulos de meia-esquadria verticais e horizontais

Após uso intensivo, deverá controlar, e se necessário corrigir, os ajustes básicos da ferramenta elétrica, para assegurar cortes precisos.

Ajustar ângulos de meia-esquadria verticais (disco de serra) (ver figura A)

O ângulo de meia-esquadria vertical pode ser ajustado numa faixa de 0° a 45°.

- Solte a alavanca com retenção (16) para a esquerda.

Nota: Ao soltar a alavanca com retenção, o disco de serra oscila, devido à gravidade, para uma posição que corresponde aproximadamente a 30°.

- Puxe ou pressione a roda manual (18) ao longo do fundo, até o indicador de ângulo (59) mostre o ângulo de meia-esquadria vertical desejado.
- Segure a roda manual nesta posição e volte a apertar a alavanca de bloqueio (16).

Para ajustar de forma rápida e precisa os ângulos padrões verticais 0° e 45° existem batentes ajustados de fábrica ((24), (22)).

Ajustar ângulos de meia-esquadria horizontais (guia angular) (ver figura B)

O ângulo de meia-esquadria horizontal pode ser ajustado numa faixa de 30° (à esquerda) até 30° (à direita).

- Solte o manípulo de fixação (60), caso este esteja apertado.
- Rode a guia angular, até o indicador de ângulo (61) exibir o ângulo de meia-esquadria desejado.
- Aperte novamente o manípulo de fixação (60).

Aumentar a mesa de serra

Apoiar ou escorar as extremidades de peças compridas e pesadas.

Conjunto de extensão da mesa de serra (ver figura C)

O conjunto de extensão da mesa de serra (10) amplia a mesa de serra (4) para a direita para no máximo 950 mm.

- Puxe o punho de aperto (20) para o conjunto de extensão da mesa de serra totalmente para cima.
- Puxe o conjunto de extensão da mesa de serra (10) para fora até ao comprimento desejado.
- Pressione o punho de aperto (20) para baixo. Desta forma, o conjunto de extensão da mesa de serra está fixo.

Ajustar a guia paralela

A guia paralela (9) pode ser montada à esquerda ou à direita do disco de serra. A marcação na lupa (62) mostra a distância ajustada da guia paralela até ao disco de serra na escala (1).

Posicione a guia paralela no lado desejado do disco de serra (ver "Montar a guia paralela (ver figura f)", Página 44).

Ajustar a guia paralela com a mesa de serra não aberta

- Solte o punho de aperto (43) da guia paralela (9).
Desloque a guia paralela, até a marcação na lupa (62) mostre a distância desejada em relação ao disco de serra. Com a mesa de serra não aberta, é válida a inscrição da escala (1).
- Para fixar, pressione o punho de aperto (43) outra vez para baixo.

Ajustar a guia paralela com a mesa de serra aberta (ver figura D)

- Posicionar a guia paralela no lado direito do disco de serra.
Desloque a guia paralela, até a marcação na lupa (62) na escala mostrar (1) 28 cm.
Para fixar, pressione o punho de aperto (43) outra vez para baixo.
- Puxe o punho de aperto (20) para o conjunto de extensão da mesa de serra totalmente para cima.
- Puxe o conjunto de extensão da mesa de serra (10) para fora, até o indicador de distância (63) exibir a distância desejada em relação ao disco de serra na escala (2).
- Pressione o punho de aperto (20) para baixo.
Desta forma, o conjunto de extensão da mesa de serra está fixo.

Ajustar a guia paralela adicional (ver figura E)

Para cortar peças estreitas e em ângulo de meia-esquadria vertical tem de montar a guia paralela adicional (47) na guia paralela (9).

A guia paralela adicional, poder ser montada opcionalmente à esquerda ou a direita na guia paralela (9).

Peças podem ser emperradas entre a guia paralela e o disco de serra, podem ser puxadas pelo disco de serra a subir e então atiradas para longe.

Portanto deverá ajustar a guia paralela adicional, de modo que a extremidade de guia termine na área entre o dente dianteiro do disco de serra e o rebordo dianteiro da cunha abridora.

- Para o efeito, solte todas as porcas de orelhas do conjunto de fixação (48) e desloque a guia paralela adicional de forma correspondente.
- Reapertar as porcas de orelhas.

Colocação em funcionamento

- ▶ **Observar a tensão de rede!** A tensão da fonte de corrente elétrica deve coincidir com os dados que constam na placa de características da ferramenta elétrica.

Ligar (ver figura F1)

- Vire a cobertura de segurança (19) para cima.
- Para a colocação em funcionamento pressione a tecla para ligar verde (25).
- Vire a cobertura de segurança (19) novamente para baixo.

Desligar (ver figura F2)

- Pressione a cobertura de segurança (19).

Proteção contra sobrecarga

A ferramenta elétrica vem equipada com uma proteção contra sobrecarga. Numa utilização correta, a ferramenta elétrica não pode ser sobrecarregada. Em caso de forte sobrecarga, o sistema eletrónico desliga a ferramenta elétrica.

Efetue os seguintes passos para voltar a colocar a ferramenta elétrica em funcionamento:

- Deixe a ferramenta elétrica arrefecer durante pelo menos 10 minutos.
- Prima a tecla de reiniciar (26) e de seguida ligue novamente a ferramenta elétrica.

Falha de corrente

O interruptor de ligar/desligar é o chamado interruptor de tensão nula, que impede o rearranque da ferramenta elétrica após uma falha e corrente (p. ex. retirar a ficha de rede durante o funcionamento).

Para colocar de seguida a ferramenta elétrica novamente a funcionar, tem de premir novamente a tecla para ligar verde (25).

Instruções de trabalho

Indicações gerais para serrar

- ▶ **Antes de todos os cortes, deverá assegurar-se de que a lâmina de serra não possa de modo algum entrar em contacto com os limitadores nem com quaisquer outras partes do aparelho.**
- ▶ **Utilize a ferramenta elétrica para ranhurar ou ensamblar apenas com o respetivo dispositivo de proteção adequado (p. ex. cobertura de proteção em túnel, pente de pressão).**
- ▶ **Não use a ferramenta elétrica para abrir ranhuras (ranhura terminada na peça).**

Proteger a lâmina de serra contra golpes e pancadas. A lâmina de serra não deve ser exposta a nenhuma pressão lateral.

A cunha abridora deve estar alinhada com a lâmina de serra, para evitar que a peça a ser trabalhada possa emperrar.

Não trabalhe peças empenadas. A peça tem de ter sempre um lado reto para encostar na guia paralela.

Guarde sempre o pau para empurrar na ferramenta elétrica.

Posição do operador (ver figura G)

- ▶ **Nunca se coloque diretamente em linha com o disco de serra. Posicione sempre o seu corpo do mesmo lado do disco de serra no qual se encontra guia de corte.** O efeito de coice pode projetar a peça de trabalho a alta velocidade na direção de qualquer pessoa que se encontre à frente e em linha com o disco de serra.
- Mantenha as mãos, os dedos e os braços afastados do disco de serra em rotação.

Observe as seguintes indicações:

- Manter a peça a ser trabalhada seguramente com ambas as mãos e premir firmemente contra a mesa de serra.
- Para peças estreitas e para cortar em ângulo de meia-esquadria vertical, utilize sempre o pau para empurrar **(15)** fornecido e a guia paralela adicional **(47)**.

Máximas dimensões da peça a ser trabalhada

Ângulo de meia-esquadria vertical	Altura máx. da peça [mm]
0°	80
45°	55

Serrar

Serrar cortes a direito

- Ajuste a guia paralela **(9)** à largura de corte desejada.
- Coloque a peça sobre a mesa de serrar em frente à cobertura de proteção **(6)**.
- Suba e desça o disco de serra através da manivela **(17)** para cima ou para baixo até que os dentes superiores do disco de serra **(28)** se encontrem a aprox. 3–6 mm por cima da peça.
- Ligue a ferramenta elétrica.
- Serrar a peça com avanço uniforme. Se exercer demasiada pressão, as pontas do disco de serra podem sobreaquecer e a peça pode ser danificada.
- Desligue a ferramenta elétrica e aguarde até o disco de serra estar completamente parado.

Serrar ângulos verticais de meia-esquadria

- Ajustar o ângulo de meia-esquadria vertical desejado do disco de serra.
Com o disco de serra inclinado para a esquerda, a guia paralela **(9)** tem de estar à direita do disco de serra.
- Siga os passos de trabalho de acordo com: (ver "Serrar cortes a direito", Página 48)

Serrar ângulos de meia-esquadria horizontais (ver figura H)

- Ajuste o ângulo de meia-esquadria horizontal desejado na guia angular **(3)**.
- Coloque a peça na calha perfilada **(50)**. O perfil não deve encontrar-se na linha de corte. Neste caso, solte as porcas de orelhas **(51)** e desloque a calha perfilada.
- Suba ou desça o disco de serra através da manivela **(17)** para cima ou para baixo até que os dentes superiores do disco de serra **(28)** se encontrem a aprox. 3–6 mm por cima da peça.
- Ligue a ferramenta elétrica.
- Com uma mão, pressione a peça contra a calha perfilada **(50)** e, com a outra mão, empurre a guia angular no manípulo de fixação **(60)** lentamente na ranhura de guia **(3)** para a frente.
- Desligue a ferramenta elétrica e aguarde até o disco de serra estar completamente parado.

Verificar e realizar os ajustes básicos

Após uso intensivo, deverá controlar, e se necessário corrigir, os ajustes básicos da ferramenta elétrica, para assegurar cortes precisos.

Para tal são necessárias experiência e ferramentas especiais.

Uma oficina de serviço pós-venda Bosch executa este trabalho de forma rápida e fiável.

Ajustar batentes para ângulo de meia-esquadria vertical 0°/45°

- Coloque a ferramenta elétrica na posição de trabalho.
- Ajuste um ângulo de meia-esquadria vertical do disco de serra de 0°.

Verificar (ver figura I1)

- Ajuste o calibre angular para 90° e coloque-o sobre a mesa de serra **(4)**.

O lado do calibre angular tem de ficar alinhado em todo o comprimento com o disco de serra **(28)**.

Ajustar (ver figura I2)

- Solte o parafuso **(64)**. Desta forma pode ser deslocado o batente 0° **(24)**.
- Solte a alavanca de bloqueio **(16)**.
- Desloque a roda manual **(18)** contra o batente 0°, até o lado do calibre angular ficar alinhado no comprimento completo com o disco de serra.
- Segure a roda manual nesta posição e volte a apertar a alavanca de bloqueio **(16)**.
- Reaperte o parafuso **(64)**.

Se, após o ajuste, o indicador de ângulo **(59)** não estiver em linha com a marca de 0° da escala **(23)**, soltar o parafuso **(65)** com uma chave de fenda em cruz convencional e alinhar o indicador de ângulo ao longo da marca de 0°.

Repita os passos de trabalho acima mencionados respetivamente para o ângulo de meia-esquadria vertical de 45° (soltar o parafuso **(66)**; deslocar o batente 45° **(22)**). O indicador de ângulo **(59)** não pode ser deslocado de novo ao fazê-lo.

Paralelismo do disco de serra em relação às ranhuras de guia da guia angular (ver figura J)

- Coloque a ferramenta elétrica na posição de trabalho.

Verificar

- Marque com um lápis o primeiro dente de serra esquerdo, que está visível atrás por cima do inserto de mesa.
- Ajuste o calibre angular para 90° e coloque-o na aresta da ranhura de guia **(5)**.
- Desloque o lado do calibre angular, até o mesmo tocar no dente de serra marcado, e leia a distância entre o disco de serra e a ranhura de guia.
- Rode o disco de serra, até o dente marcado ficar à frente por cima do inserto de mesa.
- Deslocar o calibre angular ao longo da ranhura de guia até o dente marcado da serra.
- Medir novamente a distância entre o disco de serra e a ranhura de guia.

As duas distâncias medidas devem ser idênticas.

Ajustar

- Solte os parafusos de sextavado interior (67) à frente na mesa de serra e os parafusos de sextavado interior (68) atrás na mesa de serra com uma chave sextavada interior.
- Mova lentamente o disco de serra, até o mesmo ficar paralelo à ranhura de guia (5).
- Reaperte todos os parafusos (67) e (68).

Ajustar indicador de distância da mesa de serra (ver figura K)

- Posicionar a guia paralela no lado direito do disco de serra.
Desloque a guia paralela, até a marcação na lupa (62) na escala inferior mostrar 28 cm.
Para fixar, pressione o punho de aperto (43) outra vez para baixo.
- Puxe o punho de aperto (20) totalmente para cima e puxe o conjunto de extensão da mesa de serra (10) para fora até ao batente.

Verificar

O indicador de distância (63) tem de mostrar na escala (2) o valor idêntico ao da marcação na lupa (62) da escala (1).

Ajustar

- Puxe o conjunto de extensão da mesa de serra (10) para fora até ao batente.
- Solte o parafuso (69) com uma chave de fenda em cruz e alinhe o indicador de distância (63) ao longo da marca de 28 cm da escala superior (1).

Ajustar o paralelismo da guia paralela (ver figura L)

- Coloque a ferramenta elétrica na posição de trabalho.
- Retire o bloqueio de contragolpes (7) e rebata a cobertura de proteção (6) para trás.
- Solte o punho de aperto (43) da guia paralela e desloque-o até o mesmo tocar no disco de serra.

Verificar

A guia paralela (9) tem de tocar no disco de serra em todo o seu comprimento.

Ajustar

- Solte os parafusos de sextavado interior (70) com uma chave sextavada interior.
- Mova lentamente a guia paralela (9), até a mesma tocar no disco de serra em todo o seu comprimento.
- Mantenha a guia paralela nesta posição e pressione o punho de aperto (43) novamente para baixo.
- Volte a apertar os parafusos de sextavado interior (70).

Ajustar a lupa do guia paralela (ver figura L)

- Coloque a ferramenta elétrica na posição de trabalho.
- Retire o bloqueio de contragolpes (7) e rebata a cobertura de proteção (6) para trás.
- Desloque a guia paralela (9) da direita até a mesma tocar no disco de serra.

Verificar

A marcação da lupa (62) tem de estar alinhada com a marca de 0 mm na escala (1).

Ajustar

- Solte o parafuso (71) com uma chave de fenda em cruz e alinhe a marcação ao longo da marca de 0 mm.

Arrecadação e transporte

Guardar os elementos do aparelho (ver figuras M – N)

A ferramenta elétrica permite fixar de forma segura determinados elementos do aparelho para os guardar.

- Solte a guia paralela adicional (47) da guia paralela (9).
- Coloque todas as peças soltas do aparelho nos respetivos depósitos de armazenamento na carcaça (ver a tabela seguinte).

Figura	Elemento do aparelho	Depósito de armazenamento
M	Chave anular (35)	encaixar no depósito para os acessórios (33)
M	Chave de gancho/chave de bocas (36)	encaixar no depósito para os acessórios (33)
M	Bloqueio de contragolpes (7)	encaixar no depósito para os acessórios (33)
M	Guia angular (3) com calha perfilada (50)	inserir nos suportes no depósito (29)
N	Guia paralela (9) com guia paralela adicional montada (47)	colocar no depósito para os acessórios (12)
N	Pau para empurrar (15)	encaixar no depósito para os acessórios (21)

Manutenção e assistência técnica

Manutenção e limpeza

- ▶ Antes de todos trabalhos na ferramenta elétrica deverá puxar a ficha de rede da tomada.
- ▶ Manter a ferramenta elétrica e as aberturas de ventilação sempre limpas, para trabalhar bem e de forma segura.

Se for necessário instalar um cabo de ligação, a instalação deve ser feita pela **Bosch** ou por um centro de serviço autorizado para ferramentas elétricas **Bosch**, para evitar perigos de segurança.

Limpeza

Após cada etapa de trabalho deverá remover o pó e as aparas, soprando com ar comprimido ou limpando com um pincel.

Lubrificação da ferramenta elétrica

Lubrificante:

Óleo para motores SAE 10/SAE 20

- Se necessário, aplique óleo na ferramenta elétrica nos locais indicados.



Um posto de assistência técnica da Bosch autorizado executa estes trabalhos de forma rápida e fiável.

Elimine os materiais de lubrificação e limpeza de forma ecológica. Respeite as disposições legais.

Medidas para a redução de ruídos

Medidas tomadas pelo fabricante:

- Arranque suave
- Fornecimento com um disco de serra especialmente desenvolvido para a redução de ruídos

Medidas tomadas pelo utilizador:

- Montagem com poucas vibrações, sobre uma superfície de trabalho firme
- Utilização de discos de serra com funções redutoras de ruídos
- Limpeza regular do disco de serra e da ferramenta elétrica

Acessórios

	Número de produto
Guia angular	2 610 015 508
Pau para empurrar	1 600 A02 2D7
Discos de serra para madeira e contraplacados, painéis e ripas	Número de produto
Disco de serra 254 x 25,4 mm, 40 dentes	2 608 640 901
Disco de serra 254 x 25,4 mm, 60 dentes	2 608 640 902

Serviço pós-venda e aconselhamento

O serviço pós-venda responde às suas perguntas a respeito de serviços de reparação e de manutenção do seu produto, assim como das peças sobressalentes. Desenhos explodidos e informações acerca das peças sobressalentes também em: www.bosch-pt.com

A nossa equipa de consultores Bosch esclarece com prazer todas as suas dúvidas a respeito dos nossos produtos e acessórios.

Indique para todas as questões e encomendas de peças sobressalentes a referência de 10 dígitos de acordo com a placa de características do produto.

Brasil

Robert Bosch Ltda. – Divisão de Ferramentas Elétricas
Rodovia Anhanguera, Km 98 - Parque Via Norte
13065-900, CP 1195
Campinas, São Paulo
Tel.: 0800 7045 446
www.bosch.com.br/contato

Encontra outros endereços da assistência técnica em:

www.bosch-pt.com/serviceaddresses

Eliminação

Ferramentas elétricas, acessórios e embalagens devem ser enviados a uma reciclagem ecológica de matérias-primas.



Não deitar ferramentas elétricas no lixo doméstico!

中文

安全规章

电动工具通用安全警告

警告！ 阅读所有警告和所有说明！不遵照以下警告和说明会导致电

击、着火和 / 或严重伤害。

保存所有警告和说明书以备查阅。

在所有下列的警告中术语“电动工具”指市电驱动（有线）电动工具或电池驱动（无线）电动工具。

工作场地的安全

- ▶ 保持工作场地清洁和明亮。混乱和黑暗的场地会引发事故。
- ▶ 不要在易爆环境，如有易燃液体、气体或粉尘的环境下操作电动工具。电动工具产生的火花会点燃粉尘或气体。
- ▶ 让儿童和旁观者离开后操作电动工具。注意力不集中会使操作者失去对工具的控制。

电气安全

- ▶ 电动工具插头必须与插座相配。绝不能以任何方式改装插头。需接地的电动工具不能使用任何转换插头。未经改装的插头和相配的插座将减少电击危险。
- ▶ 避免人体接触接地表面，如管道、散热片和冰箱。如果你身体接地会增加电击危险。
- ▶ 不得将电动工具暴露在雨中或潮湿环境中。水进入电动工具将增加电击危险。
- ▶ 不得滥用电线。绝不能用电线搬运、拉动电动工具或拔出其插头。使电线远离热源、油、锐边或运动部件。受损或缠绕的软线会增加电击危险。
- ▶ 当在户外使用电动工具时，使用适合户外使用的外接软线。适合户外使用的软线将减少电击危险。
- ▶ 如果在潮湿环境下操作电动工具是不可避免的，应使用剩余电流动作保护器（RCD）。使用RCD可减小电击危险。

人身安全

- ▶ 保持警觉，当操作电动工具时关注所从事的操作并保持清醒。当你感到疲倦，或在有药物、酒精或治疗反应时，不要操作电动工具。在操作电动工具时瞬间的疏忽会导致严重人身伤害。
- ▶ 使用个人防护装置。始终佩戴护目镜。安全装置，诸如适当条件下使用防全面具、防滑安全鞋、安全帽、听力防护等装置能减少人身伤害。

- ▶ **防止意外起动。** 确保开关在连接电源和/或电池盒、拿起或搬运工具时处于关断位置。手指放在已接通电源的开关上或开关处于接通时插入插头可能会导致危险。
- ▶ **在电动工具接通之前，拿掉所有调节钥匙或扳手。** 遗留在电动工具旋转零件上的扳手或钥匙会导致人身伤害。
- ▶ **手不要伸展得太长。** 时刻注意立足点和身体平衡。这样在意外情况下能很好地控制电动工具。
- ▶ **着装适当。** 不要穿宽松衣服或佩戴饰品。让衣服、手套和头发远离运动部件。宽松衣服、配饰或长发可能会卷入运动部件中。
- ▶ **如果提供了与排屑、集尘设备连接用的装置，要确保他们连接完好且使用得当。** 使用这些装置可减少尘屑引起的危险。
- ▶ **即使由于经常使用电动工具而对此非常熟悉，也不要就认为可以高枕无忧而忽略工具的安全规定。** 粗心大意的行为可能在瞬间就造成严重的伤害。

电动工具使用和注意事项

- ▶ **不要滥用电动工具，根据用途使用适当的电动工具。** 选用适当设计的电动工具会使你工作更有效、更安全。
- ▶ **如果开关不能接通或关断工具电源，则不能使用该电动工具。** 不能用开关来控制的电动工具是危险的且必须进行修理。
- ▶ **在进行任何调节、更换附件或贮存电动工具之前，必须从电源上拔掉插头和/或使电池盒与工具脱开。** 这种防护性措施将减少工具意外起动的危险。
- ▶ **将闲置不用的电动工具贮存在儿童所及范围之外，并且不要让不熟悉电动工具或对这些说明不了解的人操作电动工具。** 电动工具在未经培训的用户手中是危险的。
- ▶ **保养电动工具。** 检查运动件是否调整到位或卡住，检查零件破损情况和影响电动工具运行的其他状况。如有损坏，电动工具应在使用前修理好。许多事故由维护不良的电动工具引发。
- ▶ **保持切削刀具锋利和清洁。** 保养良好的有锋利切削刃的刀具不易卡住而且容易控制。
- ▶ **按照使用说明书，考虑作业条件和进行的作业来使用电动工具、附件和工具的刀头等。** 将电动工具用于那些与其用途不符的操作可能会导致危险。
- ▶ **保持手柄和握持表面干燥、清洁、无油污。** 在突发情况下，滑溜的手柄和握持表面无法确保安全地握持和控制工具。

维修

- ▶ **将你的电动工具送交专业维修人员，使用同样的备件进行修理。** 这样将确保所维修的电动工具的安全性。

台锯安全说明

防护警告：

- ▶ **护罩应保持在位置上。** 护罩应处于工作状态且恰当安装。应修理或更换松动、损坏、或功能不正常的护罩。
- ▶ **进行穿通锯割操作时总是使用锯片护罩、分料刀和防回弹装置。** 进行穿通锯割操作时锯片完全通过工件的厚度，护罩或其他安全装置有助于减少人身伤害。
- ▶ **完成需要拆除护罩、分料刀和/或防回弹装置的操作后(如开槽口)，应立即重新安装防护装置。** 护罩、分料刀和防回弹装置有助于减少人身伤害。
- ▶ **闭合开关前确认锯片未接触护罩、分料刀或工件。** 这些部件意外触及锯片可能导致危险状态。
- ▶ **按照本说明书调节分料刀。** 不正确的间距、定位或对齐会使分料刀不能有效减少回弹。
- ▶ **要使分料刀和防回弹装置起作用，必须使其接触工件。** 当工件太短无法接触分料刀和防回弹装置时，分料刀和防回弹装置是无效的。这些状态下，分料刀和防回弹装置不能防止回弹。
- ▶ **使用匹配分料刀的锯片。** 要使分料刀正常工作，锯片直径必须匹配适当的分料刀且锯片本体必须比分料刀薄、锯片的锯割宽度必须比分料刀的厚度宽。

锯割过程警告：

- ▶ **⚠ 危险：永远不要把你的手指或手放在锯片附近或与锯片在一条线上。** 不经意或滑倒瞬间你的手可能朝向锯片导致严重人身伤害。
- ▶ **工件的进给方向应与锯片的旋转方向相反。** 工件朝着工作台上方向锯片旋转的同方向进给会导致工件和你的手被拉进锯片中。
- ▶ **进行直锯时不要使用斜规进给工件，且在使用斜规进行横锯时不要将平行靠栅用作长度挡块。** 同时使用平行靠栅和斜规引导工件增加锯片卡住或回弹的可能性。
- ▶ **直锯时，推力总是施加在靠栅和锯片之间。** 当靠栅和锯片之间的距离小于150mm时使用推杆，且当该距离小于50mm时使用推块。“工作助力”装置有助于保持你的手与锯片之间的安全距离。
- ▶ **仅使用制造商提供的或根据说明书制作的推杆。** 推杆可保持手与锯片之间有足够的距离。
- ▶ **不要使用损坏的或有切口的推杆。** 损坏的推杆可能断裂从而使你的手滑进锯片。
- ▶ **不要徒手进行锯割。** 总是使用平行靠栅或斜规来定位和引导工件。“徒手”是指用手代替平行靠栅或斜规支承或引导工件。徒手锯割导致不能对齐、卡住和回弹。
- ▶ **不要靠近旋转锯片的周围或上方。** 接近工件可能导致意外触及运动锯片。
- ▶ **对于较长和/或较宽的工件，在工作台后面和/或侧面提供辅助工件支架。** 长且/或宽的工件可能在工作台边缘翻转，导致失控、锯片卡住和回弹。
- ▶ **匀速进给工件。** 不要弯曲或扭曲工件。如果发生堵转立即关闭工具、拔下插头，然后清除堵塞。锯片被工件堵住会导致回弹或电机堵转。

- ▶ **台锯运行中不要清除锯下的材料。** 锯下的材料可能被卷入靠栅或锯片护罩内与锯片之间从而将你的手指夹进锯片。在清除材料前关闭台锯直到锯片停止。
- ▶ **直锯小于2mm厚的工件时使用接触台面的辅助靠栅。** 薄工件可能卡到平行靠栅下面而导致回弹。

回弹原因和相关警告:

回弹是因锯片受挤压、被卡住或工件上的切割线与锯片未对齐或当部分工件卡在锯片和平行靠栅或其他固定物体之间时工件的突然反作用。

大多数情况下,回弹时工件被锯片后部抬高离开工作台并被推向操作者。

回弹是台锯误用和/或不正确的操作步骤或状态引起的,且可以采取下述适当的预防措施来避免:

- ▶ **不要站成与锯片在一直线上。站在靠栅所在的锯片侧。** 回弹可能将工件高速推向站在锯片前面与其成一条直线的任何人。
- ▶ **不要在锯片上方或后部拖拉或支撑工件。** 可能意外触及锯片或回弹可能将你的手指拖进锯片。
- ▶ **不要握持和压住正在被旋转锯片锯下的工件。** 压住正在被锯片锯下的工件会导致卡住和回弹。
- ▶ **使靠栅与锯片平行。** 方向偏移的靠栅会将工件挤向锯片而导致回弹。
- ▶ **进行诸如开槽口等非穿透锯割时,用羽毛板引导工件靠到工作台和靠栅上。** 当发生回弹时羽毛板有助于控制工件。
- ▶ **支撑大型板材以减少锯片挤压或卡住的风险。** 大型板材会因为自重而下垂。支撑件必须支撑住所有悬在台面之外的板材。
- ▶ **锯割扭曲、有节、弯曲或没有直边可以用斜规或靠栅引导的工件时需特别小心。** 弯曲、有结,或扭曲的工件是不稳固的且导致锯缝与锯片不对齐、卡住和回弹。
- ▶ **不要锯割多于一件的垂直或水平堆叠工件。** 当台锯重启时如果锯片卡住会抬起工件并导致回弹。
- ▶ **当锯片处于工件中时若重新启动台锯,应使锯片处于锯缝中间使锯齿不接触材料。** 当台锯重启时如果锯片卡住会抬起工件并导致回弹。
- ▶ **保持锯片清洁、锋利,且有足够齿数。不要使用变形锯片或开裂或断齿的锯片。** 锋利且齿数正常的锯片能减少卡住、堵转和回弹。

台锯操作过程警告:

- ▶ **拆除工作台嵌板、更换锯片、或调节分料刀、防回弹装置或锯片护罩时,以及工具无人照看时,应关闭台锯并拔掉电源线。** 预防措施可避免意外事故。
- ▶ **不要留下运转的台锯无人照看。** 关闭台锯且在其完全停止前不要离开。无人照看的运转着的台锯是不受控且危险的。
- ▶ **台锯应放在采光良好且地面平坦处以保持操作者良好的立足和平衡。** 狭窄、昏暗、及不平坦易打滑地面会导致意外事故。
- ▶ **经常清理除去工作台下面和/或集尘装置中的锯屑。** 堆集的锯屑易燃且可能自燃。

- ▶ **应固定台锯。** 台锯未被恰当固定可能移动或翻倒。
- ▶ **启动台锯前移除工作台上的刀具、零碎木料等。** 杂乱或潜在堵塞是危险的。
- ▶ **总是使用轴孔尺寸和形状正确的锯片(金刚石锯片对应圆形孔)。** 与安装件不匹配的锯片会偏心而引起失控。
- ▶ **不要使用损坏的或不合适的法兰、垫片、螺栓或螺母等锯片安装装置。** 这些安装装置是为本台锯的安全操作和优化性能特别设计的。
- ▶ **不要站在台锯上,不要将其他当作踏凳。** 工具翻倒或意外触及锯片可能引发严重人身伤害。
- ▶ **安装锯片时确认其在正确的旋转方向。** 台锯上不要使用磨轮、钢丝刷或砂轮。安装不合适的锯片或使用未推荐的附件会导致严重人身伤害。

其他安全规章

- ▶ **安装锯片时务必穿戴防护手套。** 有受伤的危险。
- ▶ **不要使用高速钢锯片。** 此类锯片容易折断。
- ▶ **只允许使用符合本使用说明书中和电动工具上给出的特性数据,并通过EN 847-1标准认证且有相应认证标识的锯片。**
- ▶ **请勿在没有台板的情况下使用电动工具。** 请更换损坏的台板。如果没有完好的台板,您可能会被锯片割伤。
- ▶ **工作场地应保持清洁。** 材料混合特别危险。轻金属粉尘可能会起火燃烧或爆炸。
- ▶ **请为希望加工的材料选择合适的锯片。**
- ▶ **只能使用由本电动工具制造商所推荐的锯片,以及适合加工物料的锯片。**
- ▶ **仅当锯片运转时,才能将工件向其迎去。** 否则如果锯片卡在工件中,会有反弹的危险。

图标

以下符号可以帮助您正确地使用本电动工具。请牢记各符号和它们的代表意思。正确了解各符号的代表意思,可以帮助您更有把握更安全地操作本电动工具。

图标及其含义



当电动工具运转时,切勿把手放在锯切区域内。碰到锯片会有受伤危险。



请佩戴护目镜。

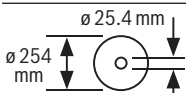


请佩戴听力防护装置。工作噪音会损坏听力。

图标及其含义

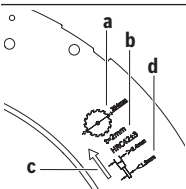


请佩戴防尘口罩。



注意锯片的尺寸。孔径必须无间隙地与工具主轴贴合。如果必须使用缩径套，应注意根据锯片厚度、锯片孔径以及工具主轴直径来匹配缩径套的尺寸。尽可能使用与锯片配套的缩径套。

锯片直径必须与图标上的说明一致。

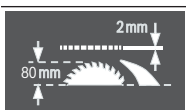


a 允许的最大锯片直径为254毫米。

b 劈开楔的厚度为2毫米。

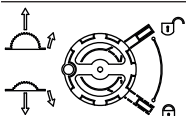
c 锯齿的方向箭头（锯片上的箭头方向）必须和劈开楔上的箭头方向一致。

d 更换锯片时，请确保切割宽度不小于2.4毫米，锯片主体的厚度不大于1.8毫米。否则劈开楔（毫米）可能卡在工件中。



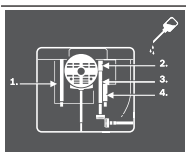
劈开楔的厚度为2毫米。

工件的最大许可高度为80毫米。



左侧：
显示手柄降低锯片（运输位置）时的旋转方向和升高锯片（工作位置）时的旋转方向。

右侧：
显示用来固定锯片和调整垂直斜切角度（可翻转锯片）的锁定杆的位置。



视需要润滑电动工具，请在指示的位置添加润滑油。



防护等级为II的电动工具已加强绝缘或双重绝缘。



产品带有CE标志，表明制造商确认该电动工具符合适用的欧盟指令。

产品和性能说明



请阅读所有安全规章和指示。不遵照以下警告和说明可能导致电击、着火和/或严重伤害。

请注意本使用说明书开头部分的图示。

按照规定使用

本电动工具适合以站立的方式在软木和硬木、刨花板和纤维板上进行纵向和横向的直线锯割。水平斜切角度的范围为 -30° 至 $+30^{\circ}$ ，垂直斜切角度的范围为 0° 至 45° 。

使用相应的锯片也可以锯切铝制型材和塑料。

插图上的机件

机件的编号和电动工具详解图上的编号一致。

- (1) 用于测量锯片至平行限制器距离的刻度尺
- (2) 用于在锯台拉出时测量锯片至平行限制器距离的刻度尺
- (3) 角度挡块
- (4) 锯台
- (5) 角度挡块的导槽
- (6) 保护盖
- (7) 反弹锁
- (8) 锯台插入件
- (9) 平行限制器
- (10) 锯台扩展件
- (11) 握柄槽
- (12) 平行限制器库
- (13) 防颠覆装置
- (14) 底架
- (15) 推棒
- (16) 锁定杆，用来调整垂直方向的斜切角度
- (17) 用来升高和降低锯片的手柄
- (18) 手轮
- (19) 电源开关的保护盖
- (20) 锯台扩展件夹手柄
- (21) 推棒库
- (22) 45度斜切角度的挡块（垂直）
- (23) 斜切角度刻度尺（垂直）
- (24) 0度斜切角度的挡块（垂直）
- (25) 启动开关
- (26) 重启按钮
- (27) 劈开楔
- (28) 锯片
- (29) 角度挡块库
- (30) 电线支架
- (31) 底架上的安装孔
- (32) 安装孔
- (33) 工具库/反弹锁

- | | |
|------------------------|---------------------------------|
| (34) 吸尘适配接头 | (54) 锯台插入件抓孔 |
| (35) 环形扳手 (10毫米; 13毫米) | (55) 夹紧法兰 |
| (36) 钩形扳手/开口扳手 (10毫米) | (56) 锯片六角螺栓 |
| (37) “底座”固定套件 | (57) 垫片 |
| (38) “防颠覆装置”固定套件 | (58) 固定法兰 |
| (39) “电动工具”固定套件 | (59) 角度指示器 (垂直) |
| (40) 劈开楔螺栓 | (60) 任意斜切角度的固定旋钮 (水平) |
| (41) 锯台插入件凹槽 | (61) 角度挡块上的角度指示器 |
| (42) 反弹锁按钮 | (62) 放大镜 |
| (43) 平行限制器夹紧柄 | (63) 锯台上的距离指示器 |
| (44) 平行限制器的V型导向件 | (64) 用于调整0度挡块的十字螺栓 |
| (45) 锯台上用于平行限制器的V型导槽 | (65) 角度指示器螺栓 (垂直) |
| (46) 平行限制器导槽 | (66) 用于调整45度挡块的十字螺栓 |
| (47) 辅助平行限制器 | (67) 前部内六角螺栓 (5毫米), 用于调整锯片的平行度 |
| (48) “辅助平行限制器”固定套件 | (68) 后部内六角螺栓 (5毫米), 用于调整锯片的平行度 |
| (49) 角度挡块的导轨 | (69) 锯台距离指示器螺栓 |
| (50) 型材挡轨 | (70) 内六角螺栓 (5毫米), 用于调整平行限制器的平行度 |
| (51) 型材挡轨翼形螺母 | (71) 平行限制器距离指示器螺栓 |
| (52) 下部锯片盖 | |
| (53) 下部锯片盖固定螺栓 | |

技术参数

台式圆锯		GTS 254	GTS 254
物品代码		3 601 M45 080 3 601 M45 0L0 3 601 M45 0K0 3 601 M45 0F0	3 601 M45 0C0
额定输入功率	瓦	1800	1800
空载转速	转/分钟	4300	3800
起动电流限制		●	●
重量符合EPTA-Procedure 01:2014	公斤	24.4	24.4
保护等级		□/II	□/II
尺寸 (包括可拆卸的机件)			
宽度 x 深度 x 高度	毫米	690 x 620 x 1000	690 x 620 x 1000
合适锯片的尺寸			
锯片直径	毫米	254	254
锯片主体的厚度	毫米	< 1.8	< 1.8
最小锯齿厚度/锯齿斜度	毫米	> 2.4	> 2.4
固定孔直径	毫米	25.4	25.4

最大工件尺寸: (参见“最大工件尺寸”, 页 58)

所有参数适用于230伏的额定电压[U], 对于其他不同的电压和国际规格, 数据有可能不同。

安装

- ▶ 避免意外启动电动工具。安装锯片时或在电动工具上所有工作时, 电源插头都不允许连接电源。

供货范围

电动工具初次投入运行前请检查下列零件是否均配套提供:

- 已经安装好锯片 (28)的台式圆锯
- “电动工具”固定套件 (39) (8个固定螺栓, 8个垫片)

- 底座 (14)
- “底座”固定套件 (37) (16个固定螺栓, 16个垫片, 16个固定环, 16个螺母)
- 防颠覆装置 (13)
- “防颠覆装置”固定套件 (38) (4个固定螺栓, 8个垫片, 4个固定环, 4个螺母)
- 角度挡块 (3)
- 型材挡轨 (50)
- “型材挡轨”翼形螺母 (51)
- 平行限制器 (9)
- 辅助平行限制器 (47)
- “辅助平行限制器”固定套件 (48) (2个固定螺栓, 2个翼形螺母)
- 劈开楔 (27), 带有已安装的保护盖 (6)
- 反弹锁 (7)
- 环形扳手 (35)
- 钩形扳手/开口扳手 (36)
- 推棒 (15)
- 锯台插入件 (8)

提示: 检查电动工具是否有损坏之处。

使用电动工具之前, 必须详细检查防护装置或轻微损坏的零件是否仍然运作正常。检查活动性零件是否功能正常不会被夹住, 以及该零件有否受损。所有的零件都必须安装正确, 并且符合规定以确保机器的正常功能。

损坏的防护装置和零件必须按照规定交给合格的专业修理厂修理或更换。

固定或活动的安装方式

- ▶ 为了能够稳定地操作机器, 正式使用之前, 必须将电动工具固定在平坦、稳固的工作平面上 (例如工作台)。

使用底座和防颠覆装置进行安装 (参见插图 a1 - a3)

使用“底座”固定套件(37)、“防颠覆装置”(38)和“电动工具”(39)进行安装

- 将底座(14)拧在一起。拧紧螺栓。
- 将防颠覆装置(13)拧到底架上。
- 将电动工具放到底架上, 使防颠覆装置方向朝后。
- 将电动工具固定到底架上。为此, 使用电动工具上的侧孔(31)和底座上的孔。

不通过底座的安装 (参见插图b)

- 使用合适的螺栓连接将电动工具固定在工作面上。为此需要钻孔(32)。

安装各部件

- 小心地从包装中取出所有的供货物品。
- 拆除电动工具和附带附件上的所有包装材料。
- 注意, 必须拆除马达缸体下方的包装材料。

以下机件直接固定在壳体上: 反弹锁(7)、环形扳手(35)、钩形扳手/开口扳手(36)、角度挡块(3)、平行限制器(9)、带固定套件(48)的辅助平行限制器(47)、保护盖(6)、推棒(15)、锯片(28)。

- 如果您需要其中的某个机件, 请将其小心地从储存槽中取出。

安装劈开楔 (参见插图c)

提示: 必要的话, 在定位之前清洁所有的零部件。

- 必要时, 移除锯台插入件(8)。
- 将手柄(17)顺时针旋转到极限位置, 使锯片(28)处于锯台上方最高位置。
- 用环形扳手(35)松开螺栓(40)。
- 装入劈开楔(27), 然后向下移动至极限位置。
- 用环形扳手(35)重新拧紧螺栓(40)。
- 安装锯台插入件(8)。

安装锯台插入件 (参见插图d)

- 将锯台插入件(8)钩入工具槽的后部凹槽(41)中。
- 向下引导锯台插入件。
- 按压锯台插入件, 直至前部卡入工具槽。

安装反弹锁 (参见插图e)

出现反弹时, 反弹锁(7)可以防止工件抛向操作人员。棘爪的尖齿钻入工件表面并将其固定住。

- 将反弹锁(7)的按钮(42)压到一起。这样就能拉回导向销。
- 将反弹锁(7)引导到劈开楔(27)上方, 然后松开按钮(42)。
- 将反弹锁朝保护盖方向推动, 直至导向销卡入劈开楔上的上方后部孔中。
- 检查导向销是否牢固地连接到孔上, 以及反弹锁是否正常工作。小心地抬起反弹锁的棘爪。松开时, 弹簧式棘爪必须向下移动并接触到锯台插入件。

安装平行限制器 (参见插图f)

平行限制器(9)可以定位在锯片的左侧或右侧。

- 松开平行限制器(9)的夹紧手柄(43)。从而卡住V型导向件(44)。
- 首先将带V型导向件的平行限制器放入锯台的导槽(45)。然后将平行限制器定位到锯台的前部导槽(46)中。
- 现在您可以随心所欲地移动平行限制器。
- 如需固定平行限制器, 请将夹紧手柄(43)向下按压。

安装辅助平行限制器 (参见插图g)

锯切狭长工件和垂直斜切角度时, 必须将辅助平行限制器(47)安装到辅助平行限制器(9)上。

视需求而定, 辅助平行限制器可以安装在平行限制器(9)的左侧或右侧。

安装时, 请使用“辅助平行限制器”固定套件(48) (2个固定螺栓, 2个翼形螺母)。

- 将固定螺栓穿过平行限制器(9)上的侧孔。
- 此时螺栓头可以充当平行限制器附件的导引。
- 将辅助平行限制器(47)推到固定螺栓头上方。
- 借助翼形螺母拧紧螺栓。

安装角度挡块 (参见插图h1-h2)

- 将角度挡块(3)的导轨(49)装入规定的锯台导槽(5)中。

可以通过型材挡轨(50)加宽角度挡块,以便更好地紧靠长工件。

- 必要时,可借助翼形螺母(51)将型材挡轨安装到角度挡块上。

抽取粉尘/切屑

含铅的颜料以及某些木材、矿物和金属的加工废尘有害健康。机器操作者或者工地附近的人如果接触、吸入这些废尘,可能会有过敏反应或者感染呼吸道疾病。

某些尘埃(例如加工橡木或山毛榉的废尘)可能致癌,特别是和处理木材的添加剂(例如木材的防腐剂等)结合之后。只有经过专业训练的人才能够加工含石棉的物料。

- 尽可能使用适合物料的吸尘装置。
- 工作场所要保持空气流通。
- 最好佩戴P2滤网等级的口罩。

请留心并遵守贵国和加工物料有关的法规。

尘/屑收集装置可能因为废尘、废屑或工件的残屑而造成堵塞。

- 关闭电动工具,并且从插座中拔出插头。
- 静候让锯片完全停止转动。
- 找出造成阻塞的原因,并且排除障碍。
- ▶ **避免让工作场所堆积过多的尘垢。**尘垢容易被点燃。
- ▶ **为避免锯切金属铝时发生火灾,请清空出屑口且不要使用锯屑抽取装置。**

清空出屑口(参见插图i)

可以清空下部锯片盖(52)来清除工件碎屑和大切屑。

- 关闭电动工具,并且从电源插座中拔出电源插头。
- 静候让锯片完全停止转动。
- 将电动工具侧放。
- 松开固定螺栓(53),打开下部锯片盖(52)。
- 清除工件的碎块和锯屑。
- 关闭下部锯片盖,再次拧紧。
- 将电动工具调整在工作位置上。

外部抽取装置(参见插图j)

- 将合适的集尘器软管牢固插入吸尘适配接头(34)。

根据工件的物料选择合适的集尘装置。

抽取可能危害健康、可能导致癌症或干燥的废尘时,务必使用特殊的集尘装置。

更换锯片(参见插图k1-k4)

- ▶ **在电动工具上进行所有操作之前都必须从插座上拔出电源插头。**
- ▶ **安装锯片时务必穿戴防护手套。**有受伤的危险。
- ▶ **所使用的锯片的最高许可转速必须高于电动工具的无负载转速。**
- ▶ **只允许使用符合本使用说明书中和电动工具上给出的特性数据,并通过EN 847-1标准认证且有相应认证标识的锯片。**

- ▶ **只能使用由本电动工具制造商所推荐的锯片,以及适合加工物料的锯片。**
- ▶ **不要使用高速钢锯片。**此类锯片容易折断。

拆卸锯片

- 将手柄(17)顺时针旋转到极限位置,使锯片(28)处于锯台上方最高位置。
- 将保护盖(6)向后翻。
- 通过抓孔(54)抬起锯台插入件(8),然后将其从工具槽中取出。
- 将六角螺栓(56)用环形扳手(35)逆时针拧下,同时用钩形扳手(36)固定住夹紧法兰(55)。
- 取下垫片(57)和夹紧法兰(55)。
- 取下锯片(28)。

安装锯片

必要的话,在安装之前清洁所有的零部件。

- 将新锯片放到工具主轴的固定法兰(58)上。

提示:请勿使用过小的锯片。锯片和劈开楔之间的径向间隙不得超过3-8毫米。

- ▶ **安装时请注意,锯齿的锯切方向(锯片上的箭头方向)必须和保护盖上的箭头方向一致!**
- 装上夹紧法兰(55)、垫片(57)和六角螺栓(56)。
- 将六角螺栓(56)用环形扳手(35)顺时针拧下,同时用钩形扳手(36)固定住夹紧法兰。
- 再次装入锯台插入件(8)。
- 将保护盖(6)向前翻。

运行

- ▶ **在电动工具上进行所有操作之前都必须从插座上拔出电源插头。**

锯片的运输位置和工作位置

运输位置

- 移除保护盖(6)和锯台插入件(8),将劈开楔(27)定位到底部位置。再次装入锯台插入件(8)。
- 将手柄(17)逆时针转动,直至锯片(28)的锯齿处于锯台(4)下方。
- 将锯台扩展件(10)向内推到底。向下按压夹紧手柄(20)。由此固定好锯台扩展件。

工作位置

- 将劈开楔(27)精确定位到锯片中心的最上方位置,然后装入锯台插入件(8)并安装保护盖(6)。
- 将手柄(17)顺时针转动,直至锯片(28)的上部锯齿处于工件上方约3-6毫米的位置。

设置垂直和水平斜切角度

为了确保精确的锯切,在频繁使用之后必须检查电动工具的基本设定,必要时进行适度调整。

设置垂直斜切角度(锯片)(参见插图A)

垂直斜切角度的调整范围为0°至45°。

- 逆时针松开锁定杆(16)。

提示：完全松开锁定杆时，锯片因重力倾斜到约30度的位置。

- 沿着连杆拉动或按压手轮(18)，直至角度指示器(59)显示所需的垂直斜切角度。
- 让手轮保持在这个位置，并重新拧紧锁定杆(16)。

出厂时已设置好的限位挡块((24)，(22))用于快速精确地设定垂直标准角度0度和45度。

设置水平斜切角度（角度挡块）（参见插图B）

水平斜切角度的调整范围可在30°（左侧）至30°（右侧）之间调整。

- 如果固定旋钮(60)被拧紧了，请先松开。
- 转动角度挡块，直至角度指示器(61)显示所需的斜切角度。
- 再次拧紧固定旋钮(60)。

加大锯台

如果工件又长又重，必须在它悬空的末端放上衬垫或做好支撑。

锯台扩展件（参见插图C）

锯台扩展件(10)可将锯台(4)向右最多扩展950毫米。

- 将锯台扩展件的夹紧手柄(20)向上拉到顶。
- 向外拉动锯台扩展件(10)，直至达到所需的长度。
- 向下按压夹紧手柄(20)。由此固定好锯台扩展件。

调整平行限制器

平行限制器(9)可以定位在锯片的左侧或右侧。放大镜(62)中的标记表示刻度尺(1)上平行限制器至锯片的设定距离。

将平行限制器定位至所需的锯片侧面(参见“安装平行限制器(参见插图f)”，页55)。

在锯台未拉出时调整平行限制器

- 松开平行限制器(9)的夹紧手柄(43)。移动平行限制器，直至放大镜(62)中的标记显示至锯片的所需距离。
- 锯台未拉出时，适用刻度尺(1)的标记。
- 固定时，请再次向下按压夹紧手柄(43)。

在锯台拉出时调整平行限制器（参见插图D）

- 把平行限制器放在锯片的右侧。
- 移动平行限制器，直至放大镜(62)中的标记在刻度尺(1)上显示28厘米。
- 固定时，请再次向下按压夹紧手柄(43)。
- 将锯台扩展件的夹紧手柄(20)向上拉到顶。
- 向外拉动锯台扩展件(10)，直至距离指示器(63)在刻度尺(2)上显示至锯片的所需距离。
- 向下按压夹紧手柄(20)。
- 由此固定好锯台扩展件。

设置辅助平行限制器（参见插图E）

锯切狭长工件和垂直斜切角度时，必须将辅助平行限制器(47)安装到平行限制器(9)上。

视需求而定，辅助平行限制器可以安装在平行限制器(9)的左侧或右侧。

锯割时工件可能卡在平行限制器和锯片之间，上升中的锯片会钩住该工件并将它向外抛开。

因此要调整好平行限制器的附件，得让导引的末端位在锯片最前端的锯齿和劈开楔的前缘之间。

- 为此，松开固定套件(48)的所有翼形螺母，并相应地移动辅助平行限制器。
- 再度拧紧翼形螺母。

投入使用

▶ **注意电源电压！** 电源的电压必须和电动工具铭牌上标示的电压一致。

接通（参见插图F1）

- 向上翻起安全挡板(19)。
- 调试时，请按压绿色的起动开关(25)。
- 再次落下安全挡板(19)。

关闭（参见插图F2）

- 按压安全挡板(19)。

过载保护

本电动工具装备有过载保护装置。按照规定使用时不会造成电动工具过载。当负载过高时，电子系统将关闭电动工具。

执行以下步骤，将电动工具重新投入运行：

- 让电动工具冷却至少10分钟。
- 按压重启按钮(26)，然后重新接通电动工具。

停电

本机器的起停开关是所谓的零位开关。它可以防止电动工具在停电之后（例如在操作中中途拔出电源插头）自行起停。

为了此后再次使用电动工具，必须重新按压绿色的起停开关(25)。

工作提示

一般性的锯切提示

- ▶ **进行任何锯割之前必须先确定锯片绝对不会碰触挡块或其它的机件。**
- ▶ **仅可在装备相应保护装置（比如通道保护罩、推力环）的情况下使用电动工具来开槽或翻边。**
- ▶ **不得将本电动工具用于开槽（末端在工件内的槽）。**

保护锯片免受冲撞和敲击。不可以侧压锯片。劈开楔必须和锯片位在同一直线上，以预防工件被夹住。

不可以加工变形的工件。为了能够紧靠在平行限制器上，工件至少必须具备一道笔直的边缘。

推棒要存放在电动工具上。

操作者的位置 (参见插图G)

▶ **不要站成与锯片在一直线上。站在靠栅所在的锯片侧。**回弹可能将工件高速推向站在锯片前面与其成一条直线的任何人。

– 手掌、手指和手臂必须远离转动中的锯片。

请注意以下各指示：

– 使用双手握好工件并将工件牢牢地压在锯台上。
– 锯切狭长工件和垂直斜切角度时，应始终使用配套的推棒(15)和辅助平行限制器(47)。

最大工件尺寸

垂直斜切角度	最大工件高度 [毫米]
0度	80
45度	55

锯切**锯割直线**

– 将平行限制器(9)调整到所需的切割宽度。
– 将工件放到锯台的保护盖(6)前部。
– 通过手柄(17)尽可能地升高或降低锯片，直至锯片(28)的上部锯齿处于工件上方约3 - 6毫米的位置。
– 接通电动工具的电源。
– 施力均匀地锯切工件。
如果施力过大，则锯片尖可能过热，工件可能会损坏。
– 关闭电动工具并等待，直至锯片完全停止转动。

锯割垂直方向的斜切角度

– 请设置所需的锯片垂直斜切角度。
锯片向左倾斜时，平行限制器(9)必须位于锯片的右侧。
– 遵循相应的工作步骤：(参见“锯割直线”，页58)

锯切水平斜切角度 (参见插图H)

– 请通过角度挡块(3)设置所需的水平斜切角度。
– 将工件放到型材挡轨(50)上。
型材不可以放在锯线上。这种情况下，请松开翼形螺母(51)并移动型材挡轨。
– 通过手柄(17)尽可能地升高或降低锯片，直至锯片(28)的上部锯齿处于工件上方约3 - 6毫米的位置。
– 接通电动工具的电源。
– 用一只手对着型材挡轨(50)按压工件，再用另一只手通过固定旋钮(60)缓慢地在导槽(3)中向前移动角度挡块。
– 关闭电动工具并等待，直至锯片完全停止转动。

检查和调整基本设定

为了确保精确的锯切，在频繁使用之后必须检查电动工具的基本设定，必要时进行适度调整。

检查时不仅要有足够的经验，而且还要使用特殊工具。

博世的客户服务中心能够快速可靠地执行这项工作。

调整垂直标准斜切角度0度/45度的挡块

– 将电动工具调整在工作位置上。
– 请设置锯片的0度垂直斜切角度。

检查 (参见插图I1)

– 将角规调整到90度并将其放到锯台(4)上。
角规的支脚必须与锯片(28)在整个长度上齐平。

调整 (参见插图I2)

– 松开螺栓(64)。从而可以移动0度挡块(24)。
– 松开锁定杆(16)。
– 对着0度挡块推动手轮(18)，直至角规的支脚和锯片在整个长度上齐平。
– 让手轮保持在这个位置，并重新拧紧锁定杆(16)。
– 重新拧紧螺栓(64)。

如果角度指示器(59)在调整后未指向刻度尺(23)的0度标记线，请用市售十字螺丝刀松开螺栓(65)，并沿着0度标记校准角度指示器。

对于45度的垂直斜切角度，请相应地执行上述工作步骤（松开螺栓(66)；移动45度挡块(22)）。同时不得再次调整角度指示器(59)。

锯片与角度挡块导槽的平行度 (参见插图J)

– 将电动工具调整在工作位置上。

检查

– 用铅笔标出锯台插件上方后部可看到的第一个左锯齿。
– 将角规调整到90度，并将其放到导槽(5)的边缘上。
– 移动角规的支脚，直至触碰到标记的锯齿，然后读取锯片和导槽之间的距离。
– 转动锯片，直至标记的前部锯齿位于锯台插件上方。
– 沿着导槽移动角规，并将它移动到被做上记号的锯齿上。
– 再度测量锯片和导槽之间的距离。
这两个测量值必须相同。

调整

– 用一把内六角扳手松开锯台上的前部内六角螺栓(67)和锯台上的后部内六角螺栓(68)。
– 小心地移动锯片，直至与导槽(5)平行。
– 重新拧紧所有螺栓(67)和(68)。

距调整锯台的距离指示器 (参见插图K)

– 把平行限制器放在锯片的右侧。
移动平行限制器，直至放大镜(62)中的标记在下方刻度尺上显示28厘米。
固定时，请再次向下按压夹紧手柄(43)。
– 将夹紧手柄(20)向上拉到顶，然后将锯台扩展件(10)向外拉动，直至挡块。

检查

距离指示器(63)在刻度尺(2)上显示的数值必须与放大镜(62)刻度尺(1)上的标记相同。

调整

– 向外拉动锯台扩展件(10)，直至挡块。
– 用十字螺丝刀松开螺栓(69)，并沿着上部刻度尺(1)的28厘米标记校准距离指示器(63)。

调整平行限制器的平行度 (参见插图L)

- 将电动工具调整在工作位置上。
- 取下反弹锁(7)并将保护盖(6)向后翻。
- 松开并移动平行限制器的夹紧手柄(43)，直至与锯片接触。

检查

平行限制器(9)必须在整个长度上接触锯片。

调整

- 用一把内六角扳手松开内六角螺栓(70)。
- 小心地移动平行限制器(9)，直至在整个长度上接触锯片。
- 让平行限制器保持在这个位置，并重新向下按压夹紧手柄(43)。
- 重新拧紧内六角螺栓(70)。

调整平行限制器的放大镜 (参见插图L)

- 将电动工具调整在工作位置上。
- 取下反弹锁(7)并将保护盖(6)向后翻。
- 从右侧移动平行限制器(9)，直至接触到锯片。

检查

放大镜(62)的标记必须与刻度尺(1)的0毫米标记成一条线。

调整

- 用十字螺丝刀松开螺栓(71)，然后沿着0毫米标记对齐标记。

存储和运输**存放机件 (参见插图M - N)**

本电动工具提供了存放机件的机会，您可以将某些机件固定在电动工具上。

- 松开平行限制器(9)上的辅助平行限制器(47)。
- 将所有零散的机件插到壳体的储存箱中 (参见下表)。

图 片	机件	储存箱
M	环形扳手(35)	插到工具槽(33)中
M	钩形扳手/开口扳手(36)	插到工具槽(33)中
M	反弹锁(7)	插到工具槽(33)中
M	角度挡块(3)和型材挡轨(50)	推入槽(29)上的支架
N	安装了辅助平行限制器(47)的平行限制器(9)	放入工具槽(12)
N	推棒(15)	插到工具槽(21)中

维修和服务**维护和清洁**

- ▶ 在电动工具上进行所有操作之前都必须从插座上拔出电源插头。
- ▶ 电动工具和通气孔必须随时保持清洁，以确保工作效率和工作安全。

如果必须更换连接线，务必把这项工作交给**Bosch**或者经授权的**Bosch**电动工具顾客服务执行，以避免危害机器的安全性能。

清洁

每次工作结束后，使用压缩空气或毛刷清除机器上的灰尘和锯屑。

润滑电动工具**润滑剂:**

发动机油SAE 10/SAE 20

- 根据需要在指示的位置润滑电动工具。

授权的博世客户服务中心能够快速可靠地执行这项工作。

环保地废弃处理润滑油和清洁剂。注意法律规定。

降低噪音的措施

制造商提供的方法:

- 缓速启动
- 提供特别为了降低噪音而研发的锯片

操作者自己能做的措施:

- 将机器安装在稳固的工作面上，可以降低震动
- 使用具备了降低噪音功能的锯片
- 定期清洁锯片和电动工具

附件

	物品代码
角度挡块	2 610 015 508
推棒	1 600 A02 2D7
用于木材和板材、装饰板和木条的锯片	物品代码
锯片254 x 25.4毫米, 40齿	2 608 640 901
锯片254 x 25.4毫米, 60齿	2 608 640 902

客户服务和应用咨询

本公司顾客服务处负责回答有关本公司产品的修理、维护和备件的问题。备件的展开图纸和信息也可查看: www.bosch-pt.com
博世应用咨询团队乐于就我们的产品及其附件问题提供帮助。

询问和订购备件时，务必提供机器铭牌上标示的10位数物品代码。

中国大陆

博世电动工具(中国)有限公司

中国 浙江省 杭州市

滨江区 滨康路567号

102/1F 服务中心

邮政编码: 310052

电话: (0571)8887 5566 / 5588

传真: (0571)8887 6688 x 5566# / 5588#

电邮: bsc.hz@cn.bosch.com

www.bosch-pt.com.cn

制造商地址:

Robert Bosch Power Tools GmbH

罗伯特·博世电动工具有限公司

70538 Stuttgart / GERMANY

70538 斯图加特 / 德国

其他服务地址请见：

www.bosch-pt.com/serviceaddresses



不可以把电动工具丢入家庭垃圾中！

处理废弃物

必须以符合环保要求的方式回收再利用电动工具、附件和包装材料。

产品中有害物质的名称及含量

Component name 部件名称	Hazardous substance 有害物质					
	Lead (Pb) 铅 (Pb)	Mercury (Hg) 汞 (Hg)	Cadmium (Cd) 镉 (Cd)	Hexavalent chromium 六价铬 (Cr ⁺⁶)	Polybrominated biphenyls (PBB) 多溴联苯 (PBB)	Polybrominated diphenyl ethers (PBDE) 多溴二苯醚 (PBDE)
Metal part of housing 外壳的金属部分	○	○	○	○	○	○
Non-metal part of housing 外壳的非金属部分	○	○	○	○	○	○
Transmission 机械传动机构	○	○	○	○	○	○
Motor assembly 电机组件	○	○	○	○	○	○
Control electronics 控制组件	○	○	○	○	○	○
Accessories 附件	○	○	○	○	○	○
Attachments 配件	○	○	○	○	○	○
Connectors 连接件	○	○	○	○	○	○
Power cord *1) 电源线* ①	○	○	○	○	○	○
Battery system *2) 电池系统* ② 电池系统* ②	○	○	○	○	○	○

本表格依据SJ/T11364的规定编制。

○：表示该有害物质在该部件所有均质材料中的含量均在GB/T 26572规定的限量要求以下。

X：表示该有害物质至少在该部件的某一均质材料中的含量超出GB/T 26572规定的限量要求。且目前业界没有成熟的替代方案，符合欧盟RoHS指令环保要求。

① 适用于采用电源线连接供电的产品。

② 适用于采用充电电池供电的产品。

产品环保使用期限内的使用条件参见产品说明书。

繁體中文

安全注意事項

電動工具通用安全警告

警告 請詳讀工作臺及電動工具的所有安全警告與使用說明。若不遵照以下列出的指示，將可能導致電擊、著火和/或人員重傷。

保存所有警告和說明書以備查閱。

在所有警告中，「電動工具」此一名詞泛指：以市電驅動的（有線）電動工具或是以電池驅動的（無線）電動工具。

工作場地的安全

- ▶ 保持工作場地清潔和明亮。混亂和黑暗的場地會引發事故。
- ▶ 不要在易爆環境，如有易燃液體、氣體或粉塵的環境下操作電動工具。電動工具產生的火花會點燃粉塵或氣體。
- ▶ 讓兒童和旁觀者離開後操作電動工具。注意力不集中會使您失去對工具的控制。

電氣安全

- ▶ 電動工具插頭必須與插座相配。絕不能以任何方式改裝插頭。需接地的電動工具不能使用任何轉換插頭。未經改裝的插頭和相配的插座將減少電擊危險。
- ▶ 避免人體接觸接地表面，如管道、散熱片和冰箱。如果您身體接地會增加電擊危險。
- ▶ 不得將電動工具暴露在雨中或潮濕環境中。水進入電動工具將增加電擊危險。
- ▶ 不得濫用電線。絕不能用電線搬運、拉動電動工具或拔出其插頭。使電線遠離熱源、油、銳利邊緣或移動零件。受損或纏繞的軟線會增加電擊危險。
- ▶ 當在戶外使用電動工具時，使用適合戶外使用的延長線。適合戶外使用的軟線，將減少電擊危險。
- ▶ 如果在潮濕環境下操作電動工具是不可避免的，應使用剩餘電流動作保護器（RCD）。使用RCD可降低電擊危險。

人身安全

- ▶ 保持警覺，當操作電動工具時關注所從事的操作並保持清醒。當您感到疲倦，或在有藥物、酒精或治療反應時，不要操作電動工具。在操作電動工具時瞬間的疏忽會導致嚴重人身傷害。
- ▶ 使用個人防護裝置。始終佩戴護目鏡。安全裝置，諸如適當條件下使用防塵面具、防滑安全鞋、安全帽、聽力防護等裝置能減少人身傷害。
- ▶ 防止意外起動。確保開關在連接電源和/或電池盒、拿起或搬運工具時處於關閉位置。手指放在已接通電源的開關上或開關處於接通時插入插頭可能會導致危險。

- ▶ 在電動工具接通之前，拿掉所有調節鑰匙或扳手。遺留在電動工具旋轉零件上的扳手或鑰匙會導致人身傷害。
- ▶ 手不要伸展得太長。時刻注意立足點和身體平衡。這樣在意外情況下能很好地控制電動工具。
- ▶ 著裝適當。不要穿寬鬆衣服或佩戴飾品。讓您的衣物及頭髮遠離運動部件。寬鬆衣服、佩飾或長髮可能會捲入運動部件中。
- ▶ 如果提供了與排屑、集塵設備連接用的裝置，要確保他們連接完好且使用得當。使用這些裝置可減少塵屑引起的危險。
- ▶ 切勿因經常使用工具所累積的熟練感而過度自信，輕忽工具的安全守則。任何一個魯莽的舉動都可能瞬間造成人員重傷。

電動工具使用和注意事項

- ▶ 不要濫用電動工具，根據用途使用適當的電動工具。選用適當設計的電動工具會使您工作更有效、更安全。
- ▶ 如果開關不能開啟或關閉工具電源，則不能使用該電動工具。不能用開關來控制的電動工具是危險的且必須進行修理。
- ▶ 在進行任何調整、更換配件或貯存電動工具之前，必須從電源上拔掉插頭並/或取出電池盒。這種防護性措施將減少工具意外起動的危險。
- ▶ 將閒置不用的電動工具貯存在兒童所及範圍之外，並且不要讓不熟悉電動工具或對這些說明不瞭解的人操作電動工具。電動工具在未經培訓的用戶手中是危險的。
- ▶ 保養電動工具與配備。檢查運動件是否調整到位或卡住，檢查零件破損情況和影響電動工具運行的其他狀況。如有損壞，電動工具應在使用前修理好。許多事故由維護不良的電動工具引發。
- ▶ 保持切削刀具鋒利和清潔。保養良好的有鋒利切削刃的刀具不易卡住而且容易控制。
- ▶ 按照使用說明書，考慮作業條件和進行的作業來使用電動工具、配件和工具的刀頭等。將電動工具用於那些與其用途不符的操作可能會導致危險。
- ▶ 把手及握持區應保持乾燥、潔淨，且不得沾染任何油液或油脂。易滑脫的把手及握持區將無法讓您在發生意外狀況時安全地抓緊並控制工具。

檢修

- ▶ 將您的電動工具送交專業維修人員，必須使用同樣的備件進行更換。這樣將確保所維修的電動工具的安全性。

圓鋸台安全說明

防護裝置相關警告

- ▶ 將防護裝置放好。防護裝置功能需正常且正確安裝。鬆脫、損壞或功能不正常的防護裝置均必須修復或更換。
- ▶ 每次切割作業均必須使用鋸片防護裝置、劈刀及防反彈裝置。針對鋸片會將加工件的整個厚度均切開的切割作業，防護裝置與其他安全裝置有助於降低受傷風險。

- ▶ 在完成需要拆除防護裝置、劈刀及／或防反彈裝置的作業（如開槽口）後，請立即重新裝上防護系統。防護裝置、劈刀與防反彈裝置有助於降低受傷風險。
- ▶ 在啟動前請確認鋸片未與防護裝置、劈刀或加工件接觸。鋸片意外接觸這些東西可能會造成危險。
- ▶ 請依本說明書中的指示來調整劈刀。不正確的間隔、定位和校準皆可能會無法有效降低劈刀反彈的情況。
- ▶ 若要使用劈刀及防反彈裝置，必須將其與工件啮合。若加工件過短而無法啟動劈刀和防反彈裝置，則劈刀及防反彈裝置無法運作。在此情況下，劈刀及防反彈裝置會無法防止反彈。
- ▶ 使用適當的劈刀鋸片。為使劈刀正常運作，鋸片直徑必須與劈刀配合且鋸片刀體必須比劈刀薄且鋸片的切割寬度必須比劈刀的厚度寬。

切割程序警示

- ▶ **⚠ 危險：請勿將您的手或手指放在鋸片附近或其路徑上。**一不小心或滑動，均可能讓您的手靠近鋸片而造成嚴重的人身傷害。
- ▶ 將加工件推向鋸片時請務必與旋轉方向相反。若以和鋸片在鋸台上旋轉的方向相同之方向推入加工件，均可能使加工件及您的手被鋸片拉過去。
- ▶ 在劈鋸作業時切勿使用角度量規推送加工件，且搭配角度量規進行交叉切割時請勿用碎片護欄作為長度擋塊。同時用碎片護欄及角度量規會增加鋸片卡住及反彈的機會。
- ▶ 進行劈鋸作業時，請從護欄與鋸片間推送加工件。當護欄與鋸片間的距離小於150 mm時請使用推桿，當距離小於50 mm時則請使用推塊。「作業協助」裝置可讓您的手與鋸片保持安全距離。
- ▶ 請僅使用製造商提供或依說明製作的推桿。此推桿可讓手與鋸片保持足夠的距離。
- ▶ 請勿使用損壞或切斷的推桿。損壞的推桿可能會斷掉而讓您的手滑到鋸片中。
- ▶ 請勿「徒手」進行任何操作。請務必使用碎片護欄或角度量規進行加工件定位與導引。「徒手」指用手代替碎片護欄或角度量規支撐或引導加工件。徒手鋸切會造成不對齊、卡住或反彈。
- ▶ 請勿靠近接近轉動中的鋸片。嘗試接觸加工件時可能會意外與移動中的鋸片接觸。
- ▶ 針對長且／或寬的加工件請在鋸台後方及／或兩側使用輔助工作件支撐裝置使其保持水平。長且／或寬的加工件易在鋸台邊緣處翻覆，造成失翻、鋸片卡住及反彈。
- ▶ 請以穩定的節奏推送加工件。請勿彎折或扭曲加工件。若發生卡住的情況，請立即將工具關閉，把電源拔掉後排除卡住的情況。鋸片被加工件卡住為造成反彈或使馬達空轉。
- ▶ 請勿在鋸片運作時將切掉的材料去除。這些材料可能會卡在護欄間或鋸片內而將您的手指拉向鋸片。移除材料前請關閉鋸片並等其完全停止。

- ▶ 在劈鋸厚度低於2 mm的加工件時，請在鋸台上方使用輔助護欄。較薄的加工件可能會落到碎片護欄底下而造成反彈。

反彈原因與相關警告

反彈是加工件因擠壓、卡住的鋸片或加工件的切割線與鋸片不對齊，或部分加工件卡在鋸片與碎片護欄或其他固定物間所造成的情況。

通常在反彈時，加工件會被鋸片的後段從鋸台上升起並朝操作員飛過來。

反彈是不當使用電鋸及／或操作程序（條件）不正確所造成的結果。採取以下適當預防措施，則可避免此一情況。

- ▶ 請勿站在鋸片的延伸線上。隨時站在鋸片旁有護欄的那一側。反彈會使加工件高速飛向站在鋸片延伸線上的人員。
- ▶ 請勿從鋸片後方拉動或支撐加工件。如此可能會意外接觸鋸片或因反彈而將手指拉進鋸片中。
- ▶ 請勿將切割中的加工件朝旋轉中的鋸片壓。將加工件朝鋸片壓會造成卡住的情況或反彈。
- ▶ 將護欄與鋸片保持平行。未校準的護欄會將加工件朝鋸片擠壓而造成反彈。
- ▶ 進行非穿透式切割如開槽口時，請使用羽毛板引導加工件進入鋸台與護欄。羽毛板有助於在反彈時控制加工件。
- ▶ 支撐控制板以降低鋸片卡住及發生反彈的風險。大型控制板可能因其本身的重量而下垂。支撐裝置必須位於控制板懸在鋸台外的部分之下方。
- ▶ 切割扭曲、交錯、捲曲或無垂直邊緣可使用角度量規或沿護欄引導之加工件時請特別小心。捲曲、交錯或扭曲的加工件會不穩定並造成鋸片不對齊、卡住及反彈的情況。
- ▶ 請勿以垂直或水平堆疊的方式一次切割多個加工件。鋸片會推起多個加工件而造成反彈。
- ▶ 當在加工件中重新啟動鋸片時，請將鋸片與切割線對齊讓鋸齒不會卡在材料中。若鋸片卡住，可能會使加工件升起而在鋸片重新啟動時造成反彈。
- ▶ 請保持鋸片清潔、銳利並有充足的鋸齒量。切勿使用扭曲的鋸片或有破損之鋸牙的鋸片。尖銳且鋸齒量足的鋸片可降低卡住、空轉及反彈的情況。

圓鋸台操作程序警示

- ▶ 拆卸鋸台插件、更換鋸片或調整劈刀、防反彈裝置或鋸片防護裝置及機器無人操作時，請關閉圓鋸台並拔掉電源線。採取預防措施有助於避免意外。
- ▶ 請勿將運作中的圓鋸台處於無人管理的狀態。請將其關閉並等到其完全停住後再離開。運轉中但無人管理的鋸片會有意外風險。
- ▶ 請將圓鋸台放在光線充足且水平的區域，讓您能有穩定站立的空間。其應安裝在能讓您有足夠空間控制您加工件的區域中。狹窄、陰暗且不平坦且失滑的地面容易造成意外。
- ▶ 請常清潔並清除鋸台下方及（或）塵屑收集裝置中的鋸屑。堆積的鋸屑具易燃性，可能會自燃。

- ▶ **圓鋸台必須妥善固定。**未妥善固定的圓鋸台可能會移動或翻覆。
- ▶ **在啟動圓鋸台前請將工具、木塊等從鋸台上移開。**否則可能會造成分心或有卡住的危險。
- ▶ **請務必使用具備正確尺寸和心軸形狀（鑽石或圓形）的鋸片。**不符合鋸片安裝硬體的刀片在運轉時將會偏離中心，進而導致失控。
- ▶ **請勿使用損壞或不正確的鋸片安裝工具如法蘭、鋸片墊片、螺栓或螺帽等。**這些安裝工具是針對您的鋸台專門設計，能確保其運作安全與性能。
- ▶ **請勿站在圓鋸台上，請勿用其當作踏腳台。**若工具翻覆或不小心接觸到切割工具，會造成嚴重的傷害。
- ▶ **安裝鋸片時請確認其轉動的方向正確。**請勿在圓鋸台上使用研磨輪、鋼絲刷或砂磨輪。未妥當安裝鋸片或使用非建議之配件均會造成嚴重受傷。

其他安全注意事項

- ▶ **安裝鋸片時務必穿戴防護手套。**人員可能有受傷之虞。
- ▶ **請勿使用高合金快速鋼（HSS）材質的鋸片。**此類鋸片容易折斷。
- ▶ **根據本說明書中以及本電動工具上載述的技術數據，選擇合適的鋸片。**必須選用通過 EN 847-1 認證而且具有此一認證標示的鋸片。
- ▶ **操作工具時一定要使用工作桌嵌件。**工作桌嵌件如已故障，請更換之。少了完好的工作桌嵌件，您可能會被鋸片割傷。
- ▶ **作業區請保持整潔。**複合材質是極具危險性的材質。輕質合金粉塵可能會起火或爆炸。
- ▶ **請您根據欲進行加工的材料，選用合適的鋸片。**
- ▶ **只能使用由本電動工具製造商推薦且適用於加工材料的鋸片。**
- ▶ **唯有在鋸片已處於運作狀態下，才可將工件移過去進行加工。**否則如果鋸片卡在工件中，會有反彈的危險。

符號

以下符號可以幫助您正確地使用本電動工具。請牢記各符號和它們的代表意義。正確了解各符號代表的意義，可以幫助您更有把握更安全地操作本電動工具。

符號和它們的代表意義



當電動工具運轉時，切勿把手伸進鋸切範圍內。手若觸碰鋸片有被割傷的危險。



請佩戴護目鏡。

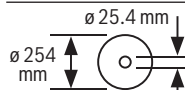
符號和它們的代表意義



請佩戴耳罩。工作噪音會損壞聽力。

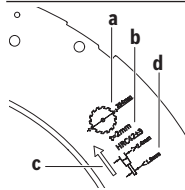


請佩戴防塵面罩。



請注意鋸片尺寸。鋸片上的內孔直徑必須和工具主軸完全吻合，不能有空隙。如果必須使用異徑管，則應注意：異徑管尺寸必須與鋸片主體厚度、鋸片內孔直徑以及工具主軸直徑相配。請儘可能使用鋸片隨附的異徑管。

鋸片直徑必須與符號上的數值相符。

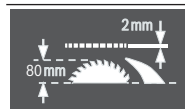


a 鋸片直徑的最大容許值是 254 mm。

b 劈開楔的厚度是 2 mm。

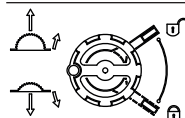
c 鋸齒的方向箭頭（即鋸片上的箭頭指示方向）必須與劈開楔上的箭頭指示方向一致。

d 更換鋸片時請注意：鋸切寬度不得小於 2.4 mm 且鋸片主體的厚度不得大於 1.8 mm。否則劈開楔有卡在工件中之虞。



劈開楔的厚度是 2 mm。

能處理的最大工件高度是 80 mm。

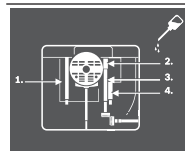


左邊：

為您指示降低（進入搬運位置）及升高（進入工作位置）鋸片時手搖桿應旋轉的方向。

右邊：

為您指示想要固定鋸片時制動桿應設定的位置以及調整垂直斜角時制動桿應設定的位置（鋸片可翻轉）。



視需要潤滑電動工具，請在指示的位置添加潤滑油。



絕緣等級 II 的電動工具代表該產品採用加強絕緣或是雙重絕緣的設計。

符號和它們的代表意義



CE 標章代表製造商認證此電動工具符合歐盟現行指令。

產品和功率描述



請詳讀所有安全注意事項和指示。如未遵守安全注意事項與指示，可能導致火災、人員遭受電擊及／或重傷。

請留意操作說明書中最前面的圖示。

依規定使用機器

本電動工具適合以站立的方式在軟木和硬木，塑合板和纖維板上進行縱向與橫向的直線鋸切。此時可加工的水平斜鋸角為 -30° 至 $+30^\circ$ ，可加工的垂直斜鋸角為 0° 至 45° 。

安裝合適的鋸片後，也可以鋸切鋁製型材和塑膠。

插圖上的機件

機件的編號和電動工具詳解圖上的編號一致。

- (1) 鋸片與平行擋塊之間的距離刻度尺
- (2) 鋸片與平行擋塊之間的距離刻度尺，拉出鋸台時
- (3) 角度擋塊
- (4) 鋸台
- (5) 角度擋塊的導槽
- (6) 護罩
- (7) 反彈制止裝置
- (8) 鋸台嵌件
- (9) 平行擋塊
- (10) 鋸台加寬件
- (11) 把手凹槽
- (12) 平行擋塊存庫
- (13) 防傾保護設計
- (14) 底座
- (15) 推棒
- (16) 制動桿，用來調整垂直方向的斜角鋸切角度
- (17) 用來升高和降低鋸片的手搖柄
- (18) 轉鈕
- (19) 起停開關的保護蓋
- (20) 鋸台加寬件的緊固握把
- (21) 推棒庫
- (22) 45° 斜鋸角擋塊（垂直）
- (23) 斜鋸角刻度尺（垂直）
- (24) 0° 斜鋸角擋塊（垂直）
- (25) 啟動鈕
- (26) 重新啟動按鈕
- (27) 劈開楔
- (28) 鋸片
- (29) 角度擋塊庫
- (30) 電線托架
- (31) 底座上的安裝孔
- (32) 安裝孔
- (33) 工具／反彈制止裝置存庫
- (34) 吸塵轉接頭
- (35) 環形扳手（10 mm；13 mm）
- (36) 鈎形扳手／開口扳手（10 mm）
- (37) 「底座」固定套件
- (38) 「防傾保護設計」固定套件
- (39) 「電動工具」固定套件
- (40) 劈開楔的插銷
- (41) 供鋸台嵌件使用的開口
- (42) 反彈制止裝置按鈕
- (43) 平行擋塊的緊固握把
- (44) 平行擋塊的 V 形導向件
- (45) 鋸台上供平行擋塊使用的 V 形導槽
- (46) 平行擋塊的導槽
- (47) 輔助平行擋塊
- (48) 「輔助平行擋塊」固定套件
- (49) 角度擋塊的導引軌
- (50) 型材擋軌
- (51) 型材擋軌的蝶翼螺母
- (52) 下方鋸片護蓋
- (53) 下方鋸片護蓋的固定螺栓
- (54) 鋸台嵌件把手孔
- (55) 緊固法蘭
- (56) 鋸片的六角螺栓
- (57) 墊片
- (58) 配接法蘭
- (59) 角度指針（垂直）
- (60) 偏好斜鋸角的鎖定旋鈕（水平）
- (61) 角度擋塊上的角度指針
- (62) 放大鏡
- (63) 鋸台上的距離指針
- (64) 可調整 0° 擋塊的十字螺栓
- (65) 角度指針的固定螺栓（垂直）
- (66) 可調整 45° 擋塊的十字螺栓
- (67) 用以將鋸片調成平行的前方內六角螺栓（5 mm）
- (68) 用以將鋸片調成平行的後方內六角螺栓（5 mm）
- (69) 固定鋸台之距離指針的螺栓
- (70) 用以將平行擋塊調成平行的內六角螺栓（5 mm）
- (71) 固定平行擋塊之距離指針的螺栓

技術性數據

桌上型圓鋸機		GTS 254	GTS 254
產品機號		3 601 M45 080 3 601 M45 0L0 3 601 M45 0K0 3 601 M45 0F0	3 601 M45 0C0
額定輸入功率	W	1800	1800
無負載轉速	min ⁻¹	4300	3800
起動限流器		●	●
重量符合 EPTA-Procedure 01:2014	kg	24.4	24.4
絕緣等級		□/II	□/II
尺寸 (包含可拆式機件)			
寬度 x 深度 x 高度	mm	690 x 620 x 1000	690 x 620 x 1000
適用鋸片的尺寸			
鋸片直徑	mm	254	254
鋸片主體的厚度	mm	< 1.8	< 1.8
最小鋸齒厚度 / 鋸齒斜度	mm	> 2.4	> 2.4
孔徑	mm	25.4	25.4

最大工件尺寸：(參見「最大工件尺寸」, 頁 68)

本說明書提供的參數是以 230 伏特為依據，於低電壓地區，此數據有可能不同。

安裝

- ▶ 請避免意外啟動電動工具。安裝時以及進行電動工具的維護修理工作時，機器的插頭都不可以插在插座中。

供貨範圍

初次使用本電動工具之前，先檢查以下各部件是否包含在供貨範圍中：

- 已裝上鋸片 (28) 的桌上型圓鋸機
- 「電動工具」固定套件(39) (8 顆固定螺栓、8 個墊片)
- 底座 (14)
- 「底座」固定套件(37) (16 顆固定螺栓、16 個墊片、16 個扣環、16 個螺母)
- 防傾保護設計 (13)
- 「防傾保護設計」固定套件(38) (4 顆固定螺栓、8 個墊片、4 個扣環、4 個螺母)
- 角度擋塊 (3)
- 型材擋軌 (50)
- 「型材擋軌」的蝶翼螺母 (51)
- 平行擋塊 (9)
- 輔助平行擋塊 (47)
- 「輔助平行擋塊」固定套件(48) (2 顆固定螺栓、2 個蝶翼螺母)
- 劈開楔 (27) 和已裝上的 (6)
- 反彈制止裝置 (7)
- 環形扳手 (35)
- 鉤形扳手 / 開口扳手 (36)
- 推棒 (15)

鋸台嵌件 (8)

提示：檢查電動工具是否有壞損之處。

使用電動工具之前，必須仔細檢查防護裝置或輕微損壞的零件是否仍然運作正常。檢查活動零件是否功能正常、沒有被卡死，以及是否有任何零件有否受損。所有零件都必須安裝正確，並且符合規定以確保機器能夠正常運作。

損壞的防護裝置和零件必須按照規定交給合格的專業修理廠修理或更換。

固定式安裝或活動式安裝

- ▶ 為了能夠穩定地操作機器，正式使用機器之前，必須把電動工具固定在平坦、穩固的工作平面上 (例如工作桌)。

底座和防傾保護設計包含在內的安裝方式 (請參考圖 a1-a3)

請使用「底座」固定套件 (37)、「防傾保護設計」固定套件 (38) 和「電動工具」固定套件 (39) 進行安裝

- 將底座 (14) 旋接在一起。旋緊螺栓。
- 將防傾保護設計 (13) 旋接至底座上。
- 將電動工具套至底座上，此時防傾保護設計應要朝後。
- 將電動工具固定於底座上。此時，請您使用電動工具上的側面開孔 (31) 以及底座上的孔穴。

無底座之安裝方式 (請參考圖 b)

- 使用合適的夾鉗把電動工具固定在工作平面上。必須利用安裝孔 (32) 來進行固定。

安裝各部件

- 小心地從包裝中取出所有隨附零件。

- 拆除電動工具和隨附配件上的所有包裝材料。
 - 注意，必須拆除馬達缸體下方的包裝材料。
- 直接固定在機殼上的機件如下：反彈制止裝置 (7)、環形扳手 (35)、鉤形扳手/開口扳手 (36)、角度擋塊 (3)、平行擋塊 (9)、含固定套件 (48) 的輔助平行擋塊 (47)、護罩 (6)、推棒 (15)、鋸片 (28)。
- 您若需要使用其中任一機件，請小心地將它從收納位置上取出。

安裝劈開楔 (請參考圖 c)

提示：必要時，請在移至正確工作位置前，清潔所有所有待安裝的零部件。

- 必要時請拆卸鋸台嵌件 (8)。
- 將手搖桿 (17) 順時針轉到底，讓鋸片 (28) 升至鋸台上方可到達的最高位置。
- 使用環形扳手 (35) 鬆開插銷 (40)。
- 裝入劈開楔 (27) 並將其往下推到底。
- 使用環形扳手 (35) 將插銷 (40) 重新旋緊。
- 請安裝鋸台嵌件 (8)。

安裝鋸台嵌件 (請參考圖 d)

- 將鋸台嵌件 (8) 掛入至工具槽的後方開口 (41) 內。
- 將鋸台嵌件往下推入。
- 按壓鋸台嵌件，使它的前端卡入工具槽內。

安裝反彈制止裝置 (請參考圖 e)

此反彈制止裝置 (7) 可在發生反彈時防止工件朝操作者方向噴飛。此時，棘爪的尖齒會咬進工件表面裡，將它攔住。

- 請按壓反彈制止裝置 (7) 的按鈕 (42)。於是導向銷便會隨之撤回。
- 將反彈制止裝置 (7) 移至劈開楔 (27) 上方，然後放開按鈕 (42)。
- 將反彈制止裝置往護罩方向推，直到導向銷卡入劈開楔頂部的後孔中。
- 請檢查導向銷是否牢牢地與開孔接合在一起以及反彈制止裝置是否正常運作。小心地扳開反彈制止裝置的棘爪。放開時，彈簧式棘爪必須往下降並碰觸到鋸台嵌件。

安裝平行擋塊 (請參考圖 f)

平行擋塊 (9) 可以設置在鋸片的左邊或是右邊。

- 鬆開平行擋塊 (9) 的緊固握把 (43)。V 形導向件 (44) 將隨之鬆開。
 - 請先將平行擋塊的 V 形導向件裝入至鋸台導槽 (45) 內。接著再調整平行擋塊在鋸台前方導槽 (46) 中的位置。
- 現在您可以隨心所欲地移動平行擋塊。
- 若要固定平行擋塊，請將緊固握把 (43) 往下壓。

安裝輔助平行擋塊 (請參考圖 g)

鋸切細長形工件及鋸切垂直斜鋸角時，必須在平行擋塊 (9) 上安裝輔助平行擋塊 (47)。

輔助平行擋塊可視需要安裝在平行擋塊 (9) 的左邊或右邊。

安裝時，請您使用「輔助平行擋塊」固定套件 (48) (2 顆固定螺栓、2 個蝶翼螺母)。

- 將固定螺栓穿過平行擋塊 (9) 的側面開孔後推入。
- 此時螺栓頭可做為導引輔助平行擋塊之用。
- 將輔助平行擋塊 (47) 推至固定螺栓的螺栓頭上方。
- 透過蝶翼螺母加螺栓旋緊。

安裝角度擋塊 (請參考圖 h1-h2)

將角度擋塊 (3) 的導引軌 (49) 套進鋸台上專門為其設置的其中一個導槽 (5) 內。

工件較長時，為確保其穩固靠置，可利用型材擋軌 (50) 延伸角度擋塊。

- 請您視需要利用蝶翼螺母 (51) 將型材擋軌安裝在角度擋塊上。

吸除廢塵/料屑

含鉛顏料、部分木材種類、礦石和金屬的加工廢塵有害健康。機器操作者或施工現場附近的人員如果接觸、吸入這些廢塵，可能會引發過敏反應或感染呼吸道疾病。

某些塵埃 (例如加工橡木或山毛櫸的廢塵) 可能致癌，特別是與處理木材的添加劑 (例如木材的防腐劑等) 結合之後。唯有受過專業訓練的人才能夠進行含石棉物料的加工。

- 儘可能使用適合物料的吸塵裝置。
 - 工作場所要保持空氣流通。
 - 建議佩戴 P2 過濾等級的口罩。
- 請留意並遵守貴國的物料加工相關法規。
- 廢塵/料屑收集裝置可能被廢塵、廢屑或工件殘屑堵塞。
- 關閉電動工具，並且從插座中拔出插頭。
 - 請您稍候，讓鋸片完全停止轉動。
 - 找出造成堵塞的原因，並排除障礙。

▶ **避免讓工作場所堆積過多的塵垢。** 塵埃容易被點燃。

▶ **為了避免鋸切鋁材時釀成火災，請將出屑口清除乾淨並且不要使用集塵袋。**

將出屑口清除乾淨 (請參考圖 i)

您可打開 (52) 下方鋸片護蓋，以便去除工件碎片及大塊鋸屑。

- 關閉電動工具，並且從插座中拔出插頭。
- 請您稍候，讓鋸片完全停止轉動。
- 將電動工具側傾。
- 鬆開固定螺栓 (53) 然後打開下方鋸片護蓋 (52)。
- 清除工件的碎塊和鋸屑。
- 闔上下方鋸片護蓋，然後將它重新鎖緊。
- 把電動工具調整至工作位置。

外接的吸塵裝備 (請參考圖 j)

將合適的吸塵器軟管牢牢套入吸塵轉接頭 (34) 中。

根據工件材質選擇合適的吸塵器。

吸集可能危害健康、可能致癌或乾燥的廢塵時，務必使用特殊吸塵器。

更換鋸片 (請參考圖 k1-k4)

- ▶ 維修電動工具或換裝零、配件之前，務必從插座上拔出插頭。
- ▶ 安裝鋸片時務必穿戴防護手套。人員可能有受傷之虞。
- ▶ 所使用的鋸片的最高許可轉速必須高於電動工具的無負載轉速。
- ▶ 根據本說明書中以及本電動工具上載述的技術數據，選擇合適的鋸片。必須選用通過 EN 847-1 認證而且具有此一認證標示的鋸片。
- ▶ 只能使用由本電動工具製造商推薦且適用於加工材料的鋸片。
- ▶ 請勿使用高合金快速鋼 (HSS) 材質的鋸片。此類鋸片容易折斷。

拆卸鋸片

- 將手搖桿 (17) 順時針轉到底，讓鋸片 (28) 升至鋸台上方可到達的最高位置。
- 將護罩 (6) 往後翻。
- 從把手孔 (54) 撬開鋸台嵌件 (8) 然後將它從工具槽中取出。
- 使用環形扳手 (35) 沿逆時針方向將六角螺栓 (56) 旋開，在此同時要用鈎形扳手 (36) 抵住緊固法蘭 (55)。
- 取下墊片 (57) 及緊固法蘭 (55)。
- 取出鋸片 (28)。

安裝鋸片

- 必要時，請在安裝前清潔所有待安裝的零部件。
- 將新的鋸片裝到工具主軸的配接法蘭 (58) 上。
- 提示：**請勿使用尺寸過小的鋸片。鋸片與劈開楔之間的最大徑向間隙為 3 - 8 mm。
- ▶ 安裝時請注意，鋸齒的鋸切方向 (即鋸片上的箭頭指示方向) 必須與護蓋上的箭頭指示方向一致！
 - 裝上固定法蘭 (55)、墊片 (57) 及六角螺栓 (56)。
 - 使用環形扳手 (35) 沿順時針方向旋緊六角螺栓 (56)，在此同時要用鈎形扳手 (36) 抵住緊固法蘭。
 - 重新裝入鋸台嵌件 (8)。
 - 將護罩 (6) 往前翻。

操作

- ▶ 維修電動工具或換裝零、配件之前，務必從插座上拔出插頭。

鋸片的搬運位置和工作位置

搬運位置

- 拆下護罩 (6)、取出鋸台嵌件 (8) 並將劈開楔 (27) 移至最低位置。重新裝入鋸台嵌件 (8)。
- 逆時針旋轉手搖桿 (17)，直到鋸片 (28) 的鋸齒沈入至鋸台 (4) 下。

- 將鋸台加寬件 (10) 往內完全推入。將緊固握把 (20) 往下壓。鋸台加寬件將因此固定。

工作位置

- 將劈開楔 (27) 移至鋸片正中間上方的最高位置，裝入鋸台嵌件 (8) 然後再安裝護罩 (6)。
- 順時針旋轉手搖桿 (17)，直到鋸片 (28) 的上方鋸齒位於工件上方約 3 - 6 mm 的位置。

調整垂直與水平斜鋸角

為確保精準鋸切，頻繁使用之後必須檢查電動工具的基本設定，必要時須適度調整。

調整垂直斜鋸角 (鋸片) (請參考圖 A)

垂直斜鋸角的調整範圍在 0° 至 45° 之間。

- 逆時針旋轉制動桿 (16)，以便將它鬆開。

提示：當制動桿完全鬆開的那一時刻，鋸片會因為地心引力而傾斜約 30° 左右。

- 沿著連桿拉起或按壓手轉輪 (18)，直到角度指針 (59) 指在所需的垂直斜鋸角上。
- 讓手轉輪保持在這個位置上，然後將制動桿 (16) 重新旋緊。

為能快速準確地調整至垂直方向基本角度 0° 和 45°，出貨時已裝上調好的擋塊 ((24)、(22))。

調整水平斜鋸角 (角度擋塊) (請參考圖 B)

水平斜鋸角的調整範圍在 30° (左側) 與 30° (右側) 之間。

- 鎖定旋鈕 (60) 若已鎖上，請將它鬆開。
- 轉動角度擋塊，直到角度指針 (61) 指在所需的斜鋸角上。
- 將鎖定旋鈕 (60) 重新鎖緊。

加大鋸台

如果工件又長又重，必須在它懸空的末端底下墊上襯墊或做好支撐。

鋸台加寬件 (請參考圖 C)

鋸台加寬件 (10) 可將鋸台 (4) 往右加寬至最大 950 mm。

- 將鋸台加寬件的緊固握把 (20) 往上拉到底。
- 將鋸台加寬件 (10) 往外拉至所需長度。
- 將緊固握把 (20) 往下壓。鋸台加寬件將因此固定。

調整平行擋塊

平行擋塊 (9) 可以設置在鋸片的左邊或是右邊。放大鏡 (62) 裡的標線所指位置即是，鋸片與平行擋塊之間的目前距離刻度 (1)。

依照您的需要，將平行擋塊放置到鋸片的任一側 (參見「安裝平行擋塊 (請參考圖 f)」, 頁 66)。

調整平行擋塊

不拉出鋸台

- 鬆開平行擋塊 (9) 的緊固握把 (43)。移動平行擋塊，使放大鏡 (62) 裡的標線指在所需的鋸片間隔距離上。

若不拉出鋸台，則應以刻度尺 (1) 上所標示的數字為準。

- 若要固定位置，請將緊固握把 (43) 重新往下壓。

調整平行擋塊

拉出鋸台 (請參考圖 D)

- 把平行擋塊放在鋸片的右側。
- 移動平行擋塊，使放大鏡 (62) 裡的標線指在刻度尺的 (1) 28 cm 位置上。
- 若要固定位置，請將緊固握把 (43) 重新往下壓。
- 將鋸台加寬件的緊固握把 (20) 往上拉到底。
- 將鋸台加寬件 (10) 往外拉，使距離指示器 (63) 指在所需的鋸片間隔距離上，請以刻度尺 (2) 為準。
- 將緊固握把 (20) 往下壓。
- 鋸台加寬件將因此固定。

調整輔助平行擋塊 (請參考圖 E)

鋸切細長形工件及鋸切垂直斜鋸角時，必須在平行擋塊 (9) 上安裝輔助平行擋塊 (47)。

輔助平行擋塊可視需要安裝在平行擋塊 (9) 的左邊或右邊。

鋸切時工件可能卡在平行擋塊與鋸片之間，往上移動的鋸片會鉤住該工件並將其向外拋出。

因此要調整好輔助平行擋塊，須讓導引末端位在鋸片的最前端鋸齒與劈開楔前緣之間。

- 其做法是：鬆開固定套件 (48) 的所有蝶翼螺母，並適當移動輔助平行擋塊。
- 重新旋緊蝶翼螺母。

操作機器

- ▶ **注意電源的電壓！** 電源的電壓必須和電動工具銘牌上標示的電壓一致。

啟動 (請參考圖 F1)

- 將安全掀蓋 (19) 往上翻。
- 若要讓機器運轉，請按壓綠色的啟動鈕 (25)。
- 讓安全掀蓋 (19) 自行落下，回到原位。

關閉 (請參考圖 F2)

- 按壓安全掀蓋 (19)。

過載保護

電動工具配備過載保護裝置。只要按照規定使用，電動工具就不可能過載。萬一負載過重，此一電子裝置便會將電動工具關機。

若想讓電動工具重新運轉，請進行以下步驟：

- 讓電動工具至少冷卻 10 分鐘。
- 按下重新啟動按鈕 (26)，接著重新啟動電動工具。

停電

本機器的起停開關是所謂的零電壓開關。它可以防止電動工具在停電之後 (例如在操作中途拔出電源插頭) 自行起動。

之後若想讓電動工具重新運轉，必須再次按壓綠色啟動鈕 (25)。

作業注意事項

一般性的鋸切指示

- ▶ 進行任何鋸切之前必須先確定鋸片絕對不會碰觸擋塊或其它機件。
- ▶ 使用本電動工具進行挖槽或壓鉚時，請務必搭配適當的防護裝置 (例如隧道式防護罩、防彈止回羽毛板)。
- ▶ 請勿使用本電動工具進行挖槽作業 (即工件上的凹槽未延伸至邊緣)。

保護鋸片，以免受遭衝擊和碰撞。不可以側壓鋸片。

劈開楔必須與鋸片呈同一直線，以防止工件卡死。不可以加工已被拉扯移位的工件。為了能緊靠在平行擋塊上，工件至少必須具備一道筆直的邊緣。

推棒一律要存放在電動工具上。

操作者的位置 (請參考圖 G)

- ▶ 請勿站在鋸片的延伸線上。隨時站在鋸片旁有護欄的那一側。反彈會使加工件高速飛向站在鋸片延伸線上的人員。

- 手掌、手指和手臂必須遠離轉動中的鋸片。

請遵照以下各項指示：

- 使用雙手握好工件並將工件牢牢地壓在鋸台上。
- 鋸切細長形工件及鋸切垂直斜鋸角時，請務必使用隨附的推棒 (15) 和輔助平行擋塊 (47)。

最大工件尺寸

垂直斜鋸角	最大工件高度 [mm]
0°	80
45°	55

鋸切

鋸切直線

- 將平行擋塊 (9) 調至所需的鋸切寬度。
- 將工件放到鋸台上、護罩 (6) 前方。
- 利用手搖桿 (17) 將鋸片升高或降低，使鋸片 (28) 的上方鋸齒位於工件上方約 3 - 6 mm 的位置。
- 啟動電動工具。
- 鋸切工件時必須施力均勻。
- 如果用力過猛，鋸片的齒尖可能會過熱而造成工件受損。
- 關閉電動工具並等待鋸片完全停止轉動。

鋸切垂直斜鋸角

- 將鋸片調整所需的垂直斜鋸角。
- 鋸片若往左傾，則平行擋塊 (9) 必須位於鋸片的右邊。
- 相關工作步驟請遵循：(參見「鋸切直線」，頁 68)

鋸切水平斜鋸角 (請參考圖 H)

- 請到角度擋塊 (3) 上，設定好所需的水平斜鋸角。

- 放上工件，請讓它貼靠型材擋軌 (50) 上。型材不可以放在鋸線之上。出現這種情況時，請鬆開蝶翼螺母 (51) 並移動型材擋軌的位置。
- 利用手搖桿 (17) 將鋸片升高或降低，使鋸片 (28) 的上方鋸齒位於工件上方約 3 - 6 mm 的位置。
- 啟動電動工具。
- 一隻手將工件抵住型材擋軌 (50)，另一隻手放在鎖定旋鈕 (60) 上將角度擋塊沿著導槽 (3) 慢慢往前推。
- 關閉電動工具並等待鋸片完全停止轉動。

檢查和調整基本設定

為確保精準鋸切，頻繁使用之後必須檢查電動工具的基本設定，必要時須適度調整。

檢查時不但要具備足夠的經驗，而且得使用特殊工具。

博世客戶服務中心能夠既快速又可靠地執行這項工作。

調整垂直方向的 0°/45° 基本斜鋸角擋塊

- 把電動工具調整至工作位置。
- 調整鋸片的 0° 垂直斜鋸角。

檢查 (請參考圖 I)

- 請將量角規設為 90°，然後將它放置到鋸台 (4) 上。

量角規的柄部必須全長與鋸片 (28) 齊平。

調整 (請參考圖 I2)

- 鬆開螺栓 (64)。於是您就能移動 0° 擋塊 (24) 了。
- 鬆開制動桿 (16)。
- 將手轉輪 (18) 推向 0° 擋塊，使量角規的柄部全長與鋸片齊平。
- 讓手轉輪保持在這個位置上，然後將制動桿 (16) 重新旋緊。
- 將螺栓 (64) 重新旋緊。

調整後，若角度指針 (59) 未與刻度尺 (23) 的 0° 記號呈一直線，請用一般市售十字螺絲起子鬆開螺栓 (65)，將角度指針對準 0° 記號。

請針對 45° 垂直斜鋸角，重複上述工作步驟 (鬆開螺栓 (66)；挪動 45° 擋塊 (22))。此時，不得重新調整角度指針 (59)。

確認鋸片與角度擋塊導槽之間是否平行 (請參考圖 J)

- 把電動工具調整至工作位置。

檢查

- 用鉛筆標出從鋸台嵌件後面露出的第一顆左側鋸齒。
- 請將量角規設為 90°，然後將它靠在導槽 (5) 邊緣上。
- 移動量角規的柄部，讓它觸及做上記號的那顆鋸齒，然後記下鋸片與導槽之間間隔距離。
- 轉動鋸片，使做上記號的那顆鋸齒剛好露出在鋸台嵌件前方。
- 沿著導槽移動量角規，讓它解及做上記號的那顆鋸齒。

- 再度測量鋸片與導槽之間的距離。

這兩個測量值必須相同。

調整

- 使用內六角扳手鬆開鋸台前端的內六角螺栓 (67) 以及鋸台後端的內六角螺栓 (68)。
- 小心地移動鋸片，使它與導槽 (5) 平行。
- 重新旋緊所有螺栓 (67) 和 (68)。

調整鋸台的距離指示器 (請參考圖 K)

- 把平行擋塊放在鋸片的右側。移動平行擋塊，使放大鏡 (62) 裡的標線指在下方刻度尺的 28 cm 位置上。若要固定位置，請將緊固握把 (43) 重新往下壓。
- 將緊固握把 (20) 往上完全提起，並將鋸台加寬件 (10) 往外拉到底。

檢查

距離指示器 (63) 在刻度尺 (2) 上所指著的讀數必須與刻度尺 (1) 上放大鏡 (62) 裡標線所指的數值相同。

調整

- 將鋸台加寬件 (10) 往外拉到底。
- 用十字螺絲起子鬆開螺栓 (69)，然後將距離指示器 (63) 對準上方刻度尺 (1) 的 28 cm 記號。

將平行擋塊調整成平行 (請參考圖 L)

- 把電動工具調整至工作位置。
- 拆下反彈制止裝置 (7)，然後將護罩 (6) 往後翻。
- 鬆開平行擋塊的緊固握把 (43)，然後將它移至與鋸片接觸為止。

檢查

平行擋塊 (9) 必須全長接觸鋸片。

調整

- 使用內六角扳手鬆開內六角螺栓 (70)。
- 小心地將平行擋塊 (9) 移動至全長接觸鋸片為止。
- 讓平行擋塊保持在這個位置上，然後將緊固握把 (43) 重新往下推。
- 將內六角螺栓 (70) 重新旋緊。

調整平行擋塊的放大鏡 (請參考圖 L)

- 把電動工具調整至工作位置。
- 拆下反彈制止裝置 (7)，然後將護罩 (6) 往後翻。
- 從右側將平行擋塊 (9) 移至接觸鋸片為止。

檢查

放大鏡 (62) 的標線必須與刻度尺 (1) 的 0 mm 記號呈一直線。

調整

- 請用十字螺絲起子鬆開螺栓 (71)，然後將標線對準 0 mm 記號。

收納與搬運

收納機件 (請參考圖 M-N)

本電動工具也具備機件收納功能，您可以將某些機件直接固定在電動工具上。

- 將輔助平行擋塊 (47) 從平行擋塊 (9) 上鬆開。

- 將所有零散的機件插入至機殼上各自的專屬收納位置 (詳見下表)。

圖 片	機件	收納位置
M	環形扳手 (35)	插進工具存庫 (33) 裡
M	鈎形扳手/開口 扳手 (36)	插進工具存庫 (33) 裡
M	反彈制止裝置 (7)	插進工具存庫 (33) 裡
M	附帶型材擋軌 (50) 的角度擋塊 (3)	推入存庫 (29) 的托架內
N	已裝上輔助平行 擋塊 (47) 的平 行擋塊 (9)	放入工具存庫 (12) 裡
N	推棒 (15)	插進工具存庫 (21) 裡

維修和服務

維修和清潔

- ▶ 維修電動工具或換裝零、配件之前，務必從插座上拔出插頭。
- ▶ 電動工具和通風口都必須保持清潔，這樣才能夠提高工作品質和安全性。

如果必須更換連接線，請務必交由 **Bosch** 或者經授權的 **Bosch** 電動工具顧客服務執行，以避免危害機器的安全性能。

清潔

每次工作結束後都要使用壓縮空氣或軟刷清除機器上的灰塵和鋸屑。

潤滑電動工具



潤滑劑：

機油 SAE 10/SAE 20

- 視需要潤滑電動工具，請在指示的位置添加潤滑油。

經過授權的博世客戶服務中心能夠既快速又可靠地執行上述工作。

潤滑油、清潔劑必須以符合環保要求的方式進行廢棄處置。請您務必遵守相關法律規定。

降低噪音的措施

製造商提供的方法：

- 緩速起動
 - 提供特別為了降低噪音而研發的鋸片
- 操作者自己能做的措施：
- 將機器安裝在穩固的工作面上，可以降低震動
 - 使用具備降低噪音功效的鋸片
 - 定期清潔鋸片和電動工具

配件

	產品機號
角度擋塊	2 610 015 508
推棒	1 600 A02 2D7

適用於木材與木板、嵌板和木條的鋸片

產品機號

鋸片 254 x 25.4 mm，40 個鋸齒	2 608 640 901
鋸片 254 x 25.4 mm，60 個鋸齒	2 608 640 902

顧客服務處和顧客諮詢中心

本公司顧客服務處負責回答有關本公司產品的維修、維護和備用零件的問題。以下的網頁中有分解圖和備用零件相關資料：www.bosch-pt.com
如果對本公司產品及其配件有任何疑問，博世應用諮詢小組很樂意為您提供協助。
當您需要諮詢或訂購備用零件時，請務必提供本產品型號銘牌上 10 位數的產品機號。

台灣

台灣羅伯特博世股份有限公司
建國北路一段90號6樓
台北市10491
電話: (02) 7734 2588
傳真: (02) 2516 1176
www.bosch-pt.com.tw

製造商地址:

Robert Bosch Power Tools GmbH
羅伯特·博世電動工具有限公司
70538 Stuttgart / GERMANY
70538 斯圖加特/ 德國

以下更多客戶服務處地址：

www.bosch-pt.com/serviceaddresses

廢棄物處理

必須以符合環保的方式，回收再利用損壞的機器、配件和廢棄的包裝材料。



不可以把電動工具丟入家庭垃圾中。

ไทย

คำเตือนเพื่อความปลอดภัย

คำเตือนเพื่อความปลอดภัยทั่วไปในการใช้เครื่องมือไฟฟ้า

คำเตือน อ่านคำเตือนเพื่อความปลอดภัย คำแนะนำ ภาพประกอบ และข้อมูล

จำเพาะทั้งหมดที่จัดส่งมาพร้อมกับเครื่องมือไฟฟ้า
การไม่ปฏิบัติตามคำแนะนำทั้งหมดที่ระบุไว้ด้านล่าง

ล่างนี้อาจทำให้ถูกไฟฟ้าดูด เกิดไฟไหม้ และ/หรือได้รับบาดเจ็บอย่างร้ายแรง

เก็บรักษา ค่าเตือน และ คำสั่งทั้งหมดสำหรับเปิดอ่านในภายหลัง

คำว่า "เครื่องมือไฟฟ้า" ในคำเตือนหมายถึง เครื่องมือไฟฟ้าของท่านที่ทำงานด้วยพลังงานไฟฟ้าจากแหล่งจ่ายไฟหลัก (มีสายไฟฟ้า) และเครื่องมือไฟฟ้าที่ทำงานด้วยพลังงานไฟฟ้าจากแบตเตอรี่ (ไร้สาย)

ความปลอดภัยในสถานที่ทำงาน

- ▶ **รักษาสถานที่ทำงานให้สะอาดและมีไฟส่องสว่างดี** สถานที่ที่มีมืดหรือรกรุงรังนำมาซึ่งอุบัติเหตุ
- ▶ **อย่าใช้เครื่องมือไฟฟ้าทำงานในสภาพบรรยากาศที่จุดติดไฟได้** เช่น ในที่มีมีของเหลวไวไฟ ก๊าซ หรือฝุ่น เมื่อใช้เครื่องมือไฟฟ้าจะเกิดประกายไฟซึ่งอาจจุดฝุ่นหรือไอให้ลุกเป็นไฟได้
- ▶ **ขณะใช้เครื่องมือไฟฟ้าทำงาน ต้องกันเด็กและผู้ยืนดูให้** ออกจากการหันเหความสนใจอาจทำให้ท่านขาดการควบคุมเครื่องมือได้

ความปลอดภัยเกี่ยวกับไฟฟ้า

- ▶ **ปลั๊กของเครื่องมือไฟฟ้าต้องเหมาะสมพอดีกับเต้าเสียบ** อย่าตัดแปลงปลั๊กไม่ว่าในลักษณะใดๆ อย่างเด็ดขาด อย่าใช้ปลั๊กพ่วงต่อใดๆ กับเครื่องมือไฟฟ้าที่มีสายดิน ปลั๊กที่ไม่ตัดแปลงและเต้าเสียบที่เข้ากันช่วยลดความเสี่ยงจากการถูกไฟฟ้าดูด
- ▶ **หลีกเลี่ยงอย่าให้ร่างกายสัมผัสกับพื้นผิวที่ต่อสายดินหรือ** ลงกราวด์ไว้ เช่น ท่อ เครื่องทำความร้อน เตา และตู้เย็น จะเสี่ยงอันตรายจากการถูกไฟฟ้าดูดมากขึ้นหากกระแสไฟฟ้าวิ่งผ่านร่างกายของท่านลงดิน
- ▶ **อย่าให้เครื่องมือไฟฟ้าถูกฝนหรืออยู่ในสภาพเปียกชื้น** หากน้ำเข้าในเครื่องมือไฟฟ้า จะเพิ่มความเสี่ยงจากการถูกไฟฟ้าดูด
- ▶ **อย่าใช้สายไฟฟ้าในทางที่ผิด** อย่าใช้สายไฟฟ้าเพื่อยก ดึง หรือถอดปลั๊กเครื่องมือไฟฟ้า กันสายไฟฟ้าออกจากความร้อน น้ำมัน ขอบแหลมคม หรือชิ้นส่วนที่เคลื่อนที่ สายไฟฟ้าที่ชำรุดหรือพันกันยุ่งเพิ่มความเสี่ยงจากการถูกไฟฟ้าดูด
- ▶ **เมื่อใช้เครื่องมือไฟฟ้าทำงานกลางแจ้ง ให้ใช้สายไฟ** ต่อที่เหมาะสมสำหรับงานกลางแจ้ง ช่วยลดอันตรายจากการถูกไฟฟ้าดูด
- ▶ **หากไม่สามารถหลีกเลี่ยงการใช้เครื่องมือไฟฟ้าทำงาน** ในสถานที่เปียกชื้นได้ ให้ใช้สวิตซ์

หตุต์ดวงจรเมื่อเกิดการรั่วไหลของไฟฟ้าจากสายดิน (RCD) การใช้สวิตซ์ตัดดวงจรเมื่อเกิดการรั่วไหลของไฟฟ้าจากสายดินช่วยลดความเสี่ยงต่อการถูกไฟฟ้าดูด

ความปลอดภัยของบุคคล

- ▶ **ท่านต้องอยู่ในสภาพเตรียมพร้อม ระมัดระวังในสิ่งที่** ท่านกำลังทำอยู่ และมีสติขณะใช้เครื่องมือไฟฟ้าทำงาน อย่าใช้เครื่องมือไฟฟ้าขณะที่ท่านกำลังเหนื่อย หรืออยู่ภายใต้การครอบงำของฤทธิ์ของยาเสพติด แอลกอฮอล์ และยา เมื่อใช้เครื่องมือไฟฟ้าทำงานในชั่วขณะที่ท่านขาดความเอาใจใส่อาจทำให้บุคคลบาดเจ็บอย่างรุนแรงได้
 - ▶ **ใช้อุปกรณ์ปกป้องร่างกาย** สวมแว่นตานิรภัยกันแสงมอ อุปกรณ์ปกป้อง เช่น หน้ากากกันฝุ่น รองเท้ากันลื่น หมวกแข็ง หรือประภททุกชิ้นเสียดังที่ใช้อย่างเหมาะสมกับสภาพการทำงาน จะลดการบาดเจ็บทางร่างกาย
 - ▶ **ป้องกันการติดเครื่องโดยไม่ตั้งใจ** ตรวจสอบให้แน่ใจว่าสวิตซ์อยู่ในตำแหน่งปิดก่อนเชื่อมต่อเข้ากับแหล่งจ่ายไฟ และ/หรือแบตเตอรี่แพ็ค ยกหรือถือเครื่องมือการถือเครื่องโดยใช้นิ้วหัวแม่มือ หรือเสียบปลั๊กไฟฟ้าขณะสวิตซ์เปิดอยู่ อาจนำไปสู่อุบัติเหตุที่ร้ายแรงได้
 - ▶ **นำเครื่องมือปรับแต่งหรือประแจภาคตัดออกก่อนเปิด** สวิตซ์เครื่องมือไฟฟ้า เครื่องมือหรือประแจภาคตัดที่วางอยู่กับส่วนของเครื่องที่กำลังหมุนจะทำให้บุคคลบาดเจ็บได้
 - ▶ **อย่าเอื้อมไกลเกินไป** ตั้งทำยีนที่มั่นคงและวางน้ำหนักให้สมดุลตลอดเวลา ในลักษณะนี้ท่านสามารถควบคุมเครื่องมือไฟฟ้าในสถานการณ์ที่ไม่คาดคิดได้ดีกว่า
 - ▶ **แต่งกายอย่างเหมาะสม** อย่าใส่เสื้อผ้าหลวมหรือสวมเครื่องประดับ เหน็บและเสื้อผ้าออกห่างจากชิ้นส่วนที่เคลื่อนที่ เสื้อผ้าหลวม เครื่องประดับ และผมยาวอาจเข้าไปติดในชิ้นส่วนที่เคลื่อนที่
 - ▶ **หากเครื่องมือไฟฟ้ามีข้อเชื่อมต่อกับเครื่องดูดฝุ่นหรือ** เครื่องเก็บผง ให้ตรวจสอบให้แน่ใจว่าได้เชื่อมต่อและใช้งานอย่างถูกต้อง การใช้อุปกรณ์ดูดฝุ่นช่วยลดอันตรายที่เกิดจากฝุ่นได้
 - ▶ **เมื่อใช้งานเครื่องบ่อยครั้งจะเกิดความคุ้นเคย** อย่าให้ความคุ้นเคยทำให้ท่านเกิดความชะล่าใจและละเลยกฎเกณฑ์ด้านความปลอดภัยในการใช้งานเครื่อง การทำงานอย่างไม่ระมัดระวังอาจทำให้เกิดการบาดเจ็บอย่างร้ายแรงภายในเสี้ยววินาที
- การใช้และการดูแลรักษาเครื่องมือไฟฟ้า**
- ▶ **อย่างฝืนกำลังเครื่องมือไฟฟ้า** ใช้เครื่องมือไฟฟ้าที่ถูกต้องตรงตามลักษณะงานของท่าน เครื่องมือไฟฟ้าที่ถูก

ต้องจะทำงานได้ดี

กว่าและปลอดภัยกว่าในระดับสมรรถภาพที่ออกแบบไว้

- ▶ **อย่าใช้เครื่องมือไฟฟ้าถ้าสวิตช์ไม่สามารถเปิดปิดได้**
เครื่องมือไฟฟ้าที่ไม่สามารถควบคุมการเปิดปิดด้วยสวิตช์ได้ เป็นเครื่องมือไฟฟ้าที่ไม่ปลอดภัยและต้องส่งซ่อมแซม
- ▶ **ก่อนปรับแต่งเครื่อง เปลี่ยนอุปกรณ์ประกอบ หรือเก็บเครื่องเข้าที่ ต้องถอดปลั๊กออกจากแหล่งจ่ายไฟ และ/หรือถอดแบตเตอรี่ที่คอกออกจากเครื่องมือไฟฟ้าหากถอดออกได้**
มาตรการป้องกันเพื่อความปลอดภัยนี้ช่วยลดความเสี่ยงจากการติดเครื่องโดยไม่ตั้งใจ
- ▶ **เมื่อเลิกใช้งานเครื่องมือไฟฟ้า ให้เก็บเครื่องไว้ในที่ที่เด็กหยิบไม่ถึง และไม่อนุญาตให้บุคคลที่ไม่คุ้นเคยกับเครื่องหรือบุคคลที่ไม่ได้อ่านคำแนะนำเหล่านี้ใช้เครื่อง**
เครื่องมือไฟฟ้าเป็นของอันตรายหากตกอยู่ในมือของผู้ใช้ที่ไม่ได้รับการฝึกฝน
- ▶ **บำรุงรักษาเครื่องมือไฟฟ้าและอุปกรณ์ประกอบ ตรวจสอบชิ้นส่วนที่เคลื่อนที่ว่าว่าง ไม่ตรงแนวหรือติดขัดหรือไม่ ตรวจสอบการแตกหักของชิ้นส่วนและสภาพอื่นใดที่อาจมีผลต่อการทำงานของเครื่องมือไฟฟ้า หากชำรุดต้องส่งเครื่องมือไฟฟ้าไปซ่อมแซมก่อนใช้งาน**
อุบัติเหตุหลายอย่างเกิดขึ้นเนื่องจากดูแลรักษาเครื่องไม่ดีพอ
- ▶ **รักษาเครื่องมือตัดให้คมและสะอาด**
หากบำรุงรักษาเครื่องมือที่มีขอบตัดแหลมคมอย่างถูกต้องจะสามารถตัดได้ลื่นไม่ติดขัดและควบคุมได้ง่ายกว่า
- ▶ **ใช้เครื่องมือไฟฟ้า อุปกรณ์ประกอบ เครื่องมือ และอุปกรณ์อื่นๆ ตรงตามคำแนะนำเหล่านี้ โดยคำนึงถึงเงื่อนไขการทำงานและงานที่จะทำ**
การใช้เครื่องมือไฟฟ้าทำงานที่ต่างไปจากวัตถุประสงค์การใช้งานของเครื่อง อาจนำไปสู่สถานการณ์ที่เป็นอันตรายได้
- ▶ **ดูแลคัมจับและพื้นผิวจับให้แห้ง สะอาด และปราศจากคราบน้ำมันและจาระบี**
คัมจับและพื้นผิวจับที่ลื่นทำให้หยิบจับได้ไม่ปลอดภัยและไม่สามารถควบคุมเครื่องมือในสถานการณ์ที่ไม่คาดคิด

การบริการ

- ▶ **ส่งเครื่องมือไฟฟ้าของท่านเข้ารับบริการจากช่างซ่อมที่มีคุณสมบัติเหมาะสม โดยใส่อะไหล่ที่เหมือนกันเท่านั้น**
ในลักษณะนี้ท่านจะแน่ใจได้ว่าเครื่องมือไฟฟ้าอยู่ในสภาพที่ปลอดภัย

คำเตือนเพื่อความปลอดภัยสำหรับเลื่อยตั้งโต๊ะ

คำเตือนเกี่ยวกับการป้องกัน

- ▶ **กระบ้งป้องกันต้องล็อกเข้าที่**
กระบ้งป้องกันต้องอยู่ในสภาพใช้งานได้และติดตั้งอย่างถูกต้อง ต้องซ่อมแซมหรือเปลี่ยนกระบ้งป้องกันที่หลุดหลวม ชำรุด หรือทำงานไม่ถูกต้อง
- ▶ **ใช้กระบ้งป้องกันใบเลื่อย ลิมแยก และอุปกรณ์ป้องกันการตีกลับทุกครั้ง**
ที่ทำการตัดผ่านชิ้นงานทั้งชิ้น สำหรับการตัดผ่านชิ้นงานทั้งชิ้นที่ใบเลื่อยตัดผ่านความหนาของชิ้นงานทั้งหมด กระบ้งป้องกันและอุปกรณ์ความปลอดภัยอื่นๆ จะช่วยลดความเสี่ยงต่อการบาดเจ็บ
- ▶ **ติดตั้งระบบการป้องกันกลับเข้าที่ทันทีหลังเสร็จสิ้นการทำงาน (เช่น การบาก)**
ซึ่งจำเป็นต้องถอดกระบ้งป้องกัน ลิมแยก และ/หรืออุปกรณ์ป้องกันการตีกลับออก กระบ้งป้องกัน ลิมแยก และอุปกรณ์ป้องกันการตีกลับช่วยลดความเสี่ยงต่อการบาดเจ็บ
- ▶ **ตรวจสอบให้แน่ใจว่าใบเลื่อยจะไม่สัมผัสกระบ้งป้องกัน ลิมแยก หรือชิ้นงานก่อนเปิดสวิตช์**
หากใบเลื่อยสัมผัสสิ่งเหล่านี้โดยไม่ตั้งใจ อาจทำให้เกิดสภาพที่เป็นอันตรายได้
- ▶ **ปรับตั้งลิมแยกตามข้ออธิบายไว้ในคู่มือการใช้งานนี้**
การเว้นระยะห่าง ตำแหน่ง และการวางแนวที่ไม่ถูกต้องอาจทำให้ลิมแยกไม่สามารถลดโอกาสที่จะเกิดการตีกลับ
- ▶ **เพื่อให้ลิมแยกและอุปกรณ์ป้องกันการตีกลับทำงาน**
ลิมแยกและอุปกรณ์ป้องกันการตีกลับจะทำงานไม่ได้ผลเมื่อตัดชิ้นงานที่มีขนาดสั้นเกินกว่าที่จะขบเข้ากับลิมแยกและอุปกรณ์ป้องกันการตีกลับ ภายใต้อะไหล่เหล่านี้ลิมแยกและอุปกรณ์ป้องกันการตีกลับจะไม่สามารถป้องกันการเกิดการตีกลับ
- ▶ **ใช้ใบเลื่อยที่เหมาะสมสำหรับลิมแยก**
เพื่อให้ลิมแยกทำงานได้อย่างถูกต้อง เส้นผ่าศูนย์กลางของใบเลื่อยต้องเข้ากันกับลิมแยกที่เหมาะสม และตัวใบเลื่อยต้องยาวกว่าความหนาของลิมแยก และความกว้างการตัดของใบเลื่อยต้องมากกว่าความหนาของลิมแยก

คำเตือนเกี่ยวกับขั้นตอนการตัด

- ▶ **⚠️ อันตราย: อย่าให้นิ้วหรือมือของท่านเข้าใกล้หรืออยู่ในแนวเดียวกับใบเลื่อยอย่างเด็ดขาด**
ในช่วงเวลาที่ขาดความสนใจใส่หรือการสั่นไหวอาจจุดมือของท่านเข้าหาใบเลื่อย และอาจทำให้ได้รับบาดเจ็บสาหัสได้
- ▶ **บ่อนชิ้นงานเข้าหาใบเลื่อยตรงข้ามกับทิศทางการหมุนเท่านั้น**
การบ่อนชิ้นงานไปทิศทางเดียวกับใบเลื่อยหมุนเหนือโต๊ะอาจส่งผลให้ชิ้นงานและมือของท่านถูกดูดเข้าไปในใบเลื่อย

- ▶ **อย่าใช้เกจวัดมุมในแนวระนาบ (mitre gauge) เพื่อป้อนชิ้นงานเมื่อตัดขอบ (ripping) อย่างเด็ดขาด และอย่าใช้รั้วขอบ (rip fence) เป็นตัวหยุดความยาวเมื่อตัดขวางเฉียง (cross cutting) ด้วยเกจวัดมุมในแนวระนาบ** การใช้รั้วขอบและเกจวัดมุมในแนวระนาบในเวลาเดียวกันเพื่อเคลื่อนนำชิ้นงานจะเพิ่มโอกาสให้ใบเลื่อยติดขัดและเกิดการตีกลับ
- ▶ **เมื่อตัดขอบ ให้ใช้แรงป้อนชิ้นงานระหว่างรั้วกับใบเลื่อยเสมอ ใช้ไม้ดันเมื่อระยะห่างระหว่างรั้วและใบเลื่อยน้อยกว่า 150 มม. และใช้บล็อกดันเมื่อระยะห่างนี้น้อยกว่า 50 มม.** อุปกรณ์ “ช่วยทำงาน” จะทำให้มือของท่านอยู่ห่างจากใบเลื่อยในระยะปลอดภัย
- ▶ **ใช้เฉพาะไม้ดันจากบริษัทผู้ผลิตหรือที่สร้างขึ้นตามคำแนะนำเท่านั้น** ไม้ดันนี้ช่วยให้มืออยู่ห่างจากใบเลื่อยอย่างเพียงพอ
- ▶ **อย่าใช้ไม้ดันที่ชำรุดหรือถูกตัดอย่างเด็ดขาด** ไม้ดันที่ชำรุดอาจแตกหักและทำให้มือของท่านลื่นไหลเข้าไปในใบเลื่อยได้
- ▶ **อย่าใช้ “มือเปล่า” ทำงานใดๆ ให้ใช้รั้วขอบหรือเกจวัดมุมในแนวระนาบเพื่อจัดตำแหน่งและเคลื่อนนำชิ้นงานเสมอ** “มือเปล่า” หมายถึงการใช้มือของท่านเพื่อหมุนหรือเคลื่อนนำชิ้นงานแทนรั้วขอบหรือเกจวัดมุมในแนวระนาบ การเลื่อยด้วยมือเปล่าจะทำให้ไม่ตรงแนว ติดขัด และเกิดการตีกลับ
- ▶ **อย่าเอื้อมมือไปรอบๆ หรือเหนือใบเลื่อยที่กำลังหมุนอย่างเด็ดขาด** การเข้าถึงชิ้นงานอาจทำให้สัมผัสใบเลื่อยที่กำลังเคลื่อนที่โดยไม่ตั้งใจ
- ▶ **สำหรับชิ้นงานที่ยาวและ/หรือกว้าง ให้หนุนเสริมชิ้นงานตรงด้านหลังและ/หรือด้านข้างของโต๊ะเลื่อยเพื่อให้ชิ้นงานไต่ระดับ** ชิ้นงานที่ยาวและ/หรือกว้างมักจะหมุนบนขอบโต๊ะ ทำให้สูญเสียการควบคุม ใบเลื่อยติดขัด และเกิดการตีกลับ
- ▶ **ป้อนชิ้นงานด้วยความเร็วสม่ำเสมอ อย่าโค้งงอหรือบิดชิ้นงาน** หากเกิดการติดขัด ให้ปิดสวิทช์เครื่องทันที ถอดปลั๊กไฟฟ้า จากนั้นจึงแก้ไขปัญหาการติดขัด หากชิ้นงานทำให้ใบเลื่อยติดขัด อาจเกิดการตีกลับหรือมอเตอร์หยุดกลางคัน
- ▶ **อย่าโยกย้ายชิ้นวัสดุที่ตัดออกในขณะที่เครื่องเลื่อยกำลังทำงาน** วัสดุอาจติดอยู่ระหว่างรั้วหรือภายในกระบี่ ป้องกันใบเลื่อย และใบเลื่อยอาจจุดนิ้วของท่านเข้าไปในใบเลื่อย ปิดสวิทช์เครื่องเลื่อยและรอให้ใบเลื่อยหยุดนิ่งก่อนนำวัสดุออกมา
- ▶ **ใช้รั้วเสริมวางชิดด้านบนโต๊ะเมื่อตัดขอบชิ้นงานที่มีความหนาน้อยกว่า 2 มม.** ชิ้นงานบางๆ อาจแทรกติดอยู่ใต้รั้วตัดขอบและทำให้เกิดการตีกลับ

การตีกลับและคำเตือนเกี่ยวกับข้อ

การตีกลับคือแรงสะท้อนกะทันหันของชิ้นงานเนื่องจากใบเลื่อยถูกบีบอัด ติดขัด หรือลั่นตดในชิ้นงานไม่ตรงแนวเดียวกันกับใบเลื่อย หรือเมื่อส่วนหนึ่งของชิ้นงานติดแน่นอยู่ระหว่างใบเลื่อยและรั้วตัดขอบ หรือวัตถุคงที่อื่นๆ บ่อยที่สุดในระหว่างการตีกลับคือชิ้นงานจะถูกยกขึ้นจากโต๊ะ โดยส่วนท้ายของใบเลื่อย และถูกดันไปยังผู้ใช้เครื่อง การตีกลับเป็นผลจากการใช้เครื่องเลื่อยผิดวัตถุประสงค์ และ/หรือมีสภาพหรือขั้นตอนการทำงานที่ไม่ถูกต้อง และสามารถหลีกเลี่ยงได้โดยเตรียมตัวป้องกันไว้ก่อนอย่างถูกต้องดังต่อไปนี้

- ▶ **อย่ายืนในแนวเดียวกันกับใบเลื่อยโดยตรงอย่างเด็ดขาด** ใหวางตำแหน่งของลำตัวของท่านไว้ด้านเดียวกันกับใบเลื่อยและรั้วเสมอ การตีกลับอาจดันชิ้นงานอย่างรวดเร็วไปยังทุกๆ คนที่ยืนอยู่ตรงหน้าและอยู่ในแนวเดียวกันกับใบเลื่อย
- ▶ **อย่าเอื้อมมือไปรอบๆ หรือเข้าด้านหลังของใบเลื่อยเพื่อดึงหรือหมุนชิ้นงานอย่างเด็ดขาด** การสัมผัสใบเลื่อยโดยไม่ตั้งใจอาจเกิดขึ้นได้ หรือการตีกลับอาจจุดนิ้วของท่านเข้าไปในใบเลื่อย
- ▶ **อย่าจับและกดชิ้นงานที่ถูกตัดออกเข้าหาใบเลื่อยที่กำลังหมุนอย่างเด็ดขาด** การกดชิ้นงานที่ถูกตัดออกเข้าหาใบเลื่อยจะทำให้เกิดการติดขัดและการตีกลับ
- ▶ **จัดแนวรั้วให้ขนานกับใบเลื่อย** รั้วที่ไม่ตรงแนวจะบีบอัดชิ้นงานเข้ากับใบเลื่อยและทำให้เกิดการตีกลับ
- ▶ **ใช้หวีดันชิ้นงาน (featherboard) เพื่อนำชิ้นงานเข้าหาโต๊ะและรั้วเมื่อไม่ตัดผ่านชิ้นงานทั้งชิ้น** เช่น การตัดบาก หวีดันชิ้นงานช่วยควบคุมชิ้นส่วนในกรณีที่เกิดการตีกลับ
- ▶ **หนุนแผ่นกระดานที่มีขนาดใหญ่เพื่อลดความเสี่ยงที่ใบเลื่อยจะถูกบีบอัดและตีกลับ** แผ่นชิ้นงานที่มีขนาดใหญ่มักจะห้อยตามความถ่วงน้ำหนักของตัวเอง ต้องวางตัวหนุนไว้ใต้ทุกส่วนของแผ่นกระดานที่ยื่นออกมาจากด้านบนบนโต๊ะ
- ▶ **ใช้ความระมัดระวังเป็นพิเศษเมื่อตัดชิ้นงานที่บิดงอเป็นตะปุ่มตะป่ำ โกงคิดรูป หรือไม่มีขอบตรงที่จะนำชิ้นงานไปตามเกจวัดมุมในแนวระนาบหรือตามแนวรั้วได้** ชิ้นส่วนที่ผิดรูป เป็นตะปุ่มตะป่ำ หรือบิดงอจะคลอนแคลนและทำให้รอยตัดไม่ตรงแนวกับใบเลื่อย ติดขัด และเกิดการตีกลับ
- ▶ **อย่าตัดชิ้นงานมากกว่าหนึ่งชิ้นโดยเรียงซ้อนกันในแนวตั้งหรือแนวนอนอย่างเด็ดขาด** ใบเลื่อยอาจยกชิ้นงานหนึ่งชิ้นหรือมากกว่าขึ้นมา และทำให้เกิดการตีกลับ
- ▶ **เมื่อสตาร์ทเครื่องเลื่อยอีกครั้งโดยมีใบเลื่อยอยู่ในชิ้นงาน** ใหวางใบเลื่อยไว้ตรงกลางในร่องตัดในลักษณะที่

พันเลื่อยไม่ขบเข้าในวัสดุ หากใบเลื่อยติดขัด ใบเลื่อยอาจยกขึ้นงานชิ้น และทำให้เกิดการตีกลับเมื่อเครื่องเลื่อยสแตร์ทอีกครั้ง

- ▶ รักษาใบเลื่อยให้สะอาด คม และมีการปรับตั้งอย่างเพียงพอ อย่าใช้ใบเลื่อยที่โก่งคดรูป หรือใบเลื่อยที่พันแตกหรือหักอย่างเด็ดขาด ใบเลื่อยที่คมและได้รับการปรับตั้งอย่างถูกต้องช่วยลดการติดขัด การสะดุดดับ และการตีกลับ

คำเตือนเกี่ยวกับขั้นตอนการทำงานของเลื่อยตั้งโต๊ะ

- ▶ ปิดสวิตช์เลื่อยตั้งโต๊ะและถอดสายไฟฟ้าออกเมื่อนำแผ่นปิดช่องใบเลื่อยออก เปลี่ยนใบเลื่อย หรือทำการปรับลิ้มแยก อุปกรณ์ป้องกันการตีกลับ หรือกระบังป้องกันใบเลื่อย และเมื่อปล่อยเครื่องทิ้งไว้โดยไม่ดูแล มาตรการป้องกันล่วงหน้าจะหลีกเลี่ยงอุบัติเหตุ
- ▶ อย่าปล่อยเลื่อยตั้งโต๊ะทำงานโดยไม่ดูแลอย่างเด็ดขาด ให้ปิดสวิตช์เครื่อง และอย่าเดินออกจากเครื่องจนกว่าเครื่องจะหยุดนิ่งอยู่กับที่ เครื่องเลื่อยที่ทำงานโดยไม่ดูแลคืออันตรายที่ไม่สามารถควบคุมได้
- ▶ วางเลื่อยตั้งโต๊ะในบริเวณที่มีแสงไฟสว่างและพื้นที่ราบเรียบที่ท่านสามารถยืนอย่างมั่นคงและสมดุล ควรติดตั้งเครื่องในพื้นที่ที่มีช่องว่างเพียงพอที่จะจัดการกับขนาดของชิ้นงานของท่านได้อย่างง่ายดาย บริเวณที่คับแคบและมืด และพื้นที่ลื่นและขรุขระนำมาซึ่งอุบัติเหตุ
- ▶ ทำความสะอาดและเอาซี่เลื่อยออกจากโต๊ะเลื่อยและ/หรืออุปกรณ์เก็บฝุ่นบ่อยๆ ซี่เลื่อยที่สะสมสามารถติดไฟได้และอาจลุกไหม้เองได้
- ▶ ต้องยึดเลื่อยตั้งโต๊ะไว้อย่างแน่นหนา เลื่อยตั้งโต๊ะที่ไม่ยึดไว้อย่างถูกต้องอาจเลื่อนหรือพลิกคว่ำ
- ▶ เอาเครื่องมือ เศษไม้ ฯลฯ ออกจากโต๊ะก่อนเปิดสวิตช์เลื่อยตั้งโต๊ะ สิ่งที่ทำให้เสียสมาธิหรือการติดขัดที่อาจเกิดขึ้นอาจเป็นอันตราย
- ▶ ใช้ใบเลื่อยที่มีขนาดและรูปทรงรูยึดที่ถูกต้องเสมอ (สีเหลี่ยมขนมเปียกปูนหรือกลม) ใบเลื่อยที่ไม่เข้าชุดกับอุปกรณ์ติดตั้งของเครื่องเลื่อยจะวิ่งไม่อยู่กึ่งกลางและทำให้สูญเสียการควบคุม
- ▶ อย่าใช้อุปกรณ์ติดตั้งใบเลื่อยที่ชำรุดหรือ ไม่ถูกต้อง เช่น หน้าแปลน ใบเลื่อย แหวนรอง โบลท์ หรือน็อตอย่างเด็ดขาด อุปกรณ์ติดตั้งเหล่านี้ถูกออกแบบเป็นพิเศษสำหรับเครื่องเลื่อยของท่าน เพื่อทำงานให้ได้ประสิทธิภาพสูงสุดและเพื่อความปลอดภัยในการทำงาน
- ▶ อย่ายืนบนเลื่อยตั้งโต๊ะอย่างเด็ดขาด อย่าใช้เลื่อยตั้งโต๊ะเป็นเก้าอี้บันได หากเครื่องล้มคว่ำหรือหากสัมผัสเครื่องมือตัดโดยไม่ตั้งใจ อาจทำให้ได้รับบาดเจ็บสาหัสได้

- ▶ ตรวจสอบให้แน่ใจว่าได้ติดตั้งใบเลื่อยโดยให้หมุนไปในทิศทางที่ถูกตอง อย่าใช้ล้อเจียรใน แปรงลาด หรือล้อขัดบนเลื่อยตั้งโต๊ะ การติดตั้งใบเลื่อยอย่างไม่ถูกต้องหรือการใช้อุปกรณ์ประกอบที่ไม่ได้แนะนำ อาจทำให้ได้รับบาดเจ็บสาหัสได้

คำแนะนำเพื่อความปลอดภัยเพิ่มเติม

- ▶ สวมถุงมือป้องกันอันตรายเมื่อติดตั้งใบเลื่อย อันตรายจากการบาดเจ็บ
- ▶ อย่าใช้ใบเลื่อยที่ทำจากเหล็กกล้าความเร็วสูง (High Speed Steel, HSS) ใบเลื่อยนี้แตกง่าย
- ▶ ใช้เฉพาะใบเลื่อยที่ตรงตามข้อกำหนดที่ระบุไว้ในคู่มือการใช้งานนี้และบนเครื่องมือไฟฟ้า และได้ผ่านการทดสอบตามมาตรฐาน EN 847-1 และทำเครื่องหมายไว้เท่านั้น
- ▶ อย่าใช้เครื่องมือไฟฟ้าโดยไม่ใส่แผ่นแทรกโต๊ะ เปลี่ยนแผ่นแทรกโต๊ะที่ชำรุด หากไม่ใช้แผ่นแทรกโต๊ะที่มีสภาพสมบูรณ์แบบ ท่านอาจได้รับบาดเจ็บจากใบเลื่อย
- ▶ รักษาสถานที่ทำงานให้สะอาด การผสมผสานของวัสดุเป็นอันตรายอย่างยิ่งฝุ่นละอองโลหะอาจเผาไหม้หรือระเบิดได้
- ▶ เลือกใบเลื่อยที่เหมาะสมสำหรับวัสดุที่ท่านต้องการตัด
- ▶ ใช้เฉพาะใบเลื่อยที่บริษัทผู้ผลิตเครื่องมือแนะนำให้ใช้ และต้องเป็นใบเลื่อยที่เหมาะสมสำหรับเลื่อยวัสดุที่ต้องการตัด
- ▶ นำชิ้นงานเข้าหาใบเลื่อยที่กำลังวิ่งอยู่เท่านั้น มิฉะนั้นจะเกิดอันตรายจากการตีกลับเมื่อใบเลื่อยเกิดติดขัดอยู่ในชิ้นงาน

สัญลักษณ์

สัญลักษณ์ต่อไปนี้มีความสำคัญต่อการใช้เครื่องมือไฟฟ้าของท่าน กรุณาจดจำสัญลักษณ์และความหมาย การแปลความสัญลักษณ์ได้ถูกต้องจะช่วยให้ท่านใช้เครื่องมือไฟฟ้าได้ดีและปลอดภัยกว่า

สัญลักษณ์และความหมายของสัญลักษณ์



เอามือออกห่างจากรีเวมตัดขณะเครื่องกำลังวิ่ง
อันตรายจากการบาดเจ็บเมื่อไปสัมผัสกับใบเลื่อย



สวมแว่นตาป้องกันอันตราย

สัญลักษณ์และความหมายของสัญลักษณ์



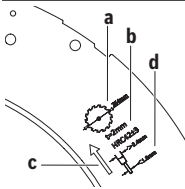
สวมอุปกรณ์ป้องกันเสียง การรับฟังเสียงดังอาจทำให้สูญเสียการได้ยิน



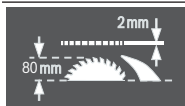
สวมหน้ากากป้องกันฝุ่น

เส้นผ่าศูนย์กลางของใบเลื่อย $\phi 25.4$ mm เส้นผ่าศูนย์กลางรูต้องเข้ากับแกนเครื่องมือโดยไม่มีช่องหลวม หากจำเป็นต้องใช้ตัวลดขนาด ให้ตรวจสอบให้แน่ใจว่าขนาดของตัวลดนั้นตรงกับความหนาใบ และเส้นผ่าศูนย์กลางรูของใบเลื่อย รวมทั้งเส้นผ่าศูนย์กลางของแกนเครื่องมือ หากเป็นไปไม่ได้ให้ใช้ตัวลดขนาดที่จัดส่งมาพร้อมกับใบเลื่อย

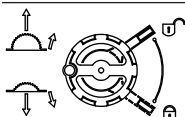
เส้นผ่าศูนย์กลางใบเลื่อยต้องสอดคล้องกับข้อมูลบนสัญลักษณ์



- a** ใบเลื่อยจะต้องมีขนาดเส้นผ่าศูนย์กลางไม่เกิน 254 มม.
- b** ความหนาของลิ้มแยกคือ 2 มม.
- c** ทิศทางของลูกศร (ทิศทางของลูกศรบนใบเลื่อย) ต้องตรงกับทิศทางของลูกศรบนลิ้มแยก
- d** เมื่อเปลี่ยนใบเลื่อย ต้องตรวจสอบให้แน่ใจว่ามีความกว้างการตัดไม่น้อยกว่า 2.4 และความหนาของใบเลื่อยไม่เกิน 1.8 มม. มิฉะนั้นอาจมีความเสี่ยงที่ลิ้มแยกจะติดขัดอยู่ในชิ้นงาน



ความหนาของลิ้มแยกคือ 2 มม.
ความสูงชิ้นงานที่เป็นไปได้สูงสุดคือ 80 มม.

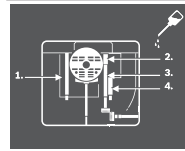


ด้านซ้าย: แสดงทิศทางการหมุนของข้อเหวี่ยงเพื่อลดใบเลื่อย (ตำแหน่งขนย้าย) และยกใบเลื่อย (ตำแหน่งทำงาน)

ด้านขวา: แสดงตำแหน่งของคันล็อคเพื่อล็อค

สัญลักษณ์และความหมายของสัญลักษณ์

ใบเลื่อยและเมื่อปรับมุมเอียงในแนวตั้ง (ใบเลื่อยเอียงได้)



หล่อลื่นเครื่องมือไฟฟ้าตามความจำเป็นตรงตำแหน่งที่ระบุ



เครื่องมือไฟฟ้าที่มีระดับความปลอดภัย II มีฉนวนสองชั้นหรือฉนวนเสริม



โดยฉลาก CE ผู้ผลิตยืนยันว่าเครื่องมือไฟฟ้าสอดคล้องกับกฎระเบียบ EU ที่บังคับใช้

รายละเอียดผลิตภัณฑ์และข้อมูล

จำเพาะ



อ่านคำแนะนำเพื่อความปลอดภัยและคำแนะนำทั้งหมด การไม่ปฏิบัติตามคำแนะนำและคำสั่งอาจเป็นสาเหตุให้ถูกไฟฟ้าดูด เกิดไฟไหม้ และ/หรือได้รับบาดเจ็บอย่างร้ายแรง

กรุณาดูภาพประกอบในส่วนหน้าของคู่มือการใช้งาน

ประโยชน์การใช้งานของเครื่อง

เครื่องมือไฟฟ้านี้เป็นเครื่องประจำที่ ใช้สำหรับตัดเป็นแนวตรงทั้งตามยาวและตามขวางในไม้เนื้ออ่อนและไม้เนื้อแข็ง รวมทั้งพาร์ติเคิลบอร์ดและไฟเบอร์บอร์ด สามารถตัดมุมเอียงในแนวนอนจาก -30° ถึง $+30^\circ$ และมุมเอียงในแนวตั้งจาก 0° ถึง 45°

เมื่อใช้ใบเลื่อยที่เหมาะสมยังสามารถเลื่อยไปรโฟลอะลูมิเนียมและวัสดุสังเคราะห์ที่ได้อีกด้วย

ส่วนประกอบที่แสดงภาพ

ลำดับเลขของส่วนประกอบผลิตภัณฑ์อ้างอิงถึงส่วนประกอบของเครื่องที่แสดงในหน้าภาพประกอบ

- (1) มาตรฐานสำหรับระยะห่างใบเลื่อยไปยังแผงกำหนดแนวขนาน
- (2) มาตรฐานสำหรับระยะห่างใบเลื่อยไปยังแผงกำหนดแนวขนาน
- (3) ฉากหยุดมุม
- (4) โต๊ะเลื่อย
- (5) ร่องนำสำหรับฉากหยุดมุม

- (6) กระบังป้องกัน
- (7) ตัวล็อกการตีกลับ
- (8) แผ่นแทรกโต๊ะ
- (9) แผงกำหนดแนวขนาน
- (10) ส่วนขยายโต๊ะเลื่อย
- (11) ตัวยึดขา
- (12) จุดตั้งแผงกำหนดแนวขนาน
- (13) ขาหนุนกันเอียง
- (14) ฐานรอง
- (15) ไม้ต้น
- (16) คันล็อกสำหรับปรับมุมเอียงในแนวตั้ง
- (17) ข้อเหวี่ยงเพื่อลดหรือยกใบเลื่อย
- (18) ล้อหมุนมือ
- (19) บานพับเพื่อความปลอดภัยสำหรับสวิตช์เปิด-ปิด
- (20) ตามหนีบส่วนขยายโต๊ะเลื่อย
- (21) จุดตั้งไม้ต้น
- (22) ตัวหยุดสำหรับมุมเอียง 45° (แนวตั้ง)
- (23) มาตราส่วนสำหรับมุมเอียง (แนวตั้ง)
- (24) ตัวหยุดสำหรับมุมเอียง 0° (แนวตั้ง)
- (25) ปุ่มเปิด
- (26) ปุ่มรีเซ็ตอาร์ท
- (27) ลิ้มแยก
- (28) ใบเลื่อย
- (29) จุดตั้งฉากหยุดมุม
- (30) ที่ม้วนเก็บสายไฟฟ้า
- (31) รูติดตั้งสำหรับฐานรอง
- (32) รูสำหรับติดตั้ง
- (33) จุดตั้งเครื่องมือ/ตัวล็อกการตีกลับ
- (34) ข้อต่อท่อดูดออก
- (35) ประแจแหวน (10 มม.; 13 มม.)
- (36) ประแจตะขอ/ประแจปากตาย (10 มม.)
- (37) ชุดยึด "ฐานรอง"
- (38) ชุดยึด "ขาหนุนกันเอียง"
- (39) ชุดยึด "เครื่องมือไฟฟ้า"
- (40) ลิ้มแยกน็อต
- (41) ช่องสำหรับแผ่นแทรกโต๊ะ
- (42) ปุ่มกดตัวล็อกการตีกลับ
- (43) ตัวยึดหนีบของแผงกำหนดแนวขนาน
- (44) ตัวนำรูปตัว V ของแผงกำหนดแนวขนาน
- (45) ตัวนำรูปตัว V บนโต๊ะเลื่อยสำหรับแผงกำหนดแนวขนาน
- (46) ร่องนำสำหรับแผงกำหนดแนวขนาน
- (47) แผงกำหนดแนวขนานเพิ่ม
- (48) ชุดยึด "แผงกำหนดแนวขนานเพิ่ม"
- (49) รางนำของฉากหยุดมุม
- (50) รางโปรไฟล์
- (51) น็อตปีกรางโปรไฟล์
- (52) แผ่นครอบใบเลื่อยด้านล่าง
- (53) น็อตยึดแผ่นครอบใบเลื่อยด้านล่าง
- (54) รูจับแผ่นแทรกโต๊ะ
- (55) หน้าแปลนยึด
- (56) สกรูหกเหลี่ยมใบเลื่อย
- (57) ประเก็นวงแหวน
- (58) หน้าแปลนติดตั้ง
- (59) เข็มซี่มุม (แนวตั้ง)
- (60) ลูกบิดล็อกสำหรับมุมเอียงทั้งหมด (แนวนอน)
- (61) เข็มซี่มุมบนฉากหยุดมุม
- (62) แวนขยาย
- (63) เข็มซี่ระยะห่างโต๊ะเลื่อย
- (64) สกรูหัวร่องกาบสำหรับปรับตัวหยุด 0°
- (65) สกรูสำหรับเข็มซี่มุม (แนวตั้ง)
- (66) สกรูหัวร่องกาบสำหรับปรับตัวหยุด 45°
- (67) สกรูหัวจมทกเหลี่ยม (5 มม.) ด้านหน้าสำหรับการปรับความขนานของใบเลื่อย
- (68) สกรูหัวจมทกเหลี่ยม (5 มม.) ด้านท้ายสำหรับการปรับความขนานของใบเลื่อย
- (69) สกรูสำหรับเข็มซี่ระยะห่างโต๊ะเลื่อย
- (70) สกรูหัวจมทกเหลี่ยม (5 มม.) สำหรับการปรับความขนานของแผงกำหนดแนวขนาน
- (71) สกรูสำหรับเข็มซี่ระยะห่างแผงกำหนดแนวขนาน

ข้อมูลทางเทคนิค

เลื่อยตัดโต๊ะ		GTS 254	GTS 254
หมายเลขสินค้า		3 601 M45 080 3 601 M45 0L0 3 601 M45 0K0 3 601 M45 0F0	3 601 M45 0C0
กำลังไฟฟ้าที่ติดตั้ง	วัตต์	1800	1800
ความเร็วรอบเดินตัวเปล่า	min ⁻¹	4300	3800
การจำกัดกระแสไฟฟ้าเมื่อสตาร์ทเครื่อง		●	●
น้ำหนักตามระเบียบการ EPTA- Procedure 01:2014	กก.	24.4	24.4
ระดับความปลอดภัย		☐/	☐/
ขนาด (รวมชิ้นส่วนของเครื่องที่ถอดออกได้)			
กว้าง x ลึก x สูง	มม.	690 x 620 x 1000	690 x 620 x 1000
ขนาดของใบเลื่อยที่เหมาะสม			
เส้นผ่าศูนย์กลางใบเลื่อย	มม.	254	254
ความหนาใบ	มม.	< 1.8	< 1.8
ความหนาฟันเลื่อย/ตรงที่แต่งฟันเลื่อย ต่ำสุด	มม.	> 2.4	> 2.4
เส้นผ่าศูนย์กลางรูปประกอบ	มม.	25.4	25.4

ขนาดชิ้นงานสูงสุด: (ดู "ขนาดชิ้นงานสูงสุด", หน้า 82)

ค่าที่ให้ไว้ใช้ได้กับแรงดันไฟฟ้าอโนมอล [U] 230 โวลต์ค่าเหล่านี้อาจเปลี่ยนแปลงไปสำหรับแรงดันไฟฟ้าที่แตกต่างกันและโมเดลที่ผลิตสำหรับเฉพาะประเทศ

การติดตั้ง

- ▶ **หลีกเลี่ยงอย่าให้เครื่องคิดขึ้นเองโดยไม่ตั้งใจ ขณะติดตั้งและเมื่อทำการปรับแต่งใดๆ ที่เครื่องมือไฟฟ้า ต้องไม่ต่อปลั๊กไฟฟ้าเข้ากับแหล่งจ่ายไฟฟ้าหลัก**

รายการสิ่งของที่จัดส่ง

ก่อนใช้เครื่องทำงานเป็นครั้งแรก ให้ตรวจสอบว่าชิ้นส่วนทั้งหมดที่ระบุด้านล่างนี้ได้จัดส่งมาด้วยหรือไม่:

- เลื่อยตัดโต๊ะพร้อมใบเลื่อยติดตั้งมาแล้ว (28)
- ชุดยึด "เครื่องมือไฟฟ้า" (39) (8 สกรูยึด, 8 แหวนรอง)
- ฐานรอง (14)
- ชุดยึด "ฐานรอง" (37) (16 สกรูยึด, 16 แหวนรอง, 16 แหวนยึด, 16 น็อต)
- ขาหนุนกันเอียง (13)
- ชุดยึด "ขาหนุนกันเอียง" (38) (4 สกรูยึด, 8 แหวนรอง, 4 แหวนยึด, 4 น็อต)

- ฉากหยุดมุม (3)
- รางโปรไฟล์ (50)
- น็อตปีก "รางโปรไฟล์" (51)
- แผงกำหนดแนวขนาน (9)
- แผงกำหนดแนวขนานเพิ่ม (47)
- ชุดยึด "แผงกำหนดแนวขนานเพิ่ม" (48) (2 สกรูยึด, 2 น็อตปีก)
- ลิ้มแยก (27) พร้อมกระบังป้องกัน (6)
- ตัวล้อการตีกลับ (7)
- ประแจแหวน (35)
- ประแจตะขอ/ประแจปากตาย (36)
- ไม้ดัน (15)
- แผ่นแทรกโต๊ะ (8)

หมายเหตุ: ตรวจสอบเครื่องมือไฟฟ้าเพื่อหาจุดชำรุดที่อาจมีก่อนใช้เครื่องมือไฟฟ้าต่อไปต้องตรวจสอบอุปกรณ์ป้องกันอันตรายว่าทำงานอย่างถูกต้องหรือไม่ ส่วนชำรุดเล็กน้อยใดๆ ต้องได้รับการตรวจสอบอย่างละเอียดถี่ถ้วนเพื่อจะเชื่อมั่นใจว่า

เครื่องจะทำงานได้อย่างไม่มีข้อบกพร่อง ตรวจสอบชิ้นส่วนที่เคลื่อนไหวย่างถูกต้องและติดขัดหรือไม่ หรือมีชิ้นส่วนเสียหายหรือไม่ ชิ้นส่วนทั้งหมดต้องติดตั้งอย่างถูกต้องและตรงตามเงื่อนไขทั้งหมดเพื่อให้แน่ใจว่าจะทำงานได้อย่างไม่ผิดพลาด ท่านต้องส่งเครื่องไปยังโรงซ่อมที่เชี่ยวชาญและเป็นที่ยอมรับเพื่อทำการซ่อมแซมหรือเปลี่ยนอุปกรณ์ป้องกันอันตรายและชิ้นส่วนที่เสียหายอย่างถูกต้อง

การติดตั้งแบบประจำที่หรือแบบคล่องตัว

► **เพื่อความคุ้มครองให้ได้อย่างปลอดภัย ก่อนใช้งานต้องติดตั้งเครื่องบนพื้นผิวที่มั่นคงและราบเสมอกัน (ค. ย. เช่น โตะทำงานของช่าง)**

การติดตั้งด้วยฐานรองและขาหนุนกันเอียง (รูปภาพประกอบ a1 - a3)

ใช้ชุดยึด "ฐานรอง" (37), "ขาหนุนกันเอียง" (38) และ "เครื่องมือไฟฟ้า" (39) สำหรับการติดตั้ง

- ฐานรอง (14) เข้าด้วยกัน ชันสลกรูเข้าที่แน่น
- ขนขาหนุนกันเอียง (13) เข้ากับฐานรอง
- ใส่เครื่องมือไฟฟ้าบนฐานรองโดยให้ขาหนุนกันเอียงชี้ไปทางด้านหลัง
- ขันเครื่องมือไฟฟ้าบนฐานรองให้แน่น รูด้านข้าง (31) ที่เครื่องมือไฟฟ้าและรูที่ฐานรอง

การติดตั้งโดยไม่มีฐานรอง (รูปภาพประกอบ b)

- ยึดเครื่องมือไฟฟ้าเข้ากับพื้นผิวทำงานด้วยสลกรูยึดที่เหมาะสม สำหรับการยึดให้ใช้รู (32)

การติดตั้งส่วนประกอบแต่ละชิ้น

- นำชิ้นส่วนทั้งหมดที่จัดส่งมาออก จากหีบห่ออย่างระมัดระวัง
- นำวัสดุหีบห่อทั้งหมดออกจากเครื่องมือไฟฟ้าและอุปกรณ์ประกอบที่จัดส่งมา
- ตรวจสอบให้แน่ใจว่าได้เอาวัสดุบรรจุภัณฑ์ใบปลอกมอเตอร์ออกมาแล้ว

ชิ้นส่วนของเครื่องต่อไปนี้ถูกยึดกับตัวเรือนโดยตรง: ตัวล้อการตีกลับ (7), ประแจแหวน (35), ประแจตะขอ/ประแจปากตาย (36), ฉากหยุดมุม (3), แผงกำหนดแนวขนาน (9), แผงกำหนดแนวขนานเพิ่ม (47) พร้อมชุดยึด (48), กระบ้งป้องกัน (6), ไม่นัน (15), โใบเลื่อย (28).

- หากท่านต้องใช้ชิ้นส่วนของเครื่องขึ้นไต่ขั้นหนึ่ง ให้เอาออกจากตำแหน่งจัดเก็บอย่างระมัดระวัง

ติดตั้งน็อตปิกลิ้มแยก (รูปภาพประกอบ c)

หมายเหตุ: หากจำเป็น ให้ทำความสะอาดชิ้นส่วนทั้งหมดที่จะติดตั้งก่อนจัดวางตำแหน่ง

- หากจำเป็น ให้ถอดแผ่นแทรกโตะ (8) ออก

- หมุนข้อเหวี่ยง (17) ตามเข็มนาฬิกาจนสุดเพื่อให้ใบเลื่อย (28) อยู่ในตำแหน่งสูงสุดเหนือโตะเลื่อย
- คลายน็อต (40) ด้วยประแจแหวน (35)
- ใส่น็อตปิกลิ้มแยก (27) และเลื่อนลงจนจบลสุด
- ขันน็อต (40) ด้วยประแจแหวน (35) ให้แน่นอีกครั้ง
- จัดตำแหน่งแผ่นแทรกโตะ (8)

การติดตั้งแผ่นแทรกโตะ (รูปภาพประกอบ d)

- เกี่ยวแผ่นแทรกโตะ (8) เข้าในช่องด้านท้าย (41) ของช่องเครื่อง
- จับแผ่นแทรกโตะลง
- กดบนแผ่นแทรกโตะจนแผ่นขบเข้าตรงด้านหน้าในช่องเครื่องมือ

ติดตั้งตัวล้อการตีกลับ (รูปภาพประกอบ e)

ในกรณีที่เกิดการตีกลับ ตัวล้อการตีกลับ (7) ช่วยป้องกันไม่ให้ชิ้นงานหมุนพุ่งไปในทิศทางผู้ใช้งาน โดยที่ฟันเฟืองที่มีลักษณะแหลมคมเจาะเข้าไปในไม้มัดในพื้นที่ผิวของชิ้นงานและสามารถยึดรั้งไว้ได้

- กดที่ปุ่มกด (42) ของตัวล้อการตีกลับ (7) เข้าด้วยกัน ซึ่งจะทำให้โบลท์นำติดตั้งกลับ
- ใส่ตัวล้อการตีกลับ (7) เข้าบนน็อตปิกลิ้มแยก (27) และปล่อยปุ่มกด (42)
- เลื่อนตัวล้อการตีกลับไปในทิศทางกระบ้งป้องกันจนกระทั่งโบลท์นำล็อกเข้าไปในรูหลังด้านบนที่น็อตปิกลิ้มแยก
- ตรวจสอบว่าโบลท์นำเชื่อมต่อกับรูอย่างแน่นหนาและตัวล้อการตีกลับทำงานอย่างถูกต้องหรือไม่ ยกตัวล้อการตีกลับขึ้นอย่างระมัดระวัง เมื่อปล่อย โใบมีดที่ร็องรับสปริงได้ต้องเลื่อนลงด้านล่างและสัมผัสกับแผ่นแทรกโตะ

การติดตั้งแผงกำหนดแนวขนาน (รูปภาพประกอบ f)

ท่านสามารถวางแผงกำหนดแนวขนาน (9) ได้ทั้งทางซ้ายหรือทางขวาของใบเลื่อย

- คลายตัวหนีบ (43) ของแผงกำหนดแนวขนาน (9) ออกในลักษณะนี้ตัวนำรูปตัว V (44) จะถูกปลด
- ในขั้นแรกให้สอดแผงกำหนดแนวขนานโดยให้ตัวนำรูปตัว V อยู่ในร่องตัวนำ (45) ของโตะเลื่อย จากนั้นจึงจัดแผงกำหนดแนวขนานให้เข้าในร่องนำด้านหน้า (46) ของโตะเลื่อย ตอนนี้ท่านสามารถเลื่อนแผงกำหนดแนวขนานได้อย่างอิสระ
- เมื่อต้องการล็อกแผงกำหนดแนวขนานให้กดตัวหนีบ (43) ลง

การติดตั้งแผงกำหนดแนวขนานเพิ่ม (รูปภาพประกอบ g)

สำหรับการเลื่อยชิ้นงานแคบและการเลื่อยมุมเอียงในแนวตั้ง ท่านต้องติดตั้งแผงกำหนดแนวขนานเพิ่ม (47) เข้ากับแผงกำหนดแนวขนาน (9)

แผงกำหนดแนวขนานเพิ่มสามารถติดตั้งทางซ้ายหรือทางขวา เข้ากับแผงกำหนดแนวขนาน (9) ได้ตามต้องการ

สำหรับการติดตั้งให้ใช้ชุดยึด "แผงกำหนดแนวขนาน เพิ่ม" (48) (2 สกรูยึด, 2 น็อตปีก)

- ใส่สกรูยึดผ่านรูด้านข้างในแผงกำหนดแนวขนาน (9)
- หัวของสกรูทำหน้าที่เป็นตัวนำสำหรับแผงกำหนดแนวขนานเพิ่ม
- เลื่อนแผงกำหนดแนวขนานเพิ่ม (47) ไปเหนือหัวของสกรูยึด
- ขันสกรูให้แน่นโดยใช้น็อตปีก

การติดตั้งฉากหยุดมุม (คุณภาพประกอบ h1 - h2)

- สอดรอกนำ (49) ของฉากหยุดมุม (3) เข้าในรอกนำ (5) ร่องใดร่องหนึ่งของโต๊ะเลื่อยที่ทำไว้สำหรับจุดประสงค์นี้ เพื่อให้จัดวางชิ้นงานขนาดยาวได้ง่ายขึ้น ท่านสามารถขยายฉากหยุดมุมด้วยรางโปรไฟล์ (50)
- หากต้องการ ให้ติดตั้งรางโปรไฟล์เข้ากับฉากหยุดมุมด้วยน็อตปีก (51)

การดูดฝุ่น/ซีลื้อย

ฝุ่นที่ได้จากวัสดุ เช่น เคลือบผิวที่มีสารตะกั่ว ไม้ยางประเภทแรธาตุ และโลหะ อาจเป็นอันตรายต่อสุขภาพ การสัมผัสหรือการหายใจเอาฝุ่นเข้าไปอาจทำให้เกิดปฏิกิริยาแพ้ฝุ่น และ/หรือนำมาซึ่งโรคติดเชื้อระบบหายใจแก่ผู้ใช้เครื่องหรือผู้ที่ยืนอยู่ใกล้เคียง

ฝุ่นบางประเภท เช่น ฝุ่นไม้โอ๊ก หรือไม้บีช นับเป็นสารที่ทำให้เกิดมะเร็ง โดยเฉพาะอย่างยิ่งเมื่อผสมกับสารเติมแต่งเพื่อบำบัดไม้ (โครเมต ผลัดถิ่นที่รักษาเนื้อไม้) สำหรับวัสดุที่มีเอกสารเตือนสติให้ผู้เชี่ยวชาญทำงานเท่านั้น

- ใช้ระบบดูดฝุ่นออกที่เหมาะสมกับประเภทวัสดุ มากเท่าที่จะทำได้
- จัดสถานที่ทำงานให้มีการระบายอากาศที่ดี
- ขอแนะนำให้สวมหน้ากากป้องกันการติดเชื้อที่มีระดับ-ใส่กรอง P2

ปฏิบัติตามกฎข้อบังคับสำคัญอื่นๆ ที่เกี่ยวกับวัสดุชิ้นงานที่บังคับใช้ในประเทศของท่าน

อุปกรณ์ดูดฝุ่น/ซีลื้อยอาจอุดตันด้วยฝุ่น ซีลื้อยหรือสะเก็ดชิ้นงาน

- ปิดสวิทช์เครื่อง และดึงปลั๊กไฟออกจากเต้าเสียบ
- รอจนใบเลื่อยหยุดสนิท
- หาสาเหตุของการอุดตันและทำการแก้ไข
- ▶ **ป้องกันการสะสมของฝุ่นในสถานที่ทำงาน**
ฝุ่นสามารถถูกโหมอย่างง่ายตาย
- ▶ **เพื่อป้องกันการเกิดไฟไหม้เมื่อเลื่อยอะลูมิเนียม ให้เทียงฝุ่นในช่องพ่นซีลื้อยออก และอย่าใช้การดูดฝุ่น/ซีลื้อย**

การเทียงฝุ่นในช่องพ่นซีลื้อยออก (คุณภาพประกอบ i)
ท่านสามารถเทียงสะเก็ดชิ้นงานและเศษตัดชิ้นใหญ่ได้โดยเปิดแผงปิดใบเลื่อย (52)

- ปิดสวิทช์เครื่องมือไฟฟ้าและดึงปลั๊กไฟให้ออกจากเต้าเสียบ
- รอจนใบเลื่อยหยุดสนิท
- เอียงเครื่องมือไฟฟ้าไปทางด้านข้าง
- คลายสกรูยึด (53) และเปิดแผ่นครอบใบเลื่อยด้านล่าง (52)
- เอาเศษและสะเก็ดชิ้นงานออก
- ปิดแผ่นครอบใบเลื่อยด้านล่างและขันเข้าให้แน่นอีกครั้ง
- จัดเครื่องมือไฟฟ้าให้อยู่ในตำแหน่งทำงาน

การดูดฝุ่นด้วยเครื่องดูดฝุ่นภายนอก (คุณภาพประกอบ j)

- สวมท่อดูดฝุ่นที่เข้ากันได้เข้าในข้อต่อท่อดูดออก (34) เครื่องดูดฝุ่นต้องมีลักษณะการใช้งานที่เหมาะสมกับประเภทวัสดุชิ้นงาน

ในกรณีดูดฝุ่นแห้งที่เป็นอันตรายต่อสุขภาพอย่างยิ่งหรืออาจก่อให้เกิดมะเร็งได้ ให้ใช้เครื่องดูดฝุ่นพิเศษ

การเปลี่ยนใบเลื่อย (คุณภาพประกอบ k1-k4)

- ▶ **ดึงปลั๊กไฟออกจากเต้าเสียบก่อนปรับแต่งเครื่อง**
- ▶ **สวมถุงมือป้องกันอันตรายเมื่อติดตั้งใบเลื่อย** อันตรายจากการบาดเจ็บ
- ▶ **ใช้เฉพาะใบเลื่อยที่มีความเร็วสูงสุดที่อนุญาตสูงกว่าความเร็วรอบตัวเปล่าของเครื่องมือไฟฟ้า**
- ▶ **ใช้เฉพาะใบเลื่อยที่ตรงตามข้อกำหนดที่ระบุไว้ในคู่มือการใช้งานนี้และบนเครื่องมือไฟฟ้า และ ได้ผ่านการทดสอบตามมาตรฐาน EN 847-1 และทำเครื่องหมายไว้เท่านั้น**
- ▶ **ใช้เฉพาะใบเลื่อยที่บริษัทผู้ผลิตเครื่องมือแนะนำให้ใช้ และต้องเป็นใบเลื่อยที่เหมาะสมสำหรับเลื่อยวัสดุที่ต้องการตัด**
- ▶ **อย่าใช้ใบเลื่อยที่ทำจากเหล็กกล้าเร็วสูง (High Speed Steel, HSS) ใบเลื่อยนี้แตกง่าย**

การถอดใบเลื่อย

- หมุนข้อเหวี่ยง (17) ตามเข็มนาฬิกาจนสุดเพื่อให้ใบเลื่อย (28) อยู่ในตำแหน่งสูงสุดเหนือโต๊ะเลื่อย
- พับกระบังป้องกัน (6) ลง
- ยกแผ่นแทรกโต๊ะ (8) ที่รูจับ (54) ขึ้นและถอดออกจากช่องเครื่องมือ
- ขันสกรูหกเหลี่ยม (56) ด้วยประแจแหวน (35) ออกทวนเข็มนาฬิกา ขณะที่ประแจตะขอ (36) ยึดรับแรงที่หน้าแปลนยึด (55) ไว้

- ถอดแหวนรอง (57) และหน้าแปลนยึด (55) ออก
- ถอดใบเลื่อย (28) ออก

การติดตั้งใบเลื่อย

ก่อนทำการติดตั้งให้ทำความสะอาดชิ้นส่วนที่จะติดตั้งทั้งหมด หากจำเป็น

- สวมใบเลื่อยใหม่เข้ากับหน้าแปลนติดตั้ง (58) ของแกน เครื่องมือ

หมายเหตุ: อย่าใช้ใบเลื่อยที่มีขนาดเล็กเกินไป ระยะห่างในแนวรัศมีระหว่างใบเลื่อยและลิ้มแยกสูงสุดต้องไม่เกิน 3 - 8 มม.

▶ เมื่อติดตั้งใบเลื่อยต้องเอาใจใส่ให้ทิศทางตัดของฟัน (ทิศทางลูกศรบนใบเลื่อย) สอดคล้องกับทิศทางของลูกศรบนกระบังป้องกันใบเลื่อย!

- สวมน็อตยึด (55), แหวนรอง (57) และสกรูหกเหลี่ยม (56) เข้าไป
- ดึงสกรูหกเหลี่ยม (56) ด้วยประแจแหวน (35) ออกทวนเข็มนาฬิกา ขณะที่ประแจตะขอ (36) ยึดรับแรงที่หน้าแปลนยึด
- ใส่แผ่นแทรกโตะ (8) เข้าอีกครั้ง
- พับกระบังป้องกัน (6) ไปทางด้านหน้า

การปฏิบัติงาน

▶ ดึงปลั๊กไฟออกจากเต้าเสียบก่อนปรับแต่งเครื่อง

ตำแหน่งขนย้ายและตำแหน่งทำงานของใบเลื่อย

ตำแหน่งขนย้าย

- ถอดกระบังป้องกัน (6) ออก ถอดแผ่นแทรกโตะ (8) ออก และจัดวางลิ้มแยก (27) ในตำแหน่งต่ำสุด ใส่แผ่นแทรกโตะ (8) เข้าอีกครั้ง
- หมุนข้อเหวี่ยง (17) ทวนเข็มนาฬิกาจนฟันของใบเลื่อย (28) อยู่ใต้โตะเลื่อย (4)
- เลื่อนส่วนขยายโตะเลื่อย (10) เข้าด้านในทั้งหมด กดตามหนีบ (20) ลง ในลักษณะนี้ส่วนขยายโตะเลื่อยจะถูกล็อค

ตำแหน่งทำงาน

- จัดวางลิ้มแยก (27) ในตำแหน่งบนสุดเหนือกึ่งกลางใบเลื่อยพอดี ใส่แผ่นแทรกโตะ (8) เข้า และติดตั้งกระบังป้องกัน (6)
- หมุนข้อเหวี่ยง (17) ตามเข็มนาฬิกาจนฟันของใบเลื่อย (28) อยู่เหนือชิ้นงานประมาณ 3 - 6 มม.

การปรับมุมเอียงในแนวตั้งและแนวนอน

เพื่อให้แน่ใจว่าจะตัดชิ้นงานได้อย่างแม่นยำ หลังการใช้งานหนักท่านต้องตรวจสอบการปรับพื้นฐานของเครื่องมือไฟฟ้าและปรับตั้ง หากจำเป็น

การปรับมุมเอียงในแนวตั้ง (ใบเลื่อย) (ดูภาพประกอบ A) มุมเอียงในแนวตั้งสามารถปรับตั้งได้ในช่วงระหว่าง 0° ถึง 45°

- คลายคันล็อค (16) ออกในทิศทวนเข็มนาฬิกา
- หมายเหตุ:** หากคลายคันล็อคออกจนหมด แรงโน้มถ่วงจะทำให้ใบเลื่อยเอียงไปในตำแหน่งที่เท่ากับประมาณ 30°
- ดึงหรือดันล้อหมุนมือ (18) ไปตาม slotted link จนเข็มชี้มุม (59) แสดงมุมเอียงในแนวตั้งที่ต้องการ
- จับล้อหมุนมือไว้ในตำแหน่งนี้และยึดคันล็อค (16) กลับให้แน่นอีกครั้ง

สำหรับการปรับมุมมาตรฐานในแนวตั้ง 0° และ 45° อย่างรวดเร็วและแม่นยำ มีตัวหยุด ((24), (22)) ที่ตั้งมาจากโรงงาน

การปรับมุมเอียงในแนวนอน (จากหยุดมุม) (ดูภาพประกอบ B)

มุมเอียงในแนวนอนสามารถปรับตั้งได้ในช่วงระหว่าง 30° (ด้านซ้าย) ถึง 30° (ด้านขวา)

- คลายลูกบิดล็อค (60) ออกหากถูกขันแน่น
- หมุนฉากหยุดมุมจนเข็มชี้มุม (61) แสดงมุมเอียงที่ต้องการ
- ขันลูกบิดล็อค (60) เข้าอีกครั้ง

การเพิ่มขนาดของโตะเลื่อย

ต้องหมุนส่วนปลายของชิ้นงานที่หนักและมีขนาดยาวที่ลอยอยู่

ส่วนขยายโตะเลื่อย (ดูภาพประกอบ C)

ส่วนขยายโตะเลื่อย (10) เพิ่มความกว้างของโตะเลื่อย (4) ทางด้านขวาได้สูงสุด 950 มม.

- ดึงด้ามหนีบ (20) ของส่วนขยายโตะเลื่อยขึ้นด้านบนทั้งหมด
- ดึงส่วนขยายโตะเลื่อย (10) ออกตามความยาวที่ต้องการ
- กดด้ามหนีบ (20) ลง ในลักษณะนี้ส่วนขยายโตะเลื่อยจะถูกล็อค

การปรับแวงกำหนดแนวขนาน

ท่านสามารถวางแวงกำหนดแนวขนาน (9) ได้ทั้งทางซ้ายหรือทางขวาของใบเลื่อย เครื่องหมายในแวนขยาย (62) แสดงระยะห่างที่ตั้งไว้ระหว่างแวงกำหนดแนวขนานและใบเลื่อยบนมาตราส่วน (1)

จัดวางแวงกำหนดแนวขนานบนด้านที่ต้องการของใบเลื่อย

(ดู "การติดตั้งแผงกำหนดแนวขนาน (ดูภาพประกอบ f)", หน้า 78)

การปรับแต่งกำหนดแนวขนานเมื่อไม่ถึงโต๊ะเลื่อยออก

- คลายค้ำหนีบ (43) ของแผงกำหนดแนวขนาน (9) ออก เลื่อนแผงกำหนดแนวขนานจนเครื่องหมายในแนวขยาย (62) แสดงระยะห่างจากใบเลื่อยที่ต้องการ เมื่อไม่ถึงโต๊ะเลื่อยออกให้ใช้เครื่องหมายด้านล่างของ มาตราส่วน (1)
- เมื่อต้องการล็อกให้กดค้ำหนีบ (43) ลงอีกครั้ง

การปรับแต่งกำหนดแนวขนานเมื่อถึงโต๊ะเลื่อยออก (ดูภาพประกอบ D)

- จัดวางแผงกำหนดแนวขนานบนด้านขวาของใบเลื่อย เลื่อนแผงกำหนดแนวขนานจนเครื่องหมายในแนวขยาย (62) แสดงบนมาตราส่วนตัวเลข (1) 28 ซม. เมื่อต้องการล็อกให้กดค้ำหนีบ (43) ลงอีกครั้ง
- ดึงค้ำหนีบ (20) ของส่วนขยายโต๊ะเลื่อยขึ้นด้านบน ทั้งหมด
- ดึงส่วนขยายโต๊ะเลื่อย (10) ออกมาด้านนอกจนเข็มชี้ ระยะห่าง (63) แสดงระยะห่างจากใบเลื่อยที่ต้องการบน มาตราส่วน (2)
- กดค้ำหนีบ (20) ลง ในลักษณะนี้ส่วนขยายโต๊ะเลื่อยจะถูกล็อก

การปรับแต่งกำหนดแนวขนานเพิ่ม (ดูภาพประกอบ E)

สำหรับการเลื่อยชิ้นงานแคมและการเลื่อยมุมเฉียงในแนวตั้ง ท่านต้องติดตั้งแผงกำหนดแนวขนานเพิ่ม (47) เข้ากับแผงกำหนดแนวขนาน (9)

แผงกำหนดแนวขนานเพิ่มสามารถติดตั้งทางซ้ายหรือทางขวา เข้ากับแผงกำหนดแนวขนาน (9) ได้ตามต้องการ

ขณะเลื่อย ชิ้นงานอาจเกิดติดขัดอยู่ระหว่างแผงกำหนดแนวขนานและใบเลื่อย ถูกใบเลื่อยส่วนขึ้นเกี่ยวจับและเหวี่ยงออกไป

ดังนั้นจึงควรปรับตั้งแผงกำหนดแนวขนานเพิ่มในลักษณะให้ตอนท้ายของแผงอยู่ระหว่างพื้นหน้าของใบเลื่อยและขอบด้านหน้าของลิ้มแยก

- คลายน็อตปิกทั้งหมดของชุดยึด (48) และเลื่อนแผงกำหนดแนวขนานเพิ่ม
- ยึดน็อตปิกกลับให้แน่นอีกครั้ง

การเริ่มต้นปฏิบัติงาน

- ▶ **ให้สังเกตแรงดันไฟฟ้า!** แรงดันไฟฟ้าจากแหล่งจ่ายไฟฟ้าต้องมีค่าตรงกับค่าแรงดันไฟฟ้าที่ระบุไว้บนแผ่นป้ายพิกัดเครื่อง

เปิดสวิตช์ (ดูภาพประกอบ F1)

- พับบานพับเพื่อความปลอดภัย (19) ขึ้นด้านบน
- เมื่อต้องการเริ่มต้นทำงานให้กดปุ่มเปิดสวิตช์ (25)
- ปลอยบานพับเพื่อความปลอดภัย (19) ลงอีกครั้ง

ปิดสวิตช์ (ดูภาพประกอบ F2)

- กดบนบานพับเพื่อความปลอดภัย (19)

การป้องกันการใช้งานเกินพิกัด

เครื่องมือไฟฟ้านี้มีระบบการป้องกันการใช้งานเกินพิกัด เมื่อใช้งานเครื่องมือไฟฟ้าตรงตามวัตถุประสงค์ เครื่องจะไม่ทำงานเกินพิกัด หากทำงานเกินพิกัดมากไป อุปกรณ์อิเล็กทรอนิกส์จะปิดสวิตช์เครื่องมือไฟฟ้า ทำตามขั้นตอนต่อไปเพื่อนำเครื่องมือไฟฟ้ากลับเข้าสู่การทำงาน:

- ปลอยเครื่องมือไฟฟ้าให้เย็นเป็นเวลาอย่างน้อย 10 นาที
- กดปุ่มรีเซ็ต (26) จากนั้นให้เปิดสวิตช์เครื่องมือไฟฟ้าอีกครั้ง

ไฟฟ้าดับ

สวิตช์เปิด-ปิด เป็นสวิตช์ชนิดที่เรียกกันว่าสวิตช์แรงดันศูนย์ที่ป้องกันไม่ให้เครื่องมือไฟฟ้าเริ่มทำงานอีกครั้งหลังไฟฟ้าดับ (ต. ย. เช่น เมื่อถอดปลั๊กไฟออกระหว่างการใช้งาน) หากต้องการให้เครื่องมือไฟฟ้าเริ่มต้นทำงานอีกครั้งหลังไฟฟ้าดับ ให้กดปุ่มเปิดสวิตช์ (25) อีกครั้ง

ข้อแนะนำในการทำงาน

คำแนะนำทั่วไปสำหรับการเลื่อย

- ▶ สำหรับการตัดทั้งหมด อันดับแรกต้องตรวจสอบให้แน่ใจว่าใบเลื่อยจะไม่สามารถสัมผัสกับตัวหยุดหรือชิ้นส่วนอื่นๆ ของเครื่องตลอดเวลา
- ▶ ใช้เครื่องมือไฟฟ้าสำหรับเขาระ่องหรือทำรอยบากร่วมกับอุปกรณ์ป้องกันที่เหมาะสมเท่านั้น (ต. ย. เช่น กระบังป้องกันทรงอุโมงค์ หรือต้นไม้)
- ▶ อย่าใช้เครื่องมือไฟฟ้าสำหรับตัดช่องที่แคบยาว (ร่องลึกสุดในชิ้นงาน)

ป้องกันใบเลื่อยไม่ให้ถูกกระทบกระแทก อย่ากดใบเลื่อยลงทางด้านข้าง

ลิ้มแยกต้องอยู่ในแนวเดียวกับใบเลื่อยเพื่อป้องกันไม่ให้ชิ้นงานติดขัด

อย่าเลื่อยชิ้นงานที่บิดเบี้ยว ชิ้นงานต้องมีขอบตรงเสมอเพื่อประกบกับแผงกำหนดแนวขนาน จัดเก็บไม้ต้นไว้กับเครื่องมือไฟฟ้าเสมอ

ตำแหน่งของผู้ใช้งานเครื่อง (ดูภาพประกอบ G)

► **อย่ายืนในแนวเดียวกันกับใบเลื่อยโดยตรงอย่างเด็ดขาด** ให้วางตำแหน่งของลำตัวของท่านไว้ด้านเดียวกันกับใบเลื่อยและรั้วเสมอ การตีกลับอาจดันชิ้นงานอย่างรวดเร็วไปยังทุกๆ คนที่ยืนอยู่ตรงหน้าและอยู่ในแนวเดียวกันกับใบเลื่อย

- เอามือ นิ้ว และแขนออกห่างจากใบเลื่อยที่กำลังหมุน

ปฏิบัติตามคำสั่งต่อไปนี้:

- จับชิ้นงานอย่างแน่นหนาด้วยมือทั้งสองข้างและกดทาบกับโต๊ะเลื่อยอย่างมั่นคง
- สำหรับชิ้นงานแคบและสำหรับการเลื่อยมุมเฉียงในแนวตั้ง ให้ใช้ไม้ค้ำ (15) และแผงกำหนดแนวขนานเพิ่ม (47) ที่จัดส่งมาเสมอ

ขนาดชิ้นงานสูงสุด

มุมเฉียง ในแนวตั้ง	ความสูงชิ้นงานสูงสุด [มม.]
0°	80
45°	55

การเลื่อย

การเลื่อยตัดตรง

- ปรับแผงกำหนดแนวขนาน (9) ตามความกว้างการตัดที่ต้องการ
- วางชิ้นงานบนโต๊ะเลื่อยที่ด้านหน้ากระบังป้องกัน (6)
- ยกหรือลดใบเลื่อยด้วยข้อเหวี่ยง (17) จนพื้นบนของใบเลื่อย (28) อยู่เหนือชิ้นงานประมาณ 3 - 6 มม.
- เปิดสวิตช์เครื่องมือไฟฟ้า
- เลื่อยผ่านชิ้นงานด้วยอัตราป้อนคงที่ หากใช้แรงกดมากเกินไป ปลายใบเลื่อยอาจร้อนเกินไป และชิ้นงานอาจเสียหายได้
- ปิดสวิตช์เครื่องมือไฟฟ้าและรอจนใบเลื่อยหยุดสนิท

การเลื่อยมุมเฉียงในแนวตั้ง

- ปรับตั้งมุมเฉียงในแนวตั้งของใบเลื่อยที่ต้องการ เมื่อใบเลื่อยเอียงไปทางซ้าย แผงกำหนดแนวขนาน (9) ต้องอยู่ทางด้านขวาของใบเลื่อย
- ทำตามขั้นตอนการทำงาน: (ดู "การเลื่อยตัดตรง", หน้า 82)

การเลื่อยมุมเฉียงในแนวนอน (ดูภาพประกอบ H)

- ปรับมุมเฉียงในแนวนอนที่ต้องการที่ฉากหยุดมุม (3)
- วางชิ้นงานทาบกับรางโปรไฟล์ (50) โปรไฟล์ต้องไม่อยู่ในแนวเส้นตัด ในกรณีนี้ ให้คลายน็อตปีก (51) ออกและเปลี่ยนตำแหน่งรางโปรไฟล์

- ยกหรือลดใบเลื่อยด้วยข้อเหวี่ยง (17) จนพื้นบนของใบเลื่อย (28) อยู่เหนือชิ้นงานประมาณ 3-6 มม.
- เปิดสวิตช์เครื่องมือไฟฟ้า
- กดชิ้นงานทาบกับรางโปรไฟล์ (50) ด้วยมือข้างหนึ่ง และจับลูกบิดล็อก (60) เพื่อเลื่อนฉากหยุดมุมไปข้างหน้าในร่องนำ (3)
- ปิดสวิตช์เครื่องมือไฟฟ้าและรอจนใบเลื่อยหยุดสนิท

การตรวจสอบและปรับตั้งการปรับพื้นฐาน

เพื่อให้แน่ใจว่าจะตัดชิ้นงานได้อย่างแม่นยำ หลังการใช้งานหนักท่านต้องตรวจสอบการปรับพื้นฐานของเครื่องมือไฟฟ้าและปรับตั้ง หากจำเป็น สำหรับเรื่องนี้ท่านต้องมีประสบการณ์และเครื่องมือพิเศษที่สอดคล้องกัน

ศูนย์บริการลูกค้า บอช

ให้บริการบำรุงรักษาได้รวดเร็วและเชื่อถือได้

การปรับตัวหยุดสำหรับมุมเอียงมาตรฐานในแนวตั้ง 0°/45°

- จัดเครื่องมือไฟฟ้าให้อยู่ในตำแหน่งทำงาน
- ตั้งมุมเอียงในแนวตั้งของใบเลื่อยที่ 0°

การตรวจสอบ (ดูภาพประกอบ I)

- ตั้งเกจวัดมุมที่ 90° และวางไวบนโต๊ะเลื่อย (4)

ขาของเกจวัดมุมต้องทาบเรียบกับใบเลื่อย (28) ตลอดความยาวทั้งหมด

การปรับ (ดูภาพประกอบ J)

- คลายสกรู (64) ออกในลักษณะนี้จะสามารถเลื่อนตัวหยุด 0° (24) ได้
- คลายคันล็อก (16) ออก
- เลื่อนล้อหมุนมือ (18) ไปทางตัวหยุด 0° จนขาของเกจวัดมุมทาบเรียบกับใบเลื่อยตลอดความยาวทั้งหมด
- จับล้อหมุนมือไว้ในตำแหน่งนี้ และยึดคันล็อก (16) กลับให้แน่นอีกครั้ง
- ยึดสกรู (64) กลับให้แน่นอีกครั้ง

เมื่อปรับแล้ว หากเข็มชี้มุม (59) ไม่อยู่ในเส้นแนวเดียวกับเครื่องหมาย 0° ของมาตรารส่วน (23) ให้คลายสกรู (65) ออกด้วยไขควงปากแฉกที่มีจำหน่ายทั่วไปและปรับแนวเข็มชี้มุมให้เทียบเคียงเครื่องหมาย 0°

ทำซ้ำขั้นตอนทำงานดังกล่าวข้างต้นสำหรับมุมเอียงในแนวตั้ง 45° (คลายสกรู (66) ออก เลื่อนตัวหยุด 45° (22)) ในขั้นตอนนี้เข็มชี้มุม (59) จะต้องไม่ถูกปรับเลื่อนอีกครั้ง

ความขนานของใบเลื่อยกับร่องนำของฉากหยุดมุม (ดูภาพประกอบ J)

- จัดเครื่องมือไฟฟ้าให้อยู่ในตำแหน่งทำงาน

การตรวจสอบ

- ไขดินสอทำเครื่องหมายที่พื้นเลื่อยซึ่งแรกทางด้านซ้ายที่มองเห็นได้ทางด้านหลังเหนือแผ่นแทรกโต๊ะ
- ตั้งเกจวัดมุมที่ 90° และวางไว้ที่ขอบของร่องนำ (5)
- เลื่อนขาของเกจวัดมุมจนขาสัมผัสพื้นเลื่อยที่ทำเครื่องหมายไว้ และอ่านค่าระยะห่างระหว่างใบเลื่อยและร่องนำ
- หมุนใบเลื่อยจนฟันที่ทำเครื่องหมายไว้ที่ด้านหน้าอยู่เหนือแผ่นแทรกโต๊ะ
- เลื่อนเกจวัดมุมไปตามร่องนำไปยังฟันเลื่อยที่ทำเครื่องหมายไว้
- วัดระยะห่างระหว่างใบเลื่อยและร่องนำอีกครั้ง ระยะห่างทั้งสองจะต้องเหมือนกัน

การปรับ

- คลายสกรูหัวจมทกเหลี่ยม (67) ด้านหน้าโต๊ะเลื่อย และสกรูหัวจมทกเหลี่ยม (68) ด้านท้ายบนโต๊ะเลื่อยออกด้วยประแจขันทกเหลี่ยม
- เลื่อนใบเลื่อยอย่างระมัดระวังจนใบเลื่อยขนานกับร่องนำ (5)
- ยึดสกรู (67) และ (68) ทั้งหมดกลับให้แน่นอีกครั้ง

การปรับเข็มชี้ระยะห่างของโต๊ะเลื่อย (ดูภาพประกอบ K)

- จัดวางแผงกำหนดแนวขนานบนด้านขวาของใบเลื่อยเลื่อนแผงกำหนดแนวขนานจนเครื่องหมายในแนวขยาย (62) แสดงบนมาตราส่วนล่างตัวเลข 28 ซม. เมื่อต้องการล็อกให้กดค้ำหนีบ (43) ลงอีกครั้ง
- ดึงค้ำหนีบ (20) ขึ้นด้านบนทั้งหมดและดึงส่วนขยายโต๊ะ (10) ออกด้านบนจนสุด

การตรวจสอบ

เข็มชี้ระยะห่าง (63) ต้องแสดงค่าบนมาตราส่วนบน (2) เหมือนกับค่าที่เครื่องหมายในแนวขยาย (62) แสดงบนมาตราส่วน (1)

การปรับ

- ดึงส่วนขยายโต๊ะ (10) ออกด้านบนจนสุด
- คลายสกรู (69) ออกด้วยไขควงปากแฉก และจัดแนวเข็มชี้ระยะห่าง (63) ตามเครื่องหมาย 28 ซม. ของมาตราส่วนบน (1)

การปรับความขนานของแผงกำหนดแนวขนาน (ดูภาพประกอบ L)

- จัดเครื่องมือไฟฟ้าให้อยู่ในตำแหน่งทำงาน
- ถอดตัวล็อกการตีกลับ (7) และพับกระบังป้องกัน (6) ไปทางด้านหลัง
- คลายค้ำหนีบ (43) ของแผงกำหนดแนวขนานออก และเลื่อนไปจนสัมผัสใบเลื่อย

การตรวจสอบ

แผงกำหนดแนวขนาน (9) ต้องสัมผัสใบเลื่อยตลอดความยาวทั้งหมด

การปรับ

- คลายสกรูหัวจมทกเหลี่ยม (70) ออกด้วยประแจขันทกเหลี่ยม
- เลื่อนแผงกำหนดแนวขนาน (9) อย่างระมัดระวังจนสัมผัสใบเลื่อยตลอดความยาวทั้งหมด
- จับแผงกำหนดแนวขนานไว้ในตำแหน่งนี้ และกดค้ำหนีบ (43) ลงอีกครั้ง
- ยึดสกรูหัวจมทกเหลี่ยม (70) กลับให้แน่นอีกครั้ง

การปรับแนวขยายของแผงกำหนดแนวขนาน (ดูภาพประกอบ L)

- จัดเครื่องมือไฟฟ้าให้อยู่ในตำแหน่งทำงาน
- ถอดตัวล็อกการตีกลับ (7) และพับกระบังป้องกัน (6) ไปทางด้านหลัง
- เลื่อนแผงกำหนดแนวขนาน (9) จากด้านขวาจนสัมผัสใบเลื่อย

การตรวจสอบ

เครื่องหมายของแนวขยาย (62) ต้องอยู่ในแนวเดียวกันกับเครื่องหมาย 0° มม. ของมาตราส่วน (1)

การปรับ

- คลายสกรู (71) ออกด้วยไขควงปากแฉกและจัดแนวเข็มชี้ระยะห่างตามเครื่องหมาย 0 มม.

การจัดเก็บและการขนย้าย**การจัดเก็บชิ้นส่วนของเครื่อง (ดูภาพประกอบ M - N)**

สำหรับการจัดเก็บ ท่านสามารถยึดชิ้นส่วนบางตัวของเครื่องเข้ากับเครื่องมือไฟฟ้าได้

- ถอดแผงกำหนดแนวขนานเพิ่ม (47) ออกจากแผงกำหนดแนวขนาน (9)
- ใส่ชิ้นส่วนเครื่องมือที่ปลดออกได้ทั้งหมดไว้ในช่องจัดเก็บบนตัวเรือน (ดูตารางต่อไปนี้)

ภาพประกอบ	ชิ้นส่วนของเครื่อง	ช่องจัดเก็บ
M	ประแจแหวน (35)	เสียบเข้าในช่องจัดเก็บเครื่องมือ (33)
M	ประแจตะขอ/ประแจปากตาย (36)	เสียบเข้าในช่องจัดเก็บเครื่องมือ (33)
M	ตัวล็อกการตีกลับ (7)	เสียบเข้าในช่องจัดเก็บเครื่องมือ (33)

ภาพ ชิ้นส่วนของเครื่อง ช่างจัดเก็บ ประกอบ

M	ฉากหยุดมุม (3) พร้อมรางโปรไฟล์ (50)	สอดเข้าในที่ยึดที่ช่างจัดเก็บ (29)
N	แผงกำหนดแนว ขนาน (9) พร้อม แผงกำหนดแนว ขนานเพิ่มเติมที่ตั้งอยู่ (47)	วางในช่างจัดเก็บเครื่องมือ (12)
N	ไม้คั้น (15)	เสียบเข้าในช่างจัดเก็บเครื่องมือ (21)

การบำรุงรักษาและการบริการ

การบำรุงรักษาและการทำความสะอาด

- ▶ ดึงปลั๊กไฟออกจากเต้าเสียบก่อนปรับแต่งเครื่อง
- ▶ เพื่อให้ทำงานได้อย่างถูกต้องและปลอดภัย
ต้องรักษาเครื่องและช่องระบายอากาศ
ให้สะอาดอยู่เสมอ

หากจำเป็นต้องเปลี่ยนสายไฟฟ้า ต้องส่งเครื่องให้ **Bosch** หรือศูนย์บริการหลังการขายที่ได้รับมอบหมายสำหรับเครื่องมือไฟฟ้า **Bosch** เปลี่ยนให้ ทั้งนี้เพื่อหลีกเลี่ยงอันตราย

การทำความสะอาด

หลังเสร็จงานทุกครั้ง ให้เอาผง
ฝุ่นและเศษออกโดยเป่าด้วยอากาศอัดหรือไข้แปรงบัด

การหล่อลื่นเครื่องมือไฟฟ้า



- สารหล่อลื่น:**
น้ำมันเครื่อง SAE 10/SAE 20
- หล่อลื่นเครื่องมือไฟฟ้าตามความจำเป็นตรง
ตำแหน่งที่ระบุ

ศูนย์บริการลูกค้า บอช ที่ได้รับมอบหมายสามารถทำงานนี้ได้
อย่างรวดเร็วและเชื่อถือได้

กำจัดสารหล่อลื่นและสารทำความสะอาด ในลักษณะที่เป็น
มิตรต่อสิ่งแวดล้อม ปฏิบัติตามข้อบังคับทางกฎหมาย

มาตรการลดเสียงรบกวน

มาตรการโดยผู้ผลิต:

- การลดระดับเสียงรบกวน
- การส่งมอบพร้อมใบเลื่อยที่พัฒนาขึ้นเป็นพิเศษสำหรับลด
เสียงรบกวน

มาตรการโดยผู้ใช้:

- การติดตั้งแบบให้มีการสั่นสะเทือนน้อยบนพื้นผิวทำงานที่
มั่นคง
- การใช้ใบเลื่อยที่มีคุณสมบัติลดเสียงรบกวน
- การทำความสะอาดใบเลื่อยและเครื่องมือไฟฟ้าเป็นประจำ

อุปกรณ์ประกอบ

	หมายเลขสินค้า
ฉากหยุดมุม	2 610 015 508
ไม้คั้น	1 600 A02 2D7
ใบเลื่อยสำหรับไม้และวัสดุที่เป็นแผ่น แผ่นกระดานและแผ่นไม้อาย/คิ้วบัว	หมายเลขสินค้า
ใบเลื่อย 254 x 25.4 มม. 40 ซี่ฟัน	2 608 640 901
ใบเลื่อย 254 x 25.4 มม. 60 ซี่ฟัน	2 608 640 902

การบริการหลังการขายและการให้คำปรึกษาการ ใช้งาน

ศูนย์บริการหลังการขายของเรายินดีตอบคำถามของ
ท่านที่เกี่ยวกับการบำรุงรักษาและการซ่อมแซมผลิตภัณฑ์รวม
ทั้งเรื่องอะไหล่ ภาพเขียนแบบการประกอบและข้อมูลเกี่ยวกับ
อะไหล่ กรุณาดูใน: **www.bosch-pt.com**

ทีมงานที่ปรึกษาของ บอช ยินดีให้ข้อมูลเกี่ยวกับผลิตภัณฑ์
ของเราและอุปกรณ์ประกอบต่าง ๆ

เมื่อต้องการสอบถามและสั่งซื้ออะไหล่ กรุณาแจ้งหมายเลข
สินค้า 10 หลักบนแผ่นป้ายรุ่นของผลิตภัณฑ์ทุกครั้ง

ไทย

ไทย บริษัท โรเบิร์ต บอช จำกัด
เอฟวายไอ เซ็นเตอร์ อาคาร 1 ชั้น 5
เลขที่ 2525 ถนนพระราม 4

แขวงคลองเตย เขตคลองเตย กรุงเทพฯ 10110

โทร: +66 2012 8888

แฟกซ์: +66 2064 5800

www.bosch.co.th

ศูนย์บริการซ่อมและฝึกอบรม บอช

อาคาร ลาชาลทาวเวอร์ ชั้น G ห้องเลขที่ 2

บ้านเลขที่ 10/11 หมู่ 16

ถนนศรีนครินทร์ ตำบลบางแก้ว อำเภอบางพลี

จังหวัดสมุทรปราการ 10540

ประเทศไทย

โทรศัพท์ 02 7587555

โทรสาร 02 7587525

สามารถดูที่อยู่ศูนย์บริการอื่นๆ ได้ที่:

www.bosch-pt.com/serviceaddresses

การกำจัดขยะ

เครื่องมือไฟฟ้า อุปกรณ์ประกอบ และหีบห่อ ต้องนำไปแยกประเภทวัสดุเพื่อการรีไซเคิลที่เป็นมิตรต่อสิ่งแวดล้อม อย่าทิ้งเครื่องมือไฟฟ้าลงในขยะบ้าน!



Bahasa Indonesia

Petunjuk Keselamatan

Petunjuk Keselamatan Umum Perkakas Listrik

⚠ PERINGATAN Baca semua peringatan, petunjuk, ilustrasi, dan spesifikasi keselamatan yang diberikan bersama perkakas listrik ini. Kesalahan dalam menjalankan petunjuk di bawah ini dapat mengakibatkan sengatan listrik, kebakaran, dan/atau cedera serius.

Simpanlah semua peringatan dan petunjuk untuk penggunaan di masa mendatang.

Istilah "perkakas listrik" dalam peringatan mengacu pada perkakas listrik yang dioperasikan dengan listrik (menggunakan kabel) atau perkakas listrik yang dioperasikan dengan baterai (tanpa kabel).

Keamanan tempat kerja

- ▶ **Jaga kebersihan dan pencahayaan area kerja.** Area yang berantakan atau gelap dapat memicu kecelakaan.
- ▶ **Jangan mengoperasikan perkakas listrik di lingkungan yang dapat memicu ledakan, seperti adanya cairan, gas, atau debu yang mudah terbakar.** Perkakas listrik dapat memancarkan bunga api yang kemudian mengakibatkan debu atau uap terbakar.
- ▶ **Jauhkan dari jangkauan anak-anak dan pengamat saat mengoperasikan perkakas listrik.** Gangguan dapat menyebabkan hilangnya kendali.

Keamanan listrik

- ▶ **Steker perkakas listrik harus sesuai dengan stopkontak. Jangan pernah memodifikasi steker. Jangan menggunakan steker adaptor bersama dengan perkakas listrik yang terhubung dengan sistem grounding.** Steker yang tidak dimodifikasi dan stopkontak yang cocok akan mengurangi risiko sengatan listrik.
- ▶ **Hindari kontak badan dengan permukaan yang terhubung dengan sistem grounding, seperti pipa, radiator, kompor, dan lemari es.** Terdapat peningkatan risiko terjadinya sengatan listrik jika badan Anda terhubung dengan sistem grounding.

- ▶ **Perkakas listrik tidak boleh terpapar hujan atau basah.** Air yang masuk ke dalam perkakas listrik menambah risiko terjadinya sengatan listrik.
- ▶ **Jangan menyalahgunakan kabel. Jangan gunakan kabel untuk membawa, menarik, atau melepas steker perkakas listrik. Jauhkan kabel dari panas, minyak, tepi yang tajam, atau komponen yang bergerak.** Kabel listrik yang rusak atau tersangkut menambah risiko terjadinya sengatan listrik.
- ▶ **Saat mengoperasikan perkakas listrik di luar ruangan, gunakan kabel ekstensi yang sesuai untuk penggunaan di luar ruangan.** Penggunaan kabel yang cocok untuk pemakaian di luar ruangan mengurangi risiko terjadinya sengatan listrik.
- ▶ **Jika perkakas listrik memang harus dioperasikan di tempat yang lembap, gunakan pemutus arus listrik residu (RCD).** Penggunaan RCD akan mengurangi risiko terjadinya sengatan listrik.

Keselamatan personel

- ▶ **Tetap waspada, perhatikan aktivitas yang sedang dikerjakan dan gunakan akal sehat saat mengoperasikan perkakas listrik. Jangan gunakan perkakas listrik saat mengalami kelelahan atau di bawah pengaruh narkoba, alkohol, atau obat-obatan.** Jika perkakas listrik dioperasikan dengan daya konsentrasi yang rendah, hal tersebut dapat menyebabkan cedera serius.
- ▶ **Gunakan peralatan pelindung diri. Selalu kenakan pelindung mata.** Penggunaan perlengkapan pelindung seperti penutup telinga, helm, sepatu anti licin, dan masker debu akan mengurangi cedera.
- ▶ **Hindari start yang tidak disengaja. Pastikan switch berada di posisi off sebelum perkakas listrik dihubungkan ke sumber daya listrik dan/atau baterai, diangkat, atau dibawa.** Membawa perkakas listrik dengan jari menempel pada tombol atau perkakas listrik dalam keadaan hidup dapat memicu kecelakaan.
- ▶ **Singkirkan kunci penyetel atau kunci pas sebelum menghidupkan perkakas listrik.** Perkakas atau kunci pas yang masih menempel pada komponen perkakas listrik yang berputar dapat menyebabkan cedera.
- ▶ **Jangan melampaui batas. Berdirilah secara mantap dan selalu jaga keseimbangan.** Hal ini akan memberikan kontrol yang lebih baik terhadap perkakas listrik pada situasi yang tak terduga.
- ▶ **Kenakan pakaian dengan wajar. Jangan mengenakan perhiasan atau pakaian yang longgar. Jauhkan rambut dan pakaian dari komponen yang bergerak.** Pakaian yang longgar, rambut panjang, atau perhiasan dapat tersangkut dalam komponen yang bergerak.
- ▶ **Jika disediakan perangkat untuk sambungan pengisapan debu dan alat pengumpulan, pastikan perangkat tersebut terhubung dan digunakan dengan benar.** Penggunaan alat pengumpulan dapat mengurangi bahaya yang disebabkan oleh debu.

- ▶ **Jangan berpuas diri dan mengabaikan prinsip keselamatan karena terbiasa mengoperasikan perkakas.** Tindakan yang kurang hati-hati dapat mengakibatkan cedera serius dalam waktu sepersekian detik.

Penggunaan dan pemeliharaan perkakas listrik

- ▶ **Jangan memaksakan perkakas listrik. Gunakan perkakas listrik yang sesuai untuk pekerjaan yang dilakukan.** Perkakas listrik yang sesuai akan bekerja dengan lebih baik dan aman sesuai tujuan penggunaan.
- ▶ **Jangan gunakan perkakas listrik dengan switch yang tidak dapat dioperasikan.** Perkakas listrik yang switchnya yang tidak berfungsi dapat menimbulkan bahaya dan harus diperbaiki.
- ▶ **Lepaskan steker dari sumber listrik dan/atau lepas baterai, jika dapat dilepaskan dari perkakas listrik sebelum menyatel, mengganti aksesoris, atau menyimpan perkakas listrik.** Tindakan preventif akan mengurangi risiko menghidupkan perkakas listrik secara tidak disengaja.
- ▶ **Jauhkan dan simpan perkakas listrik dari jangkauan anak-anak dan jangan biarkan orang-orang yang tidak mengetahui cara menggunakan perkakas listrik, mengoperasikan perkakas listrik.** Perkakas listrik dapat membahayakan jika digunakan oleh orang-orang yang tidak terlatih.
- ▶ **Lakukan pemeliharaan perkakas listrik dan aksesoris. Periksa komponen yang bergerak apabila tidak lurus atau terikat, kerusakan komponen, dan kondisi lain yang dapat mengganggu pengoperasian perkakas listrik. Apabila rusak, perbaiki perkakas listrik sebelum digunakan.** Kecelakaan sering terjadi karena perkakas listrik tidak dirawat dengan baik.
- ▶ **Jaga ketajaman dan kebersihan alat.** Alat pemotong dengan pisau pemotong yang tajam dan dirawat dengan baik tidak akan mudah tersangkut dan lebih mudah dikendalikan.
- ▶ **Gunakan perkakas listrik, aksesoris, dan komponen perkakas dll sesuai dengan petunjuk ini, dengan mempertimbangkan kondisi kerja dan pekerjaan yang akan dilakukan.** Penggunaan perkakas listrik untuk tujuan berbeda dari fungsinya dapat menyebabkan situasi yang berbahaya.
- ▶ **Jaga gagang dan permukaan genggam agar tetap kering, bersih, dan bebas dari minyak dan lemak.** Gagang dan permukaan genggam yang licin tidak menjamin keamanan kerja dan kontrol alat yang baik pada situasi yang tidak terduga.

Servis

- ▶ **Minta teknisi berkualifikasi untuk menyervis perkakas listrik dengan hanya menggunakan suku cadang yang identik.** Dengan demikian, hal ini akan memastikan keamanan perkakas listrik.

Petunjuk keselamatan untuk gergaji meja

Peringatan terkait perlindungan

- ▶ **Jaga pelindung agar tetap berada di tempatnya. Pelindung harus berfungsi dengan baik dan terpasang dengan benar.** Pelindung yang longgar, rusak, atau tidak berfungsi dengan benar harus diperbaiki atau diganti.
- ▶ **Selalu gunakan pelindung mata pisau, riving knife, dan perangkat anti sentakan untuk setiap pengoperasian through-cutting.** Untuk pengoperasian through-cutting yaitu bilah gergaji memotong hingga menembus benda kerja, pelindung dan perangkat keselamatan lainnya membantu mengurangi risiko cedera.
- ▶ **Segera pasang kembali sistem perlindungan setelah menyelesaikan pengoperasian (seperti pembuatan rabbet) yang mengharuskan pelepasan pelindung, riving knife dan/atau perangkat anti-kickback.** Pelindung, riving knife dan perangkat anti-kickback membantu mengurangi risiko cedera.
- ▶ **Pastikan bilah gergaji tidak menyentuh pelindung, riving knife, atau benda kerja sebelum gergaji dinyalakan.** Apabila bilah gergaji menyentuh benda-benda tersebut, maka dapat menyebabkan kondisi yang berbahaya.
- ▶ **Atur riving knife seperti yang telah diinstruksikan pada buku panduan pengguna.** Jarak, posisi, dan penyejajaran yang tidak benar dapat membuat riving knife tidak bekerja dengan efektif dalam mencegah sentakan.
- ▶ **Agar riving knife dan perangkat anti sentakan dapat bekerja, riving knife harus bertaut dengan benda kerja.** Riving knife dan perangkat anti sentakan menjadi tidak efektif saat memotong benda kerja yang terlalu pendek untuk disatukan dengan riving knife dan perangkat anti sentakan. Dalam kondisi ini, sentakan tidak dapat dicegah oleh riving knife dan perangkat anti sentakan.
- ▶ **Gunakan bilah gergaji yang sesuai untuk riving knife.** Agar riving knife dapat berfungsi dengan benar, diameter bilah gergaji harus sesuai dengan riving knife dan bodi bilah pisau harus lebih tipis dari riving knife, dan ketebalan pemotongan bilah gergaji harus lebih besar dari ketebalan riving knife.

Peringatan prosedur pemotongan

- ▶ **⚠️ AWAS: Jangan pernah posisikan jari atau tangan Anda di sekitar atau pada jalur bilah gergaji.** Jika Anda tidak waspada atau terpeleset, hal tersebut dapat menyebabkan tangan Anda menyentuh bilah gergaji dan menyebabkan cedera serius.
- ▶ **Hanya arahkan benda kerja ke bilah gergaji berlawanan dengan arah putaran gergaji.** Mengarahkan benda kerja searah bilah gergaji saat berputar di atas meja dapat menyebabkan benda kerja, dan tangan Anda tertarik ke arah bilah gergaji.

- ▶ **Jangan pernah gunakan pengukur miter untuk mengarahkan benda kerja ketika membelah dan jangan gunakan penahan rip sebagai pembatas panjang ketika melakukan pemotongan silang dengan pengukur miter.** Mengarahkan benda kerja dengan penahan rip dan pengukur miter secara bersamaan meningkatkan kemungkinan bilah gergaji terjepit dan menyentak.
 - ▶ **Ketika membelah, selalu tekan benda kerja di antara penahan dan bilah gergaji. Gunakan tongkat dorong ketika jarak antara penahan dan bilah gergaji kurang dari 150mm, dan gunakan balok pendorong ketika jaraknya kurang dari 50mm.** Perangkat "Pembantu pekerjaan" akan menjaga tangan Anda dalam jarak aman dari bilah gergaji.
 - ▶ **Hanya gunakan tongkat dorong yang disediakan oleh produsen atau dibuat sesuai dengan instruksi.** Tongkat dorong ini memberikan jarak aman bagi tangan terhadap bilah gergaji.
 - ▶ **Jangan pernah gunakan tongkat dorong yang rusak atau terpotong.** Tongkat dorong yang rusak dapat pecah dan menyebabkan tangan Anda terpeleset ke arah bilah gergaji.
 - ▶ **Jangan pernah lakukan pengoperasian apa pun "dengan tangan kosong".** Selalu gunakan penahan rip atau pengukur miter untuk memosisikan dan mengarahkan benda kerja. "Bekerja dengan tangan kosong" berarti menggunakan tangan Anda untuk menopang atau mengarahkan benda kerja, alih-alih menggunakan penahan rip atau pengukur miter. Penggerak dengan tangan kosong menyebabkan pemotongan tidak rapi, terjepit, dan sentakan.
 - ▶ **Jangan pernah meraih benda apa pun di sekitar atau di atas bilah gergaji yang sedang berputar.** Meraih benda kerja dapat menyebabkan kecelakaan ketika bilah gergaji masih berputar.
 - ▶ **Berikan penopang tambahan untuk benda kerja di belakang dan/atau di samping meja gergaji untuk benda kerja yang panjang dan/atau lebar agar tetap rata.** Benda kerja yang panjang dan/atau lebar seringkali berubah posisi pada tepian meja sehingga menyebabkan kehilangan kontrol, dan bilah gergaji terjepit dan menyentak.
 - ▶ **Arahkan benda kerja dengan kecepatan yang stabil. Jangan tekuk atau pelintir benda kerja. Jika terjadi kemacetan, segera matikan perkakas, cabut steker lalu hilangkan penyebab kemacetan.** Bilah gergaji yang macet akibat benda kerja dapat menyebabkan sentakan atau menyebabkan mesin mati.
 - ▶ **Jangan menyingkirkan potongan material ketika gergaji masih berputar.** Material tersebut dapat terjebak di antara penahan atau di dalam pelindung bilah gergaji dan bilah gergaji dapat menarik jari Anda. Matikan gergaji dan tunggu hingga bilah gergaji berhenti berputar sebelum melepaskan material.
 - ▶ **Gunakan penahan tambahan yang menyentuh bagian atas meja ketika membelah benda kerja dengan ketebalan kurang dari 2 mm.** Benda kerja yang tipis dapat terjepit di bawah penahan rip dan menghasilkan sentakan.
- Penyebab sentakan dan peringatan terkait**
- Sentakan adalah reaksi seketika dari benda kerja akibat bilah gergaji yang terjepit, macet, atau garis pemotongan benda kerja tidak sejajar dengan bilah gergaji atau ketika bagian dari benda kerja terjepit di antara bilah gergaji dan penahan rip atau benda lainnya yang terpasang di tempatnya.
- Seringkali saat terjadi sentakan, benda kerja terangkat dari meja dari bagian belakang bilah gergaji dan terlontar ke arah operator.
- Sentakan merupakan akibat dari penggunaan yang salah pada gergaji dan/atau prosedur atau syarat pengoperasian atau syarat-syarat penggunaan yang tidak tepat, namun dapat dihindari dengan melakukan tindakan pencegahan yang tepat seperti yang diberikan di bawah ini.
- ▶ **Jangan pernah berdiri searah dengan bilah gergaji. Selalu posisikan tubuh Anda di sisi yang sama dengan penahan pada sisi bilah gergaji.** Sentakan dapat melontarkan benda kerja dengan kecepatan tinggi ke arah siapa pun yang berdiri di depan atau searah dengan bilah gergaji.
 - ▶ **Jangan pernah meraih ke belakang atau ke atas bilah gergaji untuk menarik atau menopang benda kerja.** Kecelakaan dengan bilah gergaji dapat terjadi atau sentakan dapat menarik jari Anda ke arah bilah gergaji.
 - ▶ **Jangan pernah menahan dan menekan benda kerja yang sedang dipotong menggunakan bilah gergaji yang berputar.** Menekan benda kerja yang sedang dipotong dengan arah berlawanan dari bilah gergaji akan menyebabkan terjepit dan sentakan.
 - ▶ **Sejajarkan penahan secara paralel dengan bilah gergaji.** Penahan yang tidak sejajar akan menjepit benda kerja dengan bilah gergaji dan menyebabkan sentakan.
 - ▶ **Gunakan featherboard untuk mengarahkan benda kerja ke meja dan penahan ketika melakukan pemotongan tanpa menembus benda kerja, seperti membuat rabbet.** Featherboard membantu mengontrol benda kerja ketika terjadi sentakan.
 - ▶ **Berikan penyangga pada panel yang besar untuk mengurangi risiko bilah gergaji terjepit dan tersentak.** Panel yang besar cenderung akan merosot akibat besarnya beban. Penopang harus dipasang di bawah semua bagian panel yang melewati bagian atas meja.
 - ▶ **Sangat berhati-hatilah ketika memotong benda kerja yang terpelintir, tersimpul, melengkung, atau tidak memiliki tepian lurus untuk mengarahkannya dengan pengukur miter atau dengan penahan.** Benda kerja yang melengkung, tersimpul, atau terpelintir tidak stabil dan menyebabkan goresan tidak sejajar pada bilah gergaji, terjepit, dan tersentak.
 - ▶ **Jangan pernah memotong lebih dari satu benda kerja, baik yang ditumpuk secara horizontal maupun**

vertikal. Bilah gergaji dapat menarik salah satu benda atau lebih dan menyebabkan sentakan.

- ▶ **Saat menjalankan ulang gergaji dengan bilah gergaji pada benda kerja, pusatkan bilah gergaji pada celah pemotongan sehingga gerigi gergaji tidak masuk ke material.** Jika bilah gergaji tersangkut, benda kerja dapat terangkat dan menyebabkan sentakan ketika gergaji dinyalakan kembali.
- ▶ **Jaga bilah gergaji tetap bersih, tajam, dan lengkap. Jangan pernah gunakan bilah gergaji yang melengkung atau bilah gergaji dengan gerigi yang retak atau rusak.** Tajamkan dan pasang bilah gergaji dengan benar untuk meminimalisasi terjepit, macet, dan terjadi sentakan.

Peringatan prosedur pengoperasian gergaji meja

- ▶ **Matikan gergaji meja dan cabut steker listrik ketika melepaskan sisipan meja, mengganti bilah gergaji, atau mengatur riving knife, perangkat anti sentakan, atau pelindung bilah gergaji, dan ketika perkakas sedang tidak dalam pengawasan.** Tindakan pencegahan akan menghindari kecelakaan.
- ▶ **Jangan pernah biarkan gergaji meja beroperasi tanpa pengawasan. Matikan dan jangan tinggalkan perkakas hingga benar-benar berhenti.** Gergaji yang beroperasi tanpa pengawasan adalah bahaya yang tak terkontrol.
- ▶ **Posisikan gergaji meja di area yang datar dan dengan perangan yang cukup sehingga keseimbangan dan pijakan yang baik dapat terjaga. Gergaji harus dipasang di area yang memiliki cukup ruang agar dapat memegang benda kerja dengan mudah.** Area yang sempit, gelap, dan dengan lantai yang tidak rata serta licin dapat menyebabkan kecelakaan.
- ▶ **Bersihkan dan buang serbuk gergaji dari bawah meja gergaji dan/atau perangkat pengumpul debu secara berkala.** Serbuk gergaji yang terkumpul mudah terbakar dan dapat menyebabkan kebakaran dengan sendirinya.
- ▶ **Gergaji meja harus terpasang dengan kuat.** Gergaji meja yang tidak terpasang dengan benar dapat bergerak atau terbalik.
- ▶ **Singkirkan alat-alat, serpihan kayu, dan lain sebagainya dari meja sebelum gergaji meja dinyalakan.** Gangguan atau potensi terjepit dapat membahayakan.
- ▶ **Selalu gunakan bilah gergaji dengan ukuran dan bentuk lubang poros yang sesuai (belah ketupat versus bulat).** Bilah gergaji yang tidak sesuai dengan perangkat keras yang terpasang pada gergaji akan bergerak tidak simetris dan mengakibatkan kehilangan kendali.
- ▶ **Jangan pernah menggunakan komponen pemasangan bilah gergaji yang rusak atau tidak tepat seperti flensa, washer bilah gergaji, baut, atau mur.** Komponen pemasangan tersebut dirancang khusus untuk gergaji Anda, untuk pengoperasian yang aman dan kinerja optimal.

- ▶ **Jangan pernah berdiri di atas gergaji meja, jangan gunakan meja gergaji sebagai pijakan.** Cedera serius dapat terjadi jika perkakas terbalik atau jika Anda menyentuh alat pemotong secara tidak sengaja.
- ▶ **Pastikan bilah gergaji terpasang agar dapat berputar ke arah yang tepat. Jangan gunakan roda gerinda, sikat kawat, atau roda abrasif pada gergaji meja.** Pemasangan bilah gergaji yang tidak tepat atau penggunaan aksesoris yang tidak disarankan dapat menyebabkan cedera serius.

Petunjuk Keselamatan tambahan

- ▶ **Pakailah sarung tangan pelindung pada waktu memasang mata gergaji.** Terdapat risiko cedera.
- ▶ **Jangan menggunakan mata gergaji berbahan baja HSS (High-speed Steel).** Mata gergaji dari bahan ini mudah patah.
- ▶ **Gunakanlah hanya mata gergaji yang sesuai dengan data yang tercantum di panduan pengoperasian dan pada perkakas listrik serta telah diuji menurut peraturan EN 847-1, dan sesuai dengan yang digambarkan.**
- ▶ **Jangan pernah gunakan perkakas listrik tanpa meja sisipan. Ganti meja sisipan yang rusak.** Anda dapat terluka oleh mata gergaji apabila menggunakan meja sisipan yang rusak.
- ▶ **Jaga tempat pengerjaan tetap bersih.** Campuran bahan yang berserakan cukup berbahaya. Debu logam yang kecil dapat terbakar atau menimbulkan ledakan.
- ▶ **Pilih mata gergaji yang sesuai untuk bahan yang akan dikerjakan.**
- ▶ **Gunakanlah hanya mata gergaji yang dianjurkan oleh produsen perkakas listrik ini dan yang sesuai dengan bahan yang dikerjakan.**
- ▶ **Arahkan benda kerja hanya pada mata gergaji yang berjalan mendekat.** Jika terbalik, dapat terjadi sentakan karena mata gergaji tersangkut pada benda yang dikerjakan.

Simbol-simbol

Simbol-simbol berikut dapat membantu Anda dalam menggunakan perkakas listrik. Pelajari dan ingat simbol-simbol berikut beserta maknanya. Pengertian yang betul dari simbol-simbol ini bisa membantu Anda untuk menggunakan perkakas listrik dengan lebih baik dan aman.

Simbol dan artinya



Jangan mendekatkan tangan Anda pada area pemotongan saat perkakas listrik beroperasi. Sentuhan dengan mata gergaji dapat mengakibatkan cedera.

Simbol dan artinya

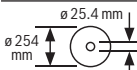
Pakailah kacamata pelindung.



Pakailah pelindung telinga. Suara bising dapat menyebabkan daya pendengaran berkurang.

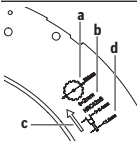


Kenakan masker pelindung debu.



Perhatikan ukuran mata gergaji. Diameter lubang harus sesuai dengan poros perkakas dan tidak goyah. Jika penggunaan reduktor diperlukan, pastikan ukuran reduktor sesuai dengan ketebalan bilah baja, diameter lubang pada mata gergaji serta diameter poros perkakas. Sebaiknya, gunakan reduktor yang disertakan bersama mata gergaji.

Diameter mata gergaji harus sesuai dengan informasi pada simbol.

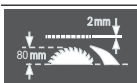


a Diameter mata gergaji tidak boleh lebih dari 25,4 mm.

b Ketebalan pisau riving sebesar 2 mm.

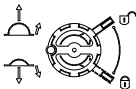
c Arah panah gigi (arah panah pada mata gergaji) harus sesuai dengan arah panah pada pisau riving.

d Saat mengganti mata gergaji, pastikan lebar pemotongan tidak kurang dari 2,4 mm dan ketebalan bilah baja tidak boleh lebih dari 1,8 mm. Jika tidak, pisau riving berisiko tersangkut pada benda kerja.



Ketebalan pisau riving sebesar 2 mm.

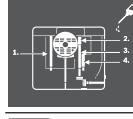
Ketinggian benda kerja maksimal sebesar 80 mm.

**Sisi kiri:**

Menunjukkan arah putaran engkol untuk menurunkan (**Posisi pengangkutan**) dan mengangkat (**Posisi pengoperasian**) mata gergaji.

Sisi kanan:

Menunjukkan posisi tuas pengunci untuk mengunci mata gergaji dan saat mengatur sudut mitre vertikal (mata gergaji dapat digerakkan).

Simbol dan artinya

Jika perlu, lumasi perkakas listrik pada bagian-bagian yang ditunjukkan.



Perkakas listrik dengan perlindungan kelas II diperkuat atau terisolasi ganda.



Dengan tanda CE, produsen memastikan bahwa perkakas listrik sesuai dengan pedoman UE (Directive EU) yang berlaku.

Spesifikasi produk dan performa

Bacalah semua petunjuk keselamatan dan petunjuk penggunaan. Kesalahan dalam menjalankan petunjuk keselamatan dan petunjuk penggunaan dapat mengakibatkan kontak listrik, kebakaran, dan/atau luka-luka yang berat.

Perhatikan ilustrasi yang terdapat pada sisi sampul panduan pengoperasian.

Tujuan penggunaan

Perkakas listrik ini dirancang khusus untuk memotong dalam arah memanjang dan melintang dengan pemotongan lurus pada kayu keras dan kayu lunak serta chipboard dan fibreboard. Sudut potong horizontal dapat dilakukan mulai -30° hingga $+30^\circ$ dan sudut potong vertikal dapat dilakukan mulai 0° hingga 45° .

Jika menggunakan mata gergaji yang sesuai, perkakas listrik juga dapat digunakan untuk menggergaji profil aluminium dan bahan sintetis.

Ilustrasi komponen

Nomor-nomor dari bagian-bagian perkakas pada gambar sesuai dengan gambar perkakas listrik pada halaman bergambar.

- (1) Skala untuk jarak mata gergaji ke mistar sejajar
- (2) Skala untuk jarak mata gergaji ke mistar sejajar saat meja potong ditarik ke luar
- (3) Mistar sudut
- (4) Meja potong
- (5) Lekukan pemandu untuk mistar sudut
- (6) Tutup pelindung
- (7) Pengunci kickback
- (8) Sisipan meja
- (9) Mistar sejajar
- (10) Ekstensi meja potong
- (11) Lekukan tempat memegang
- (12) Tempat penyimpanan mistar sejajar
- (13) Pelindung antimiring
- (14) Rangka bawah

- | | |
|--|--|
| (15) Tuas pendorong | (46) Lekukan pemandu untuk mistar sejajar |
| (16) Tuas pengunci untuk mengatur sudut mitre vertikal | (47) Mistar sejajar tambahan |
| (17) Engkol untuk mengangkat dan menurunkan mata gergaji | (48) Set pengencangan "Mistar sejajar tambahan" |
| (18) Alat putar tangan | (49) Rel pemandu pada mistar sudut |
| (19) Tutup pengaman tombol on/off | (50) Rel profil |
| (20) Knop penjepit ekstensi meja potong | (51) Mur kupu-kupu rel profil |
| (21) Tempat penyimpanan tuas pendorong | (52) Penutup mata gergaji bawah |
| (22) Batas untuk sudut mitre 45° (vertikal) | (53) Sekrup pengencangan penutup mata gergaji bawah |
| (23) Skala untuk sudut mitre (vertikal) | (54) Lubang gagang sisipan meja |
| (24) Batas untuk sudut mitre 0° (vertikal) | (55) Flensa penjepit |
| (25) Tombol on | (56) Baut heksagonal mata gergaji |
| (26) Tombol start ulang | (57) Cincin |
| (27) Pisau riving | (58) Flensa dudukan |
| (28) Mata gergaji | (59) Indikator sudut (vertikal) |
| (29) Tempat penyimpanan mistar sudut | (60) Knop pengunci untuk sudut mitre mana pun (horizontal) |
| (30) Penahan kabel | (61) Indikator sudut pada mistar sudut |
| (31) Lubang pemasangan pada rangka bawah | (62) Kaca pembesar |
| (32) Lubang untuk pemasangan | (63) Penunjuk jarak meja potong |
| (33) Tempat penyimpanan alat/pengunci kickback | (64) Baut berkepala silang untuk mengatur batas henti 0° |
| (34) Adaptor pengisap | (65) Baut untuk indikator sudut (vertikal) |
| (35) Kunci ring (10 mm; 13 mm) | (66) Baut berkepala silang untuk mengatur batas henti 45° |
| (36) Kunci hook/kunci pas (10 mm) | (67) Sekrup berkepala heksagonal (5 mm) depan untuk mengatur kesejajaran mata gergaji |
| (37) Set pengencangan "Rangka bawah" | (68) Sekrup berkepala heksagonal (5 mm) belakang untuk mengatur kesejajaran mata gergaji |
| (38) Set pengencangan "Pelindung antimirring" | (69) Baut untuk penunjuk jarak meja potong |
| (39) Set pengencangan "Perkakas listrik" | (70) Sekrup berkepala heksagonal (5 mm) untuk mengatur kesejajaran mistar sejajar |
| (40) Baut pisau riving | (71) Baut untuk penunjuk jarak mistar sejajar |
| (41) Lekukan pada sisipan meja | |
| (42) Knop tekan pengunci kickback | |
| (43) Knop penjepit mistar sejajar | |
| (44) Pemandu V pada mistar sejajar | |
| (45) Lekukan pemandu V pada meja potong untuk mistar sejajar | |

Data teknis

Mesin gergaji meja		GTS 254	GTS 254
Nomor model		3 601 M45 080 3 601 M45 0L0 3 601 M45 0K0 3 601 M45 0F0	3 601 M45 0C0
Input daya nominal	W	1800	1800
Kecepatan idle	min ⁻¹	4300	3800
Pembatasan arus listrik saat start		●	●
Berat sesuai dengan EPTA-Procedure 01:2014	kg	24,4	24,4
Tingkat perlindungan		□ / II	□ / II
Dimensi (termasuk komponen perangkat yang dapat dilepas)			
Lebar x panjang x tinggi	mm	690 x 620 x 1000	690 x 620 x 1000

Mesin gergaji meja		GTS 254	GTS 254
Ukuran mata gergaji yang sesuai			
Diameter mata gergaji	mm	254	254
Ketebalan bilah baja	mm	< 1,8	< 1,8
Ketebalan/pengaturan gigi min.	mm	> 2,4	> 2,4
Diameter lubang	mm	25,4	25,4

Ukuran benda kerja maksimal: (lihat „Ukuran benda kerja maksimal“, Halaman 95)

Data-data berlaku untuk tegangan nominal [U] 230 V. Pada tegangan yang lebih rendah dan pada model khusus mancanegara data-data ini bisa berlainan.

Pemasangan

- ▶ **Hindari perkakas listrik hidup secara tidak sengaja. Selama melakukan pemasangan dan pekerjaan lainnya pada perkakas listrik, steker tidak boleh dialiri listrik.**

Lingkup pengiriman

Sebelum menggunakan perkakas listrik untuk pertama kalinya, periksalah apakah semua komponen di bawah ini disertakan:

- Mesin gergaji meja dengan mata gergaji yang terpasang **(28)**
- Set pengencangan "Perkakas listrik" **(39)** (8 sekrup pengencang, 8 cincin)
- Rangka bawah **(14)**
- Set pengencangan "Rangka bawah" **(37)** (16 sekrup pengencang, 16 cincin, 16 cincin pengunci, 16 mur)
- Pelindung antimiring **(13)**
- Set pengencangan "Pelindung antimiring" **(38)** (4 sekrup pengencang, 8 cincin, 4 cincin pengunci, 4 mur)
- Mistar sudut **(3)**
- Rel profil **(50)**
- Mur kupu-kupu "Rel profil" **(51)**
- Mistar sejajar **(9)**
- Mistar sejajar tambahan **(47)**
- Set pengencangan "Mistar sejajar tambahan" **(48)** (2 sekrup pengencang, 2 mur kupu-kupu)
- Pisau riving **(27)** dengan tutup pelindung yang terpasang **(6)**
- Pengunci kickback **(7)**
- Kunci ring **(35)**
- Kunci hook/kunci pas **(36)**
- Tuas pendorong **(15)**
- Sisipan meja **(8)**

Catatan: Periksa perkakas listrik dari kemungkinan kerusakan.

Sebelum melanjutkan menggunakan perkakas listrik, periksa dengan saksama semua komponen pelindung atau komponen yang sedikit rusak apakah komponen tersebut berfungsi dengan baik. Periksa apakah komponen yang bergerak berfungsi dengan baik dan tidak terjepit atau apakah ada komponen yang rusak. Semua bagian-bagian harus terpasang dengan benar dan memenuhi semua

persyaratan guna menjamin penggunaan perkakas listrik yang sempurna.

Komponen perlindungan dan bagian-bagian yang rusak harus diperbaiki atau diganti di bengkel yang disetujui.

Pemasangan stasioner atau fleksibel

- ▶ **Untuk menjamin keamanan kerja, perkakas listrik harus dipasang terlebih dulu di tempat kerja yang datar dan stabil (misalnya meja kerja) sebelum digunakan.**

Pemasangan dengan rangka bawah dan pelindung antimiring (lihat gambar a1 – a3)

Gunakan set pengencangan "Rangka bawah" **(37)**, "Pelindung antimiring" **(38)** dan "Perkakas listrik" **(39)** untuk melakukan pemasangan

- Kencangkan rangka bawah **(14)**. Kencangkan sekrup.
- Pasang pelindung antimiring **(13)** pada rangka bawah.
- Letakkan perkakas listrik di atas rangka bawah sehingga pelindung antimiring mengarah ke belakang.
- Kencangkan perkakas listrik pada rangka bawah. Untuk itu, gunakan lubang samping **(31)** pada perkakas listrik serta lubang pada rangka bawah.

Pemasangan tanpa rangka bawah (lihat gambar b)

- Kencangkan perkakas listrik di atas area kerja dengan sambungan sekrup yang sesuai. Untuk itu, gunakan lubang **(32)**.

Memasang komponen-komponen

- Keluarkan semua komponen yang disediakan di kemasan dengan hati-hati.
- Singkirkan semua bahan kemasan dari perkakas listrik dan dari aksesoris yang disediakan.
- Perhatikanlah supaya bahan kemasan di bawah motor penggerak sudah disingkirkan.

Komponen perangkat yang terpasang langsung pada housing: Pengunci kickback **(7)**, kunci ring **(35)**, kunci hook/kunci pas **(36)**, mistar sudut **(3)**, mistar sejajar **(9)**, mistar sejajar tambahan **(47)** dengan set pengencangan **(48)**, tutup pelindung **(6)**, tuas pendorong **(15)**, mata gergaji **(28)**.

- Jika memerlukan salah satu komponen perangkat ini, keluarkan komponen tersebut dari tempat penyimpanannya dengan hati-hati.

Memasang pisau riving (lihat gambar c)

Catatan: Jika perlu, bersihkan semua komponen yang akan dipasang sebelum mengatur posisi pemasangan.

- Jika perlu, lepaskan sisipan meja (8).
- Putar engkol (17) searah jarum jam hingga maksimal sehingga mata gergaji (28) berada pada posisi setinggi mungkin di atas meja potong.
- Kendurkan baut (40) dengan kunci ring (35).
- Pasang pisau riving (27) dan dorong ke bawah hingga maksimal.
- Kencangkan kembali baut (40) dengan kunci ring (35).
- Pasang sisipan meja (8).

Memasang sisipan meja (lihat gambar d)

- Kaitkan sisipan meja (8) ke dalam lekukan bagian belakang (41) pada poros alat.
- Arahkan sisipan meja ke bawah.
- Tekan pada sisipan meja hingga sisipan meja mengunci di dalam poros alat.

Memasang pengunci kickback (lihat gambar e)

Jika terjadi kickback atau sentakan, pengunci kickback (7) mencegah benda kerja terpental ke arah pengguna. Gigi tajam dari pelatuk mencengkeram permukaan benda kerja dan menahannya.

- Tekan kenop tekan (42) pada pengunci kickback (7) secara bersamaan. Dengan begitu, pin pemandu akan tertarik kembali.
- Arahkan pengunci kickback (7) di atas pisau riving (27) dan lepaskan kenop tekan (42).
- Dorong pengunci kickback ke arah tutup pelindung hingga pin pemandu terkunci di dalam lubang belakang bagian atas pada pisau riving.
- Periksa apakah pin pemandu telah tersambung ke lubang dengan kuat dan pengunci kickback berfungsi dengan baik. Angkat pelatuk pada pengunci kickback dengan hati-hati. Saat dilepaskan, pelatuk pegas harus turun ke bawah dan menyentuh sisipan meja.

Memasang mistar sejajar (lihat gambar f)

Mistar sejajar (9) dapat diatur posisinya di sisi kiri atau kanan dari mata gergaji.

- Kendurkan kenop pengencang (43) mistar sejajar (9). Hal ini akan membebaskan beban pada pemandu V (44).
- Pertama-tama, pasang mistar sejajar dengan pemandu V ke dalam alur pemandu (45) meja potong. Kemudian atur posisi mistar sejajar di dalam alur pemandu depan (46) meja potong. Kini mistar sejajar dapat digeser ke arah mana saja.
- Untuk mengencangkan mistar sejajar, tekan kenop pengencang (43) ke bawah.

Memasang mistar sejajar tambahan (lihat gambar g)

Untuk menggergaji benda kerja yang lebih kecil dan menggergaji sudut mitre vertikal, mistar sejajar tambahan (47) harus dipasang pada mistar sejajar (9).

Mistar sejajar tambahan dapat dipasang pada sisi kiri atau kanan pada mistar sejajar (9) sesuai kebutuhan.

Gunakan set pengencangan "Mistar sejajar tambahan" (48) (2 sekrup pengencang, 2 mur kupu-kupu) untuk melakukan pemasangan.

- Dorong sekrup pemasangan melalui lubang samping pada mistar sejajar (9).
- Kepala baut berfungsi sebagai pemandu mistar sejajar tambahan.
- Dorong mistar sejajar tambahan (47) di atas kepala sekrup pemasangan.
- Kencangkan sekrup menggunakan mur kupu-kupu.

Memasang mistar sudut (lihat gambar h1 - h2)

Arahkan rel (49) dari mistar sudut (3) ke salah satu alur pemandu (5) yang tersedia pada meja potong.

Untuk memudahkan peletakan benda kerja yang panjang, mistar sudut dapat diperlebar melalui rel profil (50).

- Jika perlu, pasang rel profil pada mistar sudut menggunakan mur kupu-kupu (51).

Pengisap debu/serbuk gergaji

Debu dari bahan-bahan seperti cat yang mengandung timbal, beberapa jenis kayu, bahan mineral dan logam dapat berbahaya bagi kesehatan. Menyentuh atau menghirup debu tersebut dapat mengakibatkan reaksi alergi dan/atau penyakit saluran pernapasan bagi pengguna atau orang yang berada di dekatnya.

Beberapa debu tertentu seperti misalnya debu kayu pohon ek atau pohon fagus silvatica dianggap dapat mengakibatkan penyakit kanker, terutama dalam campuran dengan bahan-bahan tambahan untuk pengolahan kayu (kromat, obat pengawet kayu). Bahan-bahan yang mengandung asbes hanya boleh dikerjakan oleh orang-orang yang ahli.

- Gunakanlah hanya pengisap debu yang cocok untuk mengisap bahan yang dikerjakan.
- Pastikan terdapat ventilasi udara yang baik di tempat kerja.
- Dianjurkan untuk memakai masker anti debu dengan filter kelas P2.

Taatilah peraturan-peraturan untuk bahan-bahan yang dikerjakan yang berlaku di negara Anda.

Pengisap debu/serbuk dapat tersumbat oleh debu, serbuk atau serpihan dari benda yang dikerjakan.

- Matikan perkakas listrik dan lepas steker dari stopkontak.
- Tunggu hingga mata gergaji benar-benar berhenti.
- Periksa penyebab tersumbatnya perkakas dan segera perbaiki.

► Hindari debu yang banyak terkumpul di tempat kerja.

Debu dapat tersulut dengan mudah.

► Untuk mencegah risiko kebakaran saat menggergaji aluminium, kosongkan ejektor serbuk gergaji dan jangan menggunakan pengisap serbuk gergaji.**Mengosongkan ejektor serbuk gergaji (lihat gambar i)**

Penutup mata gergaji bawah (52) dapat dibuka untuk membersihkan serpihan benda kerja dan serbuk gergaji berukuran besar.

- Matikan perkakas listrik dan lepas steker dari stopkontak.

- Tunggu hingga mata gergaji benar-benar berhenti.
- Miringkan perkakas listrik ke samping.
- Kendurkan sekrup pengencang (53) dan buka penutup mata gergaji bawah (52).
- Keluarkan serpihan benda kerja dan serbuk gergaji.
- Tutup penutup mata gergaji bawah dan pasang kembali.
- Atur perkakas listrik pada posisi pengoperasian.

Pengisap debu eksternal (lihat gambar j)

- Pasang slang pengisap debu yang sesuai dengan kencang ke dalam adaptor pengisap (34).

Mesin pengisap debu harus sesuai dengan bahan yang dikerjakan.

Gunakan mesin pengisap khusus saat mengisap debu yang sangat berbahaya bagi kesehatan, pemicu kanker atau debu kering.

Mengganti mata gergaji (lihat gambar k1-k4)

- ▶ **Sebelum mulai dengan pekerjaan pada perkakas listrik, tariklah steker dari stopkontak.**
- ▶ **Pakailah sarung tangan pelindung pada waktu memasang mata gergaji.** Terdapat risiko cedera.
- ▶ **Hanya selalu gunakan mata gergaji dengan kecepatan putaran maksimal yang diizinkan yang lebih tinggi daripada kecepatan putaran tanpa beban dari perkakas listrik.**
- ▶ **Gunakanlah hanya mata gergaji yang sesuai dengan data yang tercantum di panduan pengoperasian dan pada perkakas listrik serta telah diuji menurut peraturan EN 847-1, dan sesuai dengan yang digambarkan.**
- ▶ **Gunakanlah hanya mata gergaji yang dianjurkan oleh produsen perkakas listrik ini dan yang sesuai dengan bahan yang dikerjakan.**
- ▶ **Jangan menggunakan mata gergaji berbahan baja HSS (High-speed Steel).** Mata gergaji dari bahan ini mudah patah.

Melepaskan mata gergaji

- Putar engkol (17) searah jarum jam hingga maksimal sehingga mata gergaji (28) berada pada posisi setinggi mungkin di atas meja potong.
- Lipat tutup pelindung (6) ke belakang.
- Angkat sisipan meja (8) pada lubang gagang (54) dan lepaskan dari poros alat.
- Lepaskan baut heksagonal (56) berlawanan arah jarum jam dengan kunci ring (35) dengan menahan pada flensa penjepit (55) menggunakan kunci hook (36).
- Lepaskan cincin (57) dan flensa penjepit (55).
- Lepas mata gergaji (28).

Memasang mata gergaji

Jika perlu, bersihkan semua komponen yang akan dipasang sebelum melakukan pemasangan.

- Pasang mata gergaji yang baru pada flensa dudukan (58) spindel perkakas.

Catatan: Jangan menggunakan mata gergaji yang terlalu kecil. Celah radial antara mata gergaji dengan pemegang pelindung atas (riving knife) tidak boleh lebih dari 3 – 8 mm.

▶ Pada saat memasang mata gergaji, pastikan arah pemotongan gigi (arah panah pada mata gergaji) sesuai dengan arah panah pada tutup pelindung!

- Pasang flensa penjepit (55), cincin (57) dan baut heksagonal (56).
- Kencangkan baut heksagonal (56) searah jarum jam menggunakan kunci ring (35) dengan menahan flensa penjepit menggunakan kunci hook (36).
- Pasang kembali sisipan meja (8).
- Lipat tutup pelindung (6) ke depan.

Pengoperasian

- ▶ **Sebelum mulai dengan pekerjaan pada perkakas listrik, tariklah steker dari stopkontak.**

Posisi pengangkutan dan posisi pengoperasian mata gergaji

Posisi pengangkutan

- Lepaskan tutup pelindung (6), lepaskan sisipan meja (8) dan atur posisi pemegang pelindung atas (riving knife) (27) pada posisi paling bawah. Pasang kembali sisipan meja (8).
- Putar engkol (17) berlawanan arah jarum jam hingga gigi mata gergaji (28) berada di bawah meja potong (4).
- Dorong pelebaran meja potong (10) ke dalam sepenuhnya. Tekan kenop pengencang (20) ke bawah. Dengan demikian, pelebaran meja potong terkunci.

Posisi pengoperasian

- Atur posisi pemegang pelindung atas (riving knife) (27) di posisi teratas pada bagian tengah mata gergaji, pasang sisipan meja (8) lalu pasang tutup pelindung (6).
- Putar engkol (17) searah jarum jam hingga gigi atas mata gergaji (28) berada sekitar 3 – 6 mm di atas benda kerja.

Mengatur sudut potong vertikal dan horizontal

Untuk menjamin pemotongan yang tepat, penyetelan dasar perkakas listrik harus diperiksa setelah perkakas listrik digunakan secara intensif dan jika perlu lakukan pengaturan.

Mengatur sudut potong vertikal (mata gergaji) (lihat gambar A)

Sudut potong vertikal dapat diatur dalam rentang sekitar 0° hingga 45°.

- Kendurkan tuas pengencang (16) berlawanan arah jarum jam.

Catatan: Jika tuas pengunci telah benar-benar dikendurkan, mata gergaji akan miring ke satu posisi sekitar 30° akibat gravitasi.

- Tarik atau tekan alat pemutar tangan (18) di sepanjang pemisah hingga indikator sudut (59) menampilkan sudut potong vertikal yang diinginkan.

- Tahan alat pemutar tangan pada posisi ini dan kencangkan kembali tuas pengunci (16).

Untuk mengatur sudut standar vertikal 0° dan 45° secara cepat dan tepat, terdapat pembatas ((24), (22)) yang telah diatur dari pabrik.

Mengatur sudut potong horizontal (mistar sudut) (lihat gambar B)

Sudut potong horizontal dapat diatur dalam rentang 30° (sisi kiri) hingga 30° (sisi kanan).

- Kendurkan kenop pengunci (60) jika kenop dikencangkan.
- Putar mistar sudut hingga indikator sudut (61) menunjukkan sudut potong yang diinginkan.
- Kencangkan kembali kenop pengunci (60).

Memperbesar meja potong

Benda kerja yang panjang dan berat harus dialasi atau ditopang pada ujungnya.

Pelebaran meja potong (lihat gambar C)

Pelebaran meja potong (10) akan memperluas area meja potong (4) ke kanan hingga sebesar 950 mm.

- Tarik kenop pengencang (20) untuk memperlebar meja potong ke atas sepenuhnya.
- Tarik pelebaran meja potong (10) ke luar hingga mencapai panjang yang diinginkan.
- Tekan kenop pengencang (20) ke bawah. Dengan demikian, pelebaran meja potong terkunci.

Mengatur mistar sejajar

Mistar sejajar (9) dapat diatur posisinya di sisi kiri atau kanan dari mata gergaji. Penanda pada kaca pembesar (62) menampilkan jarak mistar sejajar yang diatur ke mata gergaji pada skala (1).

Atur posisi mistar sejajar ke sisi mata gergaji yang diinginkan (lihat „Memasang mistar sejajar (lihat gambar f)“, Halaman 92).

Mengatur mistar sejajar saat meja potong tidak ditarik ke luar

- Kendurkan kenop penjepit (43) mistar sejajar (9). Geser mistar sejajar hingga penanda pada kaca pembesar (62) menunjukkan jarak yang diinginkan ke mata gergaji. Penanda pada skala (1) berlaku saat meja potong tidak ditarik ke luar.
- Untuk mengencangkan, tekan kembali kenop penjepit (43) ke bawah.

Mengatur mistar sejajar saat meja potong ditarik ke luar (lihat gambar D)

- Atur posisi mistar sejajar di sisi kanan dari mata gergaji. Geser mistar sejajar hingga penanda pada kaca pembesar (62) menunjukkan skala (1) 28 cm. Untuk mengencangkan, tekan kembali kenop penjepit (43) ke bawah.
- Tarik kenop penjepit (20) untuk memperlebar meja potong ke atas sepenuhnya.

- Tarik ekstensi meja potong (10) ke luar hingga penunjuk jarak (63) menunjukkan jarak yang diinginkan ke mata gergaji pada skala (2).
- Tekan kenop penjepit (20) ke bawah. Dengan demikian, ekstensi meja potong telah terkunci.

Mengatur mistar sejajar tambahan (lihat gambar E)

Untuk menggergaji benda kerja yang lebih kecil dan menggergaji sudut mitre vertikal, mistar sejajar tambahan (47) harus dipasang pada mistar sejajar (9).

Mistar sejajar tambahan dapat dipasang pada sisi kiri atau kanan pada mistar sejajar (9) sesuai kebutuhan.

Selama penggergajian, benda kerja dapat terjepit di antara mistar sejajar dan mata gergaji, terperangkap oleh mata gergaji yang bergerak naik dan terpendal.

Oleh karena itu, atur mistar sejajar tambahan sedemikian rupa hingga ujung pemandunya berada di antara gigi mata gergaji paling depan dan tepi depan dari pisau riving.

- Untuk itu, kendurkan semua mur kupu-kupu dari set pengencangan (48) dan geser mistar sejajar tambahan yang sesuai.
- Kencangkan kembali mur kupu-kupu.

Pengoperasian pertama kali

- **Perhatikan tegangan jaringan listrik!** Tegangan jaringan listrik harus sesuai dengan tegangan listrik yang tercantum pada label tipe perkakas listrik.

Menghidupkan (lihat gambar F1)

- Buka tutup pengaman (19) ke atas.
- Pada pengoperasian pertama kali, tekan tombol on berwarna hijau (25).
- Tutup kembali tutup pengaman (19).

Mematikan (lihat gambar F2)

- Tekan tutup pengaman (19).

Perlindungan terhadap beban berlebih

Perkakas listrik dilengkapi dengan pelindung beban berlebih. Jika perkakas listrik digunakan sebagaimana mestinya, perkakas listrik tidak akan mengalami kelebihan beban. Listrik perkakas listrik akan mati jika beban perkakas listrik terlalu tinggi.

Lakukan langkah-langkah berikut untuk mengoperasikan kembali perkakas listrik:

- Biarkan perkakas listrik mendingin setidaknya selama 10 menit.
- Tekan tombol start ulang (26) kemudian hidupkan kembali perkakas listrik.

Kegagalan daya

Tombol on/off adalah switch tegangan nol yang mencegah perkakas listrik menyala kembali setelah kegagalan daya (misalnya steker dicabut dari stopkontak saat pengoperasian).

Untuk mengoperasikan kembali perkakas listrik, tekan kembali tombol on berwarna hijau (25).

Petunjuk pengoperasian

Petunjuk umum untuk menggergaji

- ▶ Pada semua pekerjaan pemotongan, pastikan mata gergaji tidak akan bersentuhan dengan sandaran-sandaran atau bagian-bagian yang lain dari perkakas listrik.
- ▶ Hanya gunakan perkakas listrik dengan perangkat pelindung yang tepat dan sesuai (misalnya tutup pelindung yang berbentuk terowongan, ring penekan) untuk membuat lubang atau lekukan.
- ▶ Jangan menggunakan perkakas listrik untuk menebas (alur yang berakhir pada benda kerja).

Lindungilah mata gergaji terhadap benturan dan tumbukan. Jangan menekan mata gergaji dari samping.

Pemegang pelindung atas (riving knife) harus berada pada satu garis lurus dengan mata gergaji supaya benda kerja tidak tersangkut.

Jangan melakukan pengerjaan pada benda yang bengkok. Benda kerja harus selalu mempunyai pinggiran yang lurus untuk diletakkan pada mistar sejajar.

Selalu simpan tongkat pendorong pada perkakas listrik.

Posisi pengguna perkakas listrik (lihat gambar G)

- ▶ Jangan pernah berdiri searah dengan bilah gergaji. Selalu posisikan tubuh Anda di sisi yang sama dengan penahan pada sisi bilah gergaji. Sentakan dapat melontarkan benda kerja dengan kecepatan tinggi ke arah siapa pun yang berdiri di depan atau searah dengan bilah gergaji.
- Jauhkan tangan, jari dan lengan dari mata gergaji yang berputar.

Perhatikanlah petunjuk-petunjuk berikut:

- Pegang benda kerja dengan aman dengan kedua tangan dan tekan dengan kuat ke meja potong.
- Untuk benda kerja yang berukuran kecil dan untuk menggergaji sudut potong vertikal, selalu gunakan tuas pendorong (15) yang disediakan dan mistar sejajar tambahan (47).

Ukuran benda kerja maksimal

sudut potong vertikal	ketinggian maks. benda kerja [mm]
0°	80
45°	55

Menggergaji

Menggergaji lurus

- Atur mistar sejajar (9) pada lebar pemotongan yang diinginkan.
- Letakkan benda kerja di atas meja potong di depan tutup pelindung (6).
- Gunakan engkol (17) untuk mengangkat atau menurunkan mata gergaji setinggi atau serendah mungkin hingga gigi bagian atas mata gergaji (28) berada pada posisi sekitar 3 – 6 mm di atas benda kerja.

- Hidupkan perkakas listrik.
- Gergaji benda kerja dengan dorongan yang merata. Jika terlalu banyak tekanan yang diberikan, ujung mata gergaji dapat menjadi terlalu panas dan merusak benda kerja.
- Matikan perkakas listrik dan tunggu hingga mata gergaji benar-benar berhenti.

Menggergaji sudut potong vertikal

- Atur sudut potong vertikal mata gergaji yang diinginkan. Jika mata gergaji dimiringkan ke kiri, mistar sejajar (9) harus berada di sisi kanan mata gergaji.
- Ikuti langkah kerja sesuai: (lihat „Menggergaji lurus“, Halaman 95)

Menggergaji sudut mitre horizontal (lihat gambar H)

- Atur sudut mitre horizontal yang diinginkan pada mistar sudut (3).
- Letakkan benda kerja pada rel profil (50). Posisi profil tidak boleh berada pada garis pemotongan. Pada situasi tersebut, kendurkan mur kupu-kupu (51) dan geser rel profil.
- Gunakan engkol (17) untuk mengangkat atau menurunkan mata gergaji setinggi atau serendah mungkin hingga gigi bagian atas mata gergaji (28) berada pada posisi sekitar 3 – 6 mm di atas benda kerja.
- Hidupkan perkakas listrik.
- Tahan benda kerja pada rel profil (50) dengan satu tangan sementara tangan satunya berada pada knop pengunci (60) lalu dorong mistar sudut secara perlahan ke depan di dalam alur pemandu (3).
- Matikan perkakas listrik dan tunggu hingga mata gergaji benar-benar berhenti.

Memeriksa dan mengatur pengaturan dasar

Untuk menjamin pemotongan yang tepat, penyetelan dasar perkakas listrik harus diperiksa setelah perkakas listrik digunakan secara intensif dan jika perlu lakukan pengaturan. Untuk melakukannya, diperlukan pengalaman dan perkakas khusus yang sesuai.

Pusat layanan pelanggan Bosch akan melakukan pekerjaan ini dengan cepat dan baik.

Mengatur pembatas untuk sudut potong vertikal standar 0°/45°

- Atur perkakas listrik pada posisi pengoperasian.
- Atur sudut mitre vertikal mata gergaji pada sudut 0°.

Memeriksa (lihat gambar I1)

- Atur mistar pengukur sudut pada 90° dan letakkan di atas meja potong (4).

Kaki pengukur sudut harus sejajar dengan mata gergaji (28).

Mengatur (lihat gambar I2)

- Kendurkan sekrup (64). Dengan demikian, pembatas 0° (24) dapat digerakkan.
- Kendurkan tuas pengunci (16).
- Dorong alat putar tangan (18) ke pembatas 0° hingga kaki pengukur sudut sejajar dengan mata gergaji.

- Tahan alat putar tangan pada posisi ini dan kencangkan kembali tuas pengunci (16).
- Kencangkan kembali sekrup (64).

Setelah dilakukan pengaturan, jika indikator sudut (59) tidak berada dalam satu garis dengan tanda 0° pada skala (23), kendurkan sekrup (65) dengan obeng kembang dan arahkan indikator sudut ke sepanjang tanda 0°.

Ulangi langkah kerja di atas untuk sudut potong vertikal 45° (Mendurkan sekrup (66); Menggeser pembatas 45° (22)). Indikator sudut (59) tidak boleh disetel kembali.

Kesejajaran mata gergaji pada alur pemandu mistar sudut (lihat gambar J)

- Atur perkakas listrik pada posisi pengoperasian.

Memeriksa

- Gunakan pensil untuk menandai gigi gergaji kiri pertama yang terlihat di belakang di atas sisipan meja.
- Atur pengukur sudut sebesar 90° dan letakkan ke tepi alur pemandu (5).
- Geser kaki pengukur sudut hingga menyentuh gigi gergaji yang ditandai dan bacalah jarak antara mata gergaji ke alur pemandu.
- Putar mata gergaji hingga gigi yang ditandai berada di depan di atas sisipan meja.
- Geser mistar pengukur sudut sepanjang alur pemandu sampai gigi mata gergaji yang diberi tanda.
- Ukur kembali jarak antara mata gergaji dan alur pemandu.

Kedua jarak yang diukur harus sama.

Mengatur

- Kendurkan sekrup berkepala heksagonal (67) pada bagian depan meja potong dan sekrup berkepala heksagonal (68) pada bagian belakang meja potong dengan kunci L.
- Gerakkan mata gergaji dengan hati-hati hingga mata gergaji sejajar dengan alur pemandu (5).
- Kencangkan kembali semua sekrup (67) dan (68).

Mengatur penunjuk jarak meja potong (lihat gambar K)

- Atur posisi mistar sejajar di sisi kanan dari mata gergaji. Geser mistar sejajar hingga penanda pada kaca pembesar (62) menunjukkan skala bawah 28 cm. Untuk mengencangkan, tekan kembali kenop pengencang (43) ke bawah.
- Tarik kenop pengencang (20) ke atas sepenuhnya lalu tarik pelebaran meja potong (10) ke luar hingga maksimal.

Memeriksa

Penunjuk jarak (63) harus menampilkan nilai yang sama pada skala (2) seperti penanda pada kaca pembesar (62) pada skala (1).

Mengatur

- Tarik ke luar pelebaran meja potong (10) hingga maksimal.
- Kendurkan sekrup (69) menggunakan obeng kembang lalu arahkan penunjuk jarak (63) ke sepanjang 28 tanda cm skala atas (1).

Mengatur kesejajaran mistar sejajar (lihat gambar L)

- Atur perkakas listrik pada posisi pengoperasian.
- Lepaskan pengunci kickback (7) dan lipat tutup pelindung (6) ke belakang.
- Kendurkan knop penjepit (43) dari mistar sejajar dan geser hingga menyentuh mata gergaji.

Memeriksa

Mistar sejajar (9) harus menyentuh sepanjang mata gergaji.

Mengatur

- Kendurkan sekrup berkepala heksagonal (70) dengan kunci L.
- Gerakkan mistar sejajar (9) dengan hati-hati hingga menyentuh sepanjang mata gergaji.
- Tahan mistar sejajar pada posisi ini dan tekan kembali kenop penjepit (43) ke bawah.
- Kencangkan kembali sekrup berkepala heksagonal (70).

Mengatur kaca pembesar mistar sejajar (lihat gambar L)

- Atur perkakas listrik pada posisi pengoperasian.
- Lepaskan pengunci kickback (7) dan lipat tutup pelindung (6) ke belakang.
- Geser mistar sejajar (9) dari kanan hingga mistar menyentuh mata gergaji.

Memeriksa

Penanda kaca pembesar (62) harus berada segaris dengan tanda 0 mm pada skala (1).

Mengatur

- Kendurkan sekrup (71) dengan obeng kembang dan arahkan penanda ke sepanjang tanda 0 mm.

Penyimpanan dan pengangkutan

Menyimpan komponen perangkat (lihat gambar M - N)

Perkakas listrik memiliki tempat untuk menyimpan komponen perangkat tertentu dengan aman.

- Lepaskan mistar sejajar tambahan (47) dari mistar sejajar (9).
- Simpan semua komponen perangkat yang dilepas ke dalam tempat penyimpanan pada housing (lihat tabel berikut).

Gam bar	Komponen perangkat	Tempat penyimpanan
M	Kunci ring (35)	Masukkan ke dalam tempat penyimpanan alat (33)
M	Kunci hook/kunci pas (36)	Masukkan ke dalam tempat penyimpanan alat (33)
M	Pengunci kickback (7)	Masukkan ke dalam tempat penyimpanan alat (33)
M	Mistar sudut (3) dengan rel profil (50)	Masukkan ke dalam penahan pada tempat penyimpanan (29)
N	Mistar sejajar (9) dengan mistar sejajar tambahan	Letakkan ke dalam tempat penyimpanan alat (12)

Gam bar	Komponen perangkat	Tempat penyimpanan
	yang terpasang (47)	
N	Tuasendorong (15)	Masukkan ke dalam tempat penyimpanan alat (21)

Perawatan dan servis

Perawatan dan pembersihan

- ▶ **Sebelum mulai dengan pekerjaan pada perkakas listrik, tariklah steker dari stopkontak.**
- ▶ **Perkakas listrik dan lubang ventilasi harus selalu dibersihkan agar perkakas dapat digunakan dengan baik dan aman.**

Jika kabel listrik harus diganti, pekerjaan ini harus dilakukan oleh **Bosch** atau Service Center untuk perkakas listrik **Bosch** resmi agar keselamatan kerja selalu terjamin.

Pembersihan

Setelah setiap penggunaan, bersihkan perkakas listrik dari debu dan serbuk dengan cara ditip dengan udara bertekanan atau dengan kuas.

Melumasi perkakas listrik



Pelumas:

Oli mesin SAE 10/SAE 20

- Jika perlu, lumasi perkakas listrik pada bagian-bagian yang ditunjukkan.

Service Center Bosch resmi akan melakukan pengerjaan tersebut dengan cepat dan andal.

Buanglah zat pelumas dan pembersih berdasarkan aturan lingkungan yang berlaku. Taatilah peraturan yang berlaku.

Tindakan untuk mengurangi kebisingan

Tindakan oleh produsen:

- Awalan start yang perlahan
- Perkakas listrik dipasok dengan mata gergaji yang dirancang khusus untuk mengurangi kebisingan

Tindakan oleh pengguna perkakas:

- Pasang perkakas listrik pada bidang kerja yang stabil sehingga vibrasi berkurang
- Gunakan mata gergaji dengan fungsi mengurangi kebisingan
- Bersihkan mata gergaji dan perkakas listrik secara berkala

Aksesori

	Nomor seri
Mistar sudut	2 610 015 508
Tuasendorong	1 600 A02 2D7
Mata gergaji untuk kayu dan material tipis, panel dan lis	Nomor seri
Mata gergaji 254 x 25,4 mm, 40 gigi	2 608 640 901
Mata gergaji 254 x 25,4 mm, 60 gigi	2 608 640 902

Layanan pelanggan dan konsultasi penggunaan

Layanan pelanggan Bosch menjawab semua pertanyaan Anda tentang reparasi dan perawatan serta tentang suku cadang produk ini. Gambaran teknis (exploded view) dan informasi mengenai suku cadang dapat ditemukan di:

www.bosch-pt.com

Tim konsultasi penggunaan Bosch akan membantu Anda menjawab pertanyaan seputar produk kami beserta aksesori.

Jika Anda hendak menanyakan sesuatu atau memesan suku cadang, selalu sebutkan nomor model yang terdiri dari 10 angka dan tercantum pada label tipe produk.

Indonesia

PT Robert Bosch
Palma Tower 10th Floor
Jalan RA Kartini II-S Kaveling 6
Pondok Pinang, Kebayoran Lama
Jakarta Selatan 12310
Tel.: (021) 3005 5800
Fax: (021) 3005 5801
E-Mail: boschpowertools@id.bosch.com
www.bosch-pt.co.id

Alamat layanan lainnya dapat ditemukan di:

www.bosch-pt.com/serviceaddresses

Cara membuang

Perkakas listrik, aksesori, dan kemasan sebaiknya didaur ulang secara ramah lingkungan.



Jangan membuang perkakas listrik ke dalam tempat sampah rumah tangga!

Tiếng Việt

Hướng dẫn an toàn

Cảnh báo Tổng quát Cách sử dụng An toàn Dụng cụ điện cầm tay

⚠ CẢNH BÁO Hãy đọc toàn bộ các cảnh báo an toàn, hướng dẫn, hình ảnh và thông số kỹ thuật được cung cấp cho dụng cụ điện cầm tay này. Không tuân thủ mọi hướng dẫn được liệt kê dưới đây có thể bị điện giật, gây cháy và /hay bị thương tật nghiêm trọng. **Hãy giữ tất cả tài liệu về cảnh báo và hướng dẫn để tham khảo về sau.**

Thuật ngữ "dụng cụ điện cầm tay" trong phần cảnh báo là để cập đến sự sử dụng dụng cụ điện cầm tay của bạn, loại sử dụng điện nguồn (có dây cắm điện) hay vận hành bằng pin (không dây cắm điện).

Khu vực làm việc an toàn

- ▶ **Giữ nơi làm việc sạch và đủ ánh sáng.** Nơi làm việc bừa bộn và tối tăm dễ gây ra tai nạn.
- ▶ **Không vận hành dụng cụ điện cầm tay trong môi trường dễ gây nổ, chẳng hạn như nơi có chất lỏng dễ cháy, khí đốt hay rác.** Dụng cụ điện cầm tay tạo ra các tia lửa nên có thể làm rác bén cháy hay bốc khói.
- ▶ **Không để trẻ em hay người đến xem đứng gần khi vận hành dụng cụ điện cầm tay.** Sự phân tâm có thể gây ra sự mất điều khiển.

An toàn về điện

- ▶ **Phích cắm của dụng cụ điện cầm tay phải thích hợp với ổ cắm.** Không bao giờ được cải biến lại phích cắm dưới mọi hình thức. Không được sử dụng phích tiếp hợp nối tiếp đất (dây mát). Phích cắm nguyên bản và ổ cắm đúng loại sẽ làm giảm nguy cơ bị điện giật.
- ▶ **Tránh không để thân thể tiếp xúc với đất hay các vật có bề mặt tiếp đất như đường ống, lò sưởi, hàng rào và tủ lạnh.** Có nhiều nguy cơ bị điện giật hơn nếu cơ thể bạn bị tiếp hay nối đất.
- ▶ **Không được để dụng cụ điện cầm tay ngoài mưa hay ở tình trạng ẩm ướt.** Nước vào máy sẽ làm tăng nguy cơ bị điện giật.
- ▶ **Không được làm dụng dây dẫn điện.** Không bao giờ được nắm dây dẫn để xách, kéo hay rút phích cắm dụng cụ điện cầm tay. Không để dây gần nơi có nhiệt độ cao, dầu nhớt, vật nhọn bén và bộ phận chuyển động. Làm hỏng hay cuộn rối dây dẫn làm tăng nguy cơ bị điện giật.
- ▶ **Khi sử dụng dụng cụ điện cầm tay ngoài trời, dùng dây nối thích hợp cho việc sử dụng ngoài trời.** Sử dụng dây nối thích hợp cho việc sử dụng ngoài trời làm giảm nguy cơ bị điện giật.
- ▶ **Nếu việc sử dụng dụng cụ điện cầm tay ở nơi ẩm ướt là không thể tránh được, dùng thiết bị ngắt mạch tự động (RCD) bảo vệ nguồn.** Sử dụng thiết bị ngắt mạch tự động RCD làm giảm nguy cơ bị điện giật.

An toàn cá nhân

- ▶ **Hãy tỉnh táo, biết rõ mình đang làm gì và hãy sử dụng ý thức khi vận hành dụng cụ điện cầm tay.** Không sử dụng dụng cụ điện cầm tay khi đang mệt mỏi hay đang bị tác động do chất gây nghiện, rượu hay dược phẩm gây ra. Một thoáng mất tập trung khi đang vận hành dụng cụ điện cầm tay có thể gây thương tích nghiêm trọng cho bản thân.
- ▶ **Sử dụng trang bị bảo hộ cá nhân.** Luôn luôn đeo kính bảo vệ mắt. Trang bị bảo hộ như khẩu trang, giày chống trượt, nón bảo hộ, hay dụng cụ bảo vệ tai khi được sử dụng đúng nơi đúng chỗ sẽ làm giảm nguy cơ thương tật cho bản thân.

- ▶ **Phòng tránh máy khởi động bất ngờ.** Bảo đảm công tắc máy ở vị trí tắt trước khi cắm vào nguồn điện và/hay lắp pin vào, khi nhắc máy lên hay khi mang xách máy. Ngáng ngón tay vào công tắc máy để xách hay kích hoạt dụng cụ điện cầm tay khi công tắc ở vị trí mở dễ dẫn đến tai nạn.
- ▶ **Lấy mọi chìa hay khóa điều chỉnh ra trước khi mở điện dụng cụ điện cầm tay.** Khóa hay chìa còn gắn dính vào bộ phận quay của dụng cụ điện cầm tay có thể gây thương tích cho bản thân.
- ▶ **Không rướn người.** Luôn luôn giữ tư thế đứng thích hợp và thăng bằng. Điều này tạo cho việc điều khiển dụng cụ điện cầm tay tốt hơn trong mọi tình huống bất ngờ.
- ▶ **Trang phục thích hợp.** Không mặc quần áo rộng lủng thùng hay mang trang sức. Giữ tóc và quần áo xa khỏi các bộ phận chuyển động. Quần áo rộng lủng thùng, đồ trang sức hay tóc dài có thể bị cuốn vào các bộ phận chuyển động.
- ▶ **Nếu có các thiết bị đi kèm để nối máy hút bụi và các phụ kiện khác, bảo đảm các thiết bị này được nối và sử dụng tốt.** Việc sử dụng các thiết bị gom hút bụi có thể làm giảm các độc hại liên quan đến bụi gây ra.
- ▶ **Không để thói quen do sử dụng thường xuyên dụng cụ khiến bạn trở nên chủ quan và bỏ qua các quy định an toàn dụng cụ.** Một hành vi bất cẩn có thể gây ra thương tích nghiêm trọng chỉ trong tích tắc.

Sử dụng và bảo dưỡng dụng cụ điện cầm tay

- ▶ **Không được ép máy.** Sử dụng dụng cụ điện cầm tay đúng loại theo đúng ứng dụng của bạn. Dụng cụ điện cầm tay đúng chức năng sẽ làm việc tốt và an toàn hơn theo đúng tiến độ mà máy được thiết kế.
- ▶ **Không sử dụng dụng cụ điện cầm tay nếu như công tắc không tắt và mở được.** Bất kỳ dụng cụ điện cầm tay nào mà không thể điều khiển được bằng công tắc là nguy hiểm và phải được sửa chữa.
- ▶ **Rút phích cắm ra khỏi nguồn điện và/hay pin ra khỏi dụng cụ điện cầm tay nếu có thể tháo được, trước khi tiến hành bất kỳ điều chỉnh nào, thay phụ kiện, hay cất dụng cụ điện cầm tay.** Các biện pháp ngăn ngừa như vậy làm giảm nguy cơ dụng cụ điện cầm tay khởi động bất ngờ.
- ▶ **Cất giữ dụng cụ điện cầm tay không dùng tới nơi trẻ em không lấy được và không cho người chưa từng biết dụng cụ điện cầm tay hay các hướng dẫn này sử dụng dụng cụ điện cầm tay.** Dụng cụ điện cầm tay nguy hiểm khi ở trong tay người chưa được chỉ cách sử dụng.

- ▶ **Bảo quản dụng cụ điện cầm tay và các phụ kiện.** Kiểm tra xem các bộ phận chuyển động có bị sai lệch hay kẹt, các bộ phận bị rạn nứt và các tình trạng khác có thể ảnh hưởng đến sự vận hành của máy. Nếu bị hư hỏng, phải sửa chữa máy trước khi sử dụng. Nhiều tai nạn xảy ra do bảo quản dụng cụ điện cầm tay tồi.
- ▶ **Giữ các dụng cụ cất bện và sạch.** Bảo quản đúng cách các dụng cụ cất có cạnh cất bện làm giảm khả năng bị kẹt và dễ điều khiển hơn.
- ▶ **Sử dụng dụng cụ điện cầm tay, phụ kiện, đầu cài v. v., đúng theo các chỉ dẫn này, hãy lưu ý đến điều kiện làm việc và công việc phải thực hiện.** Sự sử dụng dụng cụ điện cầm tay khác với mục đích thiết kế có thể tạo nên tình huống nguy hiểm.
- ▶ **Giữ tay cầm và bề mặt nắm luôn khô ráo, sạch sẽ và không dính dầu mỡ.** Tay cầm và bề mặt nắm trơn trượt không đem lại thao tác an toàn và kiểm soát dụng cụ trong các tình huống bất ngờ.

Bảo dưỡng

- ▶ **Đưa dụng cụ điện cầm tay của bạn đến thợ chuyên môn để bảo dưỡng, chỉ sử dụng phụ tùng đúng chủng loại để thay.** Điều này sẽ đảm bảo sự an toàn của máy được giữ nguyên.

Hướng dẫn an toàn cho máy cửa bàn

Các cảnh báo liên quan đến tấm chắn bảo vệ

- ▶ **Giữ tấm chắn bảo vệ tại chỗ.** Tấm chắn bảo vệ phải hoạt động tốt và được lắp đúng cách. Phải sửa chữa hoặc thay thế tấm chắn bảo vệ bị lỏng, bị hư hỏng, hoặc không hoạt động đúng cách.
- ▶ **Luôn sử dụng tấm chắn bảo vệ lưỡi cửa, chêm mở mạch cửa và thiết bị chống đẩy ngược cho mọi thao tác cắt đứt.** Đối với các thao tác cắt đứt khi lưỡi cửa cắt hoàn toàn qua chiều dày của phiôi gia công, tấm chắn bảo vệ và các thiết bị an toàn khác sẽ giúp giảm nguy cơ gây tổn thương.
- ▶ **Gắn lại ngay hệ thống chắn bảo vệ sau khi hoàn thành một hoạt động (như cắt xoi rãnh) mà yêu cầu phải tháo gỡ tấm chắn bảo vệ, chêm mở mạch cửa và/hoặc thiết bị chống đẩy ngược.** Tấm chắn bảo vệ, chêm mở mạch cửa và thiết bị chống đẩy ngược giúp giảm nguy cơ gây tổn thương.
- ▶ **Đảm bảo lưỡi cửa không tiếp xúc với tấm chắn bảo vệ, chêm mở mạch cửa hoặc phiôi gia công trước khi bắt công tác.** Sự tiếp xúc vô tình của các bộ phận này với lưỡi cửa có thể gây ra tình trạng nguy hiểm.
- ▶ **Điều chỉnh chêm mở mạch cửa như được mô tả trong tài liệu hướng dẫn này.** Việc đặt, định vị và căn chỉnh sai có thể làm cho chêm mở

mạch cửa mất tác dụng làm giảm khả năng sinh ra lực phản hồi.

- ▶ **Đề cho chêm mở mạch cửa và thiết bị chống đẩy ngược có tác dụng, cần phải gài nó vào phiôi gia công.** Chêm mở mạch cửa và thiết bị chống đẩy ngược không hiệu quả khi cắt các phiôi gia công có kích cỡ quá ngắn để gắn với chêm mở mạch cửa và thiết bị chống đẩy ngược. Trong trường hợp này, không thể ngăn chặn được lực phản hồi bằng chêm mở mạch cửa và thiết bị chống đẩy ngược.
- ▶ **Hãy sử dụng lưới cửa phù hợp để làm chêm mở mạch cửa.** Để chêm mở mạch cửa hoạt động đúng, đường kính lưới cửa phải vừa khớp với chêm mở mạch cửa và thân lưới cửa phải mỏng hơn độ dày của chêm mở mạch cửa và độ rộng cắt của lưới cửa phải rộng hơn độ dày của chêm mở mạch cửa.

Các cảnh báo về quy trình cắt

- ▶ **⚠ NGUY HIỂM: Không được đặt ngón tay hoặc bàn tay của bạn gần hoặc song song với lưỡi cửa.** Một thoáng vô tình hoặc bị trượt có thể hướng bàn tay bạn về phía lưỡi cửa và gây ra thương tích nghiêm trọng.
- ▶ **Chỉ đưa phiôi gia công vào lưỡi cửa ngược với hướng xoay.** Việc đưa phiôi gia công theo cùng hướng mà lưỡi cửa đang xoay phía trên bàn cửa có thể khiến phiôi gia công và bàn tay của bạn bị cuốn vào lưỡi cửa.
- ▶ **Không được sử dụng cữ vát mép để nạp phiôi gia công khi xẻ và không được sử dụng cữ dọc làm cữ chặn chiều dài khi cắt ngang bằng cữ vát mép.** Dẫn phiôi gia công bằng cữ dọc và cữ vát mép cùng lúc sẽ làm tăng khả năng xảy ra kẹt lưỡi cửa và lực phản hồi.
- ▶ **Khi xẻ, luôn dùng lực để nạp phiôi gia công giữa cữ chặn và lưỡi cửa. Sử dụng que đẩy khi khoảng cách giữa cữ chặn và lưỡi cửa nhỏ hơn 150 mm, và sử dụng khối đẩy khi khoảng cách này nhỏ hơn 50 mm.** Các thiết bị "hỗ trợ làm việc" sẽ giữ tay bạn ở khoảng cách an toàn với lưỡi cửa.
- ▶ **Chỉ sử dụng que đẩy do nhà sản xuất cung cấp hoặc được chế tạo phù hợp với các hướng dẫn.** Que đẩy này tạo khoảng cách đủ an toàn từ bàn tay đến lưỡi cửa.
- ▶ **Không được sử dụng que đẩy bị hỏng hoặc bị đứt.** Que đẩy hỏng có thể bị gãy khiến tay bạn trượt vào lưỡi cửa.
- ▶ **Không thực hiện bất kỳ thao tác nào "rảnh tay". Luôn sử dụng cữ dọc hoặc cữ vát mép để định vị và dẫn phiôi gia công.** "Rảnh tay" nghĩa là sử dụng bàn tay để đỡ hoặc dẫn phiôi gia công, thay vì dùng một cữ chặn hoặc cữ vát mép. Cửa bằng tay dẫn đến căn chỉnh sai, kẹt và lực phản hồi.

- ▶ **Không được với xung quanh hoặc với qua lưới cửa đang quay.** Việc với một phiê gia công có thể dẫn đến tiếp xúc vô tình với lưới cửa đang chuyển động.
- ▶ **Sử dụng vật đỡ phiê gia công phụ cho phía sau và/hoặc các bên của lưới cửa đối với các phiê gia công dài và/hoặc rộng để giữ chúng cân bằng.** Một phiê gia công dài và/hoặc rộng có khuynh hướng xoay trên mép của bàn cửa, gây ra mất kiểm soát, kẹt và phản hồi lưới cửa.
- ▶ **Nạp phiê gia công ở một nhịp độ đều. Không được uốn cong hoặc xoắn phiê gia công. Nếu xảy ra kẹt, hãy tắt dụng cụ ngay lập tức, rút phích cắm dụng cụ sau đó gỡ bỏ vật kẹt.** Kẹt lưới cửa do phiê gia công có thể gây ra lực phản hồi hoặc làm ngừng chạy động cơ.
- ▶ **Không được gỡ bỏ các mảnh vật liệu cắt trong khi cửa đang chạy.** Vật liệu có thể bị kẹt giữa cũ chặn hoặc bên trong tấm chắn bảo vệ lưới cửa và lưới cửa và nó có thể cuốn ngón tay của bạn vào lưới cửa. Tắt máy cửa và chờ cho đến khi lưới cửa dừng lại trước khi gỡ vật liệu.
- ▶ **Sử dụng cũ chặn phụ tiếp xúc với mặt bàn cửa khi xê phiê gia công dày dưới 2 mm.** Phiê gia công mỏng có thể chêm dưới thanh cũ và tạo ra lực đẩy ngược.

Nguyên nhân gây ra lực phản hồi và các cảnh báo liên quan

Lực phản hồi là một lực tác động đột ngột của phiê gia công do lưới cửa bị bó, kẹt hoặc bị lệch đường cắt trên phiê gia công so với lưới cửa hoặc khi một bộ phận của phiê gia công kẹt giữa lưới cửa và cũ chặn hoặc vật thể cố định khác.

Thường xuyên nhất trong lúc có lực phản hồi, phiê gia công được nâng lên từ bàn cửa bằng phần phía sau của lưới cửa và được đẩy về phía người vận hành.

Lực phản hồi là do việc sử dụng sai và/hoặc quy trình hoặc điều kiện vận hành sai máy cửa và có thể phòng tránh bằng cách áp dụng các biện pháp phòng ngừa phù hợp được nêu dưới đây.

- ▶ **Không được đứng song song với lưới cửa. Luôn đặt cơ thể bạn ở cùng một phía với lưới cửa như cũ chặn.** Lực phản hồi có thể đẩy phiê gia công ở tốc độ cao về phía bất cứ người nào đứng trước và song song với lưới cửa.
- ▶ **Không được với qua hoặc với ra sau lưới cửa để kéo hoặc đỡ phiê gia công.** Có thể xảy ra tiếp xúc vô tình với lưới cửa hoặc lực phản hồi có thể kéo ngón tay của bạn vào lưới cửa.
- ▶ **Không được giữ và ấn phiê gia công đang được cắt rời tựa vào lưới cửa đang quay.** Ấn phiê gia công đang cắt rời tựa vào lưới cửa sẽ gây kẹt và lực phản hồi.
- ▶ **Cân chỉnh cũ chặn song song với lưới cửa.** Cũ chặn bị lệch sẽ bó phiê gia công vào lưới cửa và tạo ra lực phản hồi.

- ▶ **Sử dụng một ván cắt lát mỏng để dẫn phiê gia công tựa vào bàn cửa và cũ chặn khi thực hiện các đường cắt không đứt như cắt xoi rãnh.** Ván cắt lát mỏng giúp kiểm soát phiê gia công trong trường hợp có lực phản hồi.
- ▶ **Sử dụng các panô lớn để giảm thiểu rủi ro bị kẹt lưới cửa và lực phản hồi.** Các panô lớn thường vông xuống dưới trọng lượng riêng của chúng. (Các) vật đỡ phải được đặt dưới tất cả các phần của panô treo phía trên mặt bàn cửa.
- ▶ **Sử dụng cẩn thận khi cắt một phiê gia công bị xoắn, có mắt, vênh hoặc không có mép thẳng để dẫn hướng phiê gia công bằng cũ vít mép hoặc cũ chặn.** Một phiê gia công vênh, có mắt, hoặc bị xoắn thường gõ ghê và gây lệch rãnh cửa với lưới cửa, gây ra kẹt và lực phản hồi.
- ▶ **Không được cắt nhiều hơn một phiê gia công, được xếp chồng theo chiều dọc hoặc chiều ngang.** Lưới cửa có thể lượm một hoặc nhiều mảnh và gây ra lực phản hồi.
- ▶ **Khi khởi động lại cửa có gắn lưới cửa đang ở trong phiê gia công, chỉnh tâm lưới cửa vào đúng rãnh cửa sao cho rằng cửa không bị mắc vào vật liệu.** Nếu lưới cửa bị kẹt, nó có thể nâng phiê gia công lên và gây ra lực phản hồi khi cửa được khởi động.
- ▶ **Giữ các lưới cửa sạch sẽ, sắc nhọn, và đủ bộ.** Không sử dụng các lưới cửa bị vênh hoặc các lưới cửa có răng bị vỡ hoặc gãy. Các lưới cửa sắc và được đặt đúng sẽ làm giảm kẹt, dừng và lực phản hồi.

Các cảnh báo về quy trình vận hành máy cửa bàn

- ▶ **Tắt máy cửa bàn và ngắt kết nối dây nguồn khi tháo chi tiết chèn bàn cửa, thay lưới cửa hoặc điều chỉnh cho chêm mở mạch cửa thiết bị chống đẩy ngược hoặc tấm chắn bảo vệ lưới cửa, và khi máy không được giám sát.** Các biện pháp phòng ngừa sẽ tránh tai nạn.
- ▶ **Không để cửa bàn chạy mà không giám sát. Tắt và không rời khỏi dụng cụ cho đến khi nó dừng hoàn toàn.** Cửa chạy không giám sát là một mối nguy hiểm không được kiểm soát.
- ▶ **Đặt máy cửa bàn trong một khu vực đủ ánh sáng và bằng phẳng nơi bạn có thể duy trì được chỗ đứng tốt và sự cân bằng tốt. Nên lắp đặt máy cửa bàn trong một khu vực có đủ không gian để dễ dàng xử lý các phiê gia công có kích thước khác nhau.** Các khu vực chật hẹp, tối tăm và sàn trơn không phẳng sẽ gây ra tai nạn.
- ▶ **Thường xuyên lau chùi và loại bỏ mùn cửa ra khỏi bàn cửa và/hoặc thiết bị hút bụi.** Mùn cửa tích tụ dễ bắt lửa và có thể tự bốc cháy.

- ▶ **Bàn cưa phải được cố định chặt.** Bàn cưa không được cố định chặt đúng cách có thể di chuyển hoặc lật.
- ▶ **Gỡ bỏ các dụng cụ, vụn gỗ, v.v. ra khỏi bàn cưa trước khi bật máy cưa bàn.** Sự sao nhãng hoặc kẹt có thể gây nguy hiểm.
- ▶ **Luôn sử dụng các lưỡi cưa đúng kích cỡ và hình dáng (lưỡi kim cương khác với lưỡi tròn) của lỗ tâm.** Các lưỡi cưa không khớp với các phụ kiện cứng ghép nối của máy cưa sẽ làm lệch tâm và có thể làm mất kiểm soát.
- ▶ **Không được sử dụng các phụ kiện gắn lưỡi cưa bị hỏng hoặc không chính xác như mặt bích, vòng đệm lưỡi cưa, bu lông hoặc đai ốc.** Các phụ kiện gắn này được thiết kế đặc biệt cho cưa của bạn, để đảm bảo vận hành an toàn và hiệu suất tối ưu.
- ▶ **Không được đứng trên bàn cưa, không sử dụng nó làm bậc.** Chấn thương nghiêm trọng có thể xảy ra nếu dụng cụ bị nghiêng hoặc nếu vô tình chạm vào dụng cụ cắt.
- ▶ **Đảm bảo lưỡi cưa được lắp để xoay theo hướng thích hợp. Không sử dụng bánh mài, bàn chải kim loại, hoặc bánh nhám trên cưa bàn.** Lắp lưỡi cưa không đúng cách hoặc sử dụng các phụ kiện không được khuyến cáo có thể gây ra thương tích nghiêm trọng.

Các cảnh báo phụ thêm

- ▶ **Khi lắp ráp lưỡi cưa, hãy mang găng tay bảo hộ vào.** Việc này bao gồm nguy hiểm gây thương tích.
- ▶ **Không được sử dụng lưỡi cưa bằng thép HSS.** Những loại lưỡi cưa như vậy có thể vỡ dễ dàng.
- ▶ **Chỉ sử dụng lưỡi cưa phù hợp với các đặc tính kỹ thuật được ghi rõ trong các hướng dẫn sử dụng và trên dụng cụ điện và đã được thử nghiệm, và được đánh dấu đáp ứng tiêu chuẩn EN 847-1.**
- ▶ **Không được sử dụng dụng cụ điện mà không có chỉ tiết gài bàn. Thay chỉ tiết gài bàn đã hỏng.** Chỉ tiết gài bàn mà không hoàn hảo, lưỡi cưa có thể gây ra thương tích.
- ▶ **Giữ nơi làm việc của bạn sạch sẽ.** Các hỗn hợp vật liệu là đặc biệt nguy hiểm. Bụi kim loại nhẹ có thể cháy hoặc nổ.
- ▶ **Hãy chọn lưỡi cưa phù hợp cho vật liệu, mà bạn muốn gia công.**
- ▶ **Chỉ sử dụng lưỡi cưa do nhà sản xuất máy khuyến nghị, và thích hợp để cưa loại vật liệu được gia công cắt.**
- ▶ **Bạn chỉ được dẫn phôi gia công tới lưỡi cưa đang chạy.** Nếu không, có nguy cơ bị lực dội ngược khi lưỡi cưa bị chèn chặt trong vật gia công.

Các Biểu Tượng

Các biểu tượng sau đây có khả năng diễn đạt ý nghĩa về cách sử dụng dụng cụ điện cầm tay của bạn. Xin vui lòng ghi nhận các biểu tượng và ý nghĩa của chúng. Sự hiểu đúng các biểu tượng sẽ giúp bạn sử dụng máy một cách tốt và an toàn hơn.

Biểu tượng và các ý nghĩa của chúng



Để tay tránh khỏi phạm vi cắt khi máy đang hoạt động. Có nguy cơ gây thương tích tích khi chạm vào lưỡi cưa.



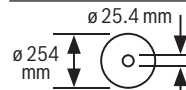
Hãy mang kính bảo hộ.



Hãy mang dụng cụ bảo vệ tai. Để tai trần tiếp xúc với tiếng ồn có thể làm mất thính giác.

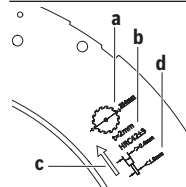


Hãy mang mặt nạ chống bụi.



Hãy tuân thủ kích thước của lưỡi cưa. Đường kính lỗ phải vừa vặn với trục máy của dụng cụ, không bị lỏng lẻo. Nếu cần sử dụng ống nối chuyển tiếp, hãy đảm bảo rằng các kích thước của ống nối chuyển tiếp phải phù hợp với độ dày thép lá và đường kính lỗ của lưỡi cưa cũng như đường kính của trục dụng cụ. Hãy sử dụng ống nối chuyển tiếp giao kèm với lưỡi cưa.

Đường kính lưỡi cưa phải phù hợp với thông số trên biểu tượng.



a Đường kính của lưỡi cưa tối đa cho phép là 254 mm.

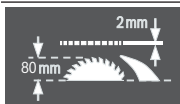
b Độ dày của dao tách lớp là 2 mm.

c Mũi tên chỉ hướng của răng (chiều của mũi tên trên lưỡi cưa) phải cùng chiều với chiều mũi tên trên dao tách lớp.

d Khi thay lưỡi cưa hãy đảm bảo rằng chiều rộng cắt không nhỏ hơn 2,4 mm và độ

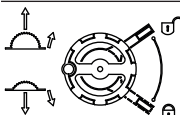
Biểu tượng và các ý nghĩa của chúng

dày lưỡi không lớn hơn 1,8 mm. Nếu không, có nguy cơ dao tách lớp bị nêch chặt trong phôi gia công.



Độ dày của dao tách lớp là 2 mm.

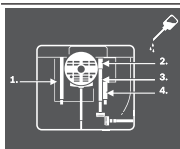
Chiều cao phôi gia công tối đa có thể là 80 mm.

**Phía bên trái:**

Hiển thị hướng xoay của tay quay để hạ (**Vị trí vận chuyển**) và nâng (**Vị trí làm việc**) của lưỡi cưa.

Phía bên phải:

Hiển thị vị trí của cần khóa để cố định lưỡi cưa và khi thiết lập góc xiên dọc (Lưỡi cưa có thể xoay).



Nếu cần bôi trơn máy, đưa dụng cụ điện đến địa điểm đã được chỉ định để bảo trì.



Dụng cụ điện thuộc cấp độ bảo vệ IP65 được tăng cường hoặc được cách điện kép.



Với ký hiệu CE, nhà sản xuất xác nhận rằng dụng cụ điện tuân thủ các chỉ thị áp dụng của EU.

Mô Tả Sản Phẩm và Đặc Tính Kỹ Thuật

Đọc kỹ mọi cảnh báo an toàn và mọi hướng dẫn. Không tuân thủ mọi cảnh báo và hướng dẫn được liệt kê dưới đây có thể bị điện giật, gây cháy và / hay bị thương tật nghiêm trọng.

Xin lưu ý các hình minh họa trong phần trước của hướng dẫn vận hành.

Sử dụng đúng cách

Dụng cụ điện được thiết kế để làm máy đặt cố định dùng để cắt loại gỗ cứng, gỗ mềm và cho ván ghép, ván xơ ép theo chiều dài, chiều ngang. Do đó có thể có góc vuông nằm ngang từ -30° tới $+30^\circ$ cũng như góc vuông thẳng đứng từ 0° tới 45° .

Khi sử dụng lưỡi cưa thích hợp, việc cưa nhôm định hình và nhựa cũng có thể được.

Các bộ phận được minh họa

Sự đánh số các biểu tượng của sản phẩm là để tham khảo hình minh họa của máy trên trang hình ảnh.

- (1) Thước đo khoảng cách lưỡi cưa đến thanh cữ
- (2) Thước đo khoảng cách lưỡi cưa đến thanh cữ khi bàn cưa được kéo ra
- (3) Cữ chặn góc
- (4) Bàn cưa
- (5) Rãnh dẫn hướng cữ chỉnh đặt góc
- (6) Nắp bảo vệ
- (7) Van một chiều
- (8) Chi tiết gài bàn
- (9) Thanh cữ
- (10) Phần mở rộng bàn cưa
- (11) Chỗ lõm để nắm
- (12) Thanh cữ Depot
- (13) Bộ phận bảo vệ chống lật
- (14) Chân đế
- (15) Cần đẩy
- (16) Cần khóa điều chỉnh góc xiên
- (17) Cần quay để hạ và nâng lưỡi cưa
- (18) Tay quay
- (19) Nắp an toàn của công tắc Tắt/Mở
- (20) Quai kẹp phần mở rộng bàn cưa
- (21) Cần đẩy Depot
- (22) Cữ chặn cho góc xiên 45° (đứng)
- (23) Thước đo góc xiên (đứng)
- (24) Cữ chặn cho góc xiên 0° (đứng)
- (25) Nút bật
- (26) Nút khởi động lại
- (27) Dao tách lớp
- (28) Lưỡi cưa
- (29) Cữ chặn góc Depot
- (30) Phần cuốn cáp
- (31) Lỗ lắp bắt vào chân đế
- (32) Lỗ lắp bắt
- (33) Dụng cụ Depot/Van một chiều
- (34) Cút nối ống hút
- (35) Chia vận vòng (10 mm; 13 mm)
- (36) Chia móc/Chia vận hình đĩa (10 mm)
- (37) Bộ vít định vị "chân đế"
- (38) Bộ vít định vị "bộ phận bảo vệ chống lật"
- (39) Bộ vít định vị "dụng cụ điện"
- (40) Bu-lông Dao tách lớp
- (41) Các khe hở của chi tiết gài bàn
- (42) Nút bấm van một chiều

- | | |
|---|--|
| (43) Quai kẹp cố định thanh cũ | (59) Vạch chỉ độ góc (đứng) |
| (44) Đường dẫn chữ V của thanh cũ | (60) Núm khóa dành cho các góc vát khác nhau (ngang) |
| (45) Rãnh dẫn hướng V trên bàn của thanh cũ | (61) Kim chỉ góc trên cỡ chỉnh đặt góc |
| (46) Rãnh dẫn hướng thanh cũ | (62) Thấu kính |
| (47) Thanh cũ phụ | (63) Kim chỉ khoảng hở bàn của |
| (48) Bộ vít định vị "Thanh cũ phụ" | (64) Vít bốn cạnh để điều chỉnh cỡ chặn 0° |
| (49) Thanh dẫn hướng cỡ chỉnh đặt góc | (65) Vít bắt vạch chỉ độ góc (đứng) |
| (50) Thanh biên dạng | (66) Vít bốn cạnh để điều chỉnh cỡ chặn 45° |
| (51) Đai vít tại hồng thanh biên dạng | (67) Các vít lục giác chìm (5 mm) phía trước để điều chỉnh sự song song của lưỡi của |
| (52) Tấm che lưỡi của bên dưới | (68) Các vít lục giác chìm (5 mm) phía sau để điều chỉnh sự song song của thanh cũ |
| (53) Vít cố định tấm che lưỡi của bên dưới | (69) Vít bắt kim chỉ khoảng hở của bàn của |
| (54) Lỗ kẹp chỉ tiết gài bàn | (70) Các vít lục giác chìm (5 mm) để điều chỉnh sự song song của thanh cũ |
| (55) Bích kẹp | (71) Vít bắt kim chỉ khoảng hở của dưỡng cặp cạnh |
| (56) Vít đầu lục giác của lưỡi của | |
| (57) Vòng đệm | |
| (58) Mặt bích tiếp nhận | |

Thông số kỹ thuật

Cửa Bàn		GTS 254	GTS 254
Mã số máy		3 601 M45 080 3 601 M45 0L0 3 601 M45 0K0 3 601 M45 0F0	3 601 M45 0C0
Công suất vào danh định	W	1800	1800
Tốc độ không tải	min ⁻¹	4300	3800
Làm giảm cường độ dòng điện khi khởi động		●	●
Trọng lượng theo Quy trình EPTA-Procedure 01:2014	kg	24,4	24,4
Cấp độ bảo vệ		□/II	□/II
Kích thước (bao gồm dụng cụ phụ trợ có thể tháo)			
Chiều rộng x chiều sâu x chiều cao	mm	690 x 620 x 1000	690 x 620 x 1000
Kích thước lưỡi của phù hợp			
Đường kính lưỡi của	mm	254	254
Độ dày lưỡi	mm	< 1,8	< 1,8
Độ dày răng của/phân bố, tối thiểu	mm	> 2,4	> 2,4
Lỗ lắp lưỡi cắt	mm	25,4	25,4

Kích thước phối gia công tối đa: (xem „Kích thước phối gia công tối đa“, Trang 107)

Các giá trị đã cho có hiệu lực cho điện thế danh định [U] 230 V. Đối với điện thế thấp hơn và các loại máy dành riêng cho một số quốc gia, các giá trị này có thể thay đổi.

Sự lắp vào

- ▶ **Phòng ngừa máy khởi động bất ngờ. Trong khi lắp ráp hay có việc làm gì trên máy, phích cắm điện phải được rút ra khỏi nguồn cấp điện.**

Các món được giao

Trước khi vận hành lần đầu, hãy kiểm tra dụng cụ điện xem tất cả các bộ phận theo thiết kế có được cung cấp đầy đủ không:

- Cửa bàn với lưỡi của được lắp (28)
- Bộ vít định vị "dụng cụ điện" (39) (8 vít định vị, 8 vòng đệm)

- Chân đế (14)
- Bộ vít định vị "chân đế" (37) (16 vít định vị, 16 vòng đệm, 16 vòng chặn, 16 đai ốc)
- Bộ phận bảo vệ chống lật (13)
- Bộ vít định vị "chân đế" (38) (4 vít định vị, 8 vòng đệm, 4 vòng chặn, 4 đai ốc)
- Cờ chặn góc (3)
- Thanh biên dạng (50)
- Đai vít tai hồng "thanh biên dạng" (51)
- Thanh cỡ (9)
- Thanh cỡ phụ (47)
- Bộ vít định vị "Thanh cỡ phụ" (48) (2 Vít cố định, 2 đai ốc tai hồng)
- Dao tách lớp (27) với nắp bảo vệ được lắp (6)
- Van một chiều (7)
- Chia vận vòng (35)
- Chia móc/Chia vận hình đĩa (36)
- Cần đẩy (15)
- Chi tiết gài bàn (8)

Lưu ý: Hãy kiểm tra dụng cụ điện xem có hư hỏng nào không.

Trước khi tiến hành sử dụng máy, kiểm tra cẩn thận xem tất cả các chi tiết dùng bảo vệ hay các bộ phận bị hư hỏng nhẹ có hoạt động tốt và theo đúng quy định không. Tất cả các hư hỏng nhẹ phải được kiểm tra cẩn thận để bảo đảm sự hoạt động của dụng cụ được hoàn hảo. Tất cả các bộ phận phải được lắp ráp đúng cách và tất cả các điều kiện cần có phải được đáp ứng đúng và đủ để bảo đảm sự hoạt động được hoàn hảo.

Các chi tiết bảo vệ và các bộ phận hư hỏng phải được thay ngay thông qua một trung tâm bảo hành-bảo trì được ủy nhiệm.

Lắp bắt cố định hay linh hoạt

- ▶ Để bảo đảm sự điều khiển được an toàn, máy phải được lắp bắt lên trên một bề mặt phẳng và vững chãi (vd. bàn thợ) trước khi sử dụng.

Lắp với chân đế và bộ phận bảo vệ chống trượt (xem hình a1 – a3)

- Hãy sử dụng bộ vít định vị "chân đế" để lắp (37), "bộ bảo vệ chống trượt" (38) và "dụng cụ điện" (39)
- Bắt các vít đế (14) với nhau. Xiết chặt vít.
 - Bắt vít bộ phận bảo vệ chống trượt (13) vào chân đế.
 - Đặt dụng cụ điện trên chân đế sao cho bộ phận bảo vệ chống trượt hướng về phía sau.
 - Bắt vít dụng cụ điện vào chân đế. Các lỗ khoan mặt bên (31) ở dụng cụ điện và các lỗ trên chân đế được sử dụng cho việc này.

Lắp không chân đế (xem hình b)

- Bắt chắc dụng cụ điện bằng loại vít lắp bắt thích hợp lên trên bề mặt gia công. Các lỗ khoan dùng cho mục đích này (32).

Lắp Ráp Các Thành Phần Chi Tiết

- Lấy tất cả các bộ phận được giao kèm theo máy ra khỏi bao bì một cách cẩn thận.
 - Lấy tất cả các gói tài liệu hướng dẫn và các phụ kiện giao kèm ra khỏi máy.
 - Bảo đảm rằng tập tài liệu nằm bên dưới khối động cơ (mô-tơ) đã được lấy ra.
- Gắn những dụng cụ phụ trợ sau đây lên vỏ: Van một chiều (7), chia vận vòng (35), chia móc/Chia vận hình đĩa (36), cờ chặn góc (3), thanh cỡ (9), thanh cỡ phụ (47) bằng bộ vít (48), nắp bảo vệ (6), cần đẩy (15), lưỡi cưa (28).
- Ngay khi bạn cần một dụng cụ phụ trợ, hãy tháo cẩn thận ra khỏi vị trí cất giữ.

Lắp dao tách lớp (xem hình c)

Hướng dẫn: Nếu thấy cần, làm sạch tất cả các bộ phận sắp lắp vào trước khi định vị.

- Tháo chi tiết gài bàn nếu cần (8).
- Hãy xoay tay quay (17) theo chiều kim đồng hồ cho đến cỡ chặn, để lưỡi cưa (28) nằm trong vị trí cao nhất có thể trên bàn cưa.
- Nhả bu-lông (40) bằng chia vận đầu vòng (35).
- Chèn dao tách lớp vào (27) và đẩy nó xuống dưới đến cỡ chặn.
- Siết chặt lại bu-lông (40) bằng chia vận đầu vòng (35).
- Lắp chi tiết gài bàn (8).

Lắp chi tiết gài bàn (xem Hình d)

- Hãy móc chi tiết gài bàn (8) vào các khe hở sau (41) của trục dụng cụ.
- Đẩy chi tiết gài bàn xuống dưới.
- Hãy ấn lên chi tiết gài bàn, cho đến khi nó khớp vào trục dụng cụ phía trước.

Lắp van một chiều (xem hình e)

Trong trường hợp xảy ra hiện tượng giật ngược, van một chiều (7), ngăn không cho phôi gia công văng theo hướng của người vận hành. Những chiếc răng sắc của chốt ăn sâu vào bề mặt của phôi và giữ nó lại.

- Nhấn nút bấm (42) của van một chiều (7) cùng nhau.
- Để kéo bu lông dẫn hướng lại.
- Hướng van một chiều (7) qua dao tách lớp (27) và nhả nút bấm (42).
- Trượt van một chiều về phía nắp bảo vệ cho đến khi bu lông dẫn hướng khớp vào lỗ khoan phía sau ao tách lớp.
- Kiểm tra xem bu lông dẫn hướng có được kết nối chắc chắn với lỗ khoan và van một chiều có hoạt động bình thường không. Cẩn thận nhắc các chốt của van một chiều. Khi nhả ra, các chốt có lò xo phải đi xuống và chạm vào chi tiết gài bàn.

Lắp thanh cũ (xem Hình f)

Thanh cũ (9) có thể được lắp ở bên trái hoặc bên phải từ lưới cửa.

- Nới lỏng quai kẹp (43) của thanh cũ (9). Vì vậy, thanh dẫn hướng V (44) được khớp vào.
- Trước hết hãy lắp thanh cũ có thanh dẫn hướng V vào rãnh dẫn hướng (45) của bàn cửa. Sau đó hãy định vị thanh cũ trong rãnh dẫn hướng trước (46) của bàn cửa.
- Đường cặp cạnh giờ đây có thể chuyển dịch về bất kỳ vị trí nào.
- Để siết chặt thanh cũ hãy ấn tay kẹp (43) xuống dưới.

Lắp thanh cũ phụ (xem hình g)

Để cửa chi tiết gia công hẹp và cửa góc chéo thẳng đứng bạn phải lắp thanh cũ bổ sung (47) vào thanh cũ (9).

Thanh cũ phụ có thể được lắp bên trái hoặc bên phải ở thanh cũ (9) tùy theo nhu cầu.

Sử dụng bộ vít định vị "Thanh cũ phụ" để lắp (48) (2 Vít cố định, 2 đai ốc tai hồng).

- Hãy đẩy vít cố định qua lỗ khoan bên ở thanh cũ (9).
- Đầu các bu-lông được sử dụng như một vật dẫn hướng cho đường cặp cạnh phụ.
- Hãy đẩy thanh cũ phụ (47) qua các đầu của vít cố định.
- Siết chặt các vít bằng các đai ốc tai hồng.

Lắp cũ chặn góc (xem hình h1 – h2)

- Hãy dẫn ray (49) của cũ chặn góc (3) vào một trong các rãnh dẫn hướng cho sẵn (5) của bàn cửa.

Để tạo các phiá gia công dài tốt hơn, cũ chặn góc có thể được mở rộng bằng thanh biên dạng (50).

- Lắp thanh biên dạng nhờ các đai ốc tai hồng (51) vào cũ chặn góc nếu cần.

Hút Dăm/Bụi

Mạt bụi từ các vật liệu được sơn phủ ngoài có chứa chì trên một số loại gỗ, khoáng vật và kim loại có thể gây nguy hại đến sức khỏe con người. Dụng cụ chạm hay hít thở các bụi này có thể làm người sử dụng hay đứng gần bị dị ứng và/hoặc gây nhiễm trùng hệ hô hấp.

Một số hạt bụi cụ thể, ví dụ như bụi gỗ sợi hay dầu, được xem là chất gây ung thư, đặc biệt là có liên quan đến các chất phụ gia dùng xử lý gỗ (chất cromat, chất bảo quản gỗ). Có thể chỉ nên để thợ chuyên môn gia công các loại vật liệu có chứa amiăng.

- Cách xa ở mức có thể được, sử dụng hệ thống hút thích hợp cho loại vật liệu.
- Tạo không khí thông thoáng nơi làm việc.
- Khuyến nghị nên mang mặt nạ phòng độc có bộ lọc cấp P2.

Tuân thủ các qui định của quốc gia bạn liên quan đến loại vật liệu gia công.

Sự hút bụi/dầm có thể bị bụi, dầm hay các mảnh nhỏ của vật gia công làm cho tắc nghẽn lại.

- Tắt máy và kéo phích cắm điện nguồn ra khỏi ổ cắm.
- Hãy chờ cho đến khi lưới cửa dừng hẳn.
- Xác định nguyên nhân làm tắc nghẽn và chỉnh sửa lại.

▶ **Tránh không để rác tích tụ tại nơi làm việc.** Rác có thể dễ dàng bắt lửa.

▶ **Để tránh nguy cơ cháy khi cửa nhôm, hãy trút sạch phần tổng mặt cửa và không sử dụng hút vô bào.**

Trút sạch phần tổng mặt cửa (xem Hình i)

Để loại bỏ các mảnh gầy của phiá gia công và các vô bào lớn, bạn có thể mở tấm che lưới cửa bên dưới (52).

- Tắt máy và kéo phích cắm điện nguồn ra khỏi ổ cắm.
- Hãy chờ cho đến khi lưới cửa dừng hẳn.
- Hãy nghiêng dụng cụ điện sang bên.
- Nới lỏng vít cố định (53) và mở tấm che lưới cửa bên dưới (52).
- Tháo gỡ các mảnh vụn và dầm của vật gia công.
- Đóng tấm che lưới cửa bên dưới và vít chặt lại.
- Đặt máy ở vào tư thế hoạt động.

Hút bụi bên ngoài (xem Hình j)

- Cắm chặt ống hút bụi phù hợp vào cút nối ống hút (34).

Máy hút bụi phải thích hợp dành cho loại vật liệu đang gia công.

Khi hút bụi khô loại đặc biệt gây nguy hại đến sức khỏe hoặc gây ra ung thư, hãy sử dụng máy hút bụi loại chuyên dụng.

Thay lưới cửa (xem Hình k1–k4)

- ▶ **Trước khi tiến hành bất cứ việc gì trên máy, kéo phích cắm điện nguồn ra.**
- ▶ **Khi lắp ráp lưới cửa, hãy mang găng tay bảo hộ vào.** Việc này bao gồm nguy hiểm gây thương tích.
- ▶ **Chỉ sử dụng lưới cửa có tốc độ tối đa cho phép cao hơn tốc độ không tải của dụng cụ điện.**
- ▶ **Chỉ sử dụng lưới cửa phù hợp với các đặc tính kỹ thuật được ghi rõ trong các hướng dẫn sử dụng và trên dụng cụ điện và đã được thử nghiệm, và được đánh dấu đáp ứng tiêu chuẩn EN 847-1.**
- ▶ **Chỉ sử dụng lưới cửa do nhà sản xuất máy khuyến nghị, và thích hợp để cửa loại vật liệu được gia công cắt.**

- ▶ **Không được sử dụng lưới cửa bằng thép HSS.** Những loại lưới cửa như vậy có thể vỡ dễ dàng.

Tháo Lưới Cửa

- Hãy xoay tay quay (17) theo chiều kim đồng hồ cho đến cỡ chặn, để lưới cửa (28) nằm trong vị trí cao nhất có thể trên bàn cửa.
- Gấp nắp bảo vệ (6) về phía sau.
- Nâng chi tiết gài bàn (8) vào lỗ kẹp (54) và tháo nó ra khỏi trục dụng cụ.
- Vặn vít đầu lục giác (56) bằng chia vặn (35) ngược chiều kim đồng hồ, trong khi dùng chia móc (36) giữ nó trên bích kẹp (55).
- Tháo vòng đệm (57) và bích kẹp (55).
- Tháo lưới cửa (28).

Lắp Lưới Cửa

Nếu thấy cần, làm sạch tất cả các bộ phận sắp lắp vào trước khi ráp.

- Lắp lưới cửa mới vào lên trên mặt bích tiếp nhận (58) của trục máy.

Hướng dẫn: Không sử dụng lưới cửa quá nhỏ. Khe hở hướng tâm giữa lưới cửa và dao tách lớp chỉ được phép tối đa là 3 – 8 mm.

- ▶ **Khi lắp lưới cửa, hãy lưu ý rằng chiều cắt của răng (chiều của mũi tên trên lưới cửa) cùng chiều với chiều mũi tên trên nắp bảo vệ!**

- Gắn bích kẹp (55), vòng đệm (57) và vít đầu lục giác (56) vào.
- Vặn vít đầu lục giác (56) bằng chia vặn (35) theo chiều kim đồng hồ, trong khi dùng chia móc (36) giữ nó trên bích kẹp.
- Đặt chi tiết gài bàn (8) lại.
- Gấp nắp bảo vệ (6) về phía trước.

Vận Hành

- ▶ **Trước khi tiến hành bất cứ việc gì trên máy, kéo phích cắm điện nguồn ra.**

Vị trí vận chuyển và làm việc của lưới cửa

Vị trí dùng chuyển vận

- Hãy tháo nắp bảo vệ (6), tháo chi tiết gài bàn (8) và định vị dao tách lớp (27) trong vị trí dưới. Đặt chi tiết gài bàn (8) lại.
- Hãy xoay tay quay (17) ngược chiều kim đồng hồ, đến khi răng của lưới cửa (28) ở bên dưới bàn cửa (4).
- Đẩy bàn cửa mở rộng (10) hết vào trong.
- Ấn tay kẹp (20) xuống dưới. Để cố định phần mở rộng của bàn cửa.

Vị Trí Làm Việc

- Định vị dao tách lớp (27) vào vị trí trên cùng qua phần giữa của lưới cửa, đặt chi tiết gài bàn (8) vào và lắp nắp bao vệ (6).

- Hãy xoay tay quay (17) theo chiều kim đồng hồ, đến khi răng trên của lưới cửa (28) ở bên trên phôi gia công khoảng 3 – 6 mm.

Điều chỉnh ngang và dọc góc vát ngang

Để bảo đảm đường cắt chính xác, sự điều chỉnh cơ bản của máy phải được kiểm tra và điều chỉnh lại như là việc cần thiết sau khi hoạt động cao độ.

Điều chỉnh góc vát dọc (lưới cửa) (xem hình A)

Góc xiên đứng có thể được điều chỉnh trong phạm vi từ 0° đến 45°.

- Nhả tay gạt siết (16) ngược chiều kim đồng hồ.

Hướng dẫn: Khi nhả hoàn toàn cần khóa, lưới cửa sẽ nghiêng vào một vị trí tương ứng khoảng 30° bằng trọng lực.

- Hãy kéo và ấn nút điều khiển (18) dọc theo ụ trượt, đến khi chỉ báo góc (59) chỉ rõ góc vát dọc mong muốn.

- Giữ nút điều khiển ở nguyên vị trí này và siết chặt cần khóa (16) lại như trước.

Để điều chỉnh nhanh và chính xác góc tiêu chuẩn dọc 0° và 45°, phải có các cỡ chặn được điều chỉnh ((24), (22)).

Điều chỉnh góc vát ngang (cỡ chặn góc) (xem hình B)

Có thể điều chỉnh góc vát ngang trong phạm vi từ 30° (bên trái) đến 30° (bên phải).

- Nới lỏng nút khóa (60) trong trường hợp đã được siết chặt.
- Xoay cỡ chặn góc, cho đến khi chỉ báo góc (61) chỉ rõ góc vát mong muốn.
- Siết chặt nút khóa (60) lại như trước.

Tăng Kích Thước của Bàn Cửa

Các chi tiết gia công dài và/hay nặng phải được kê đỡ ở phần đầu trống.

Phần mở rộng bàn cửa (xem hình C)

Phần mở rộng bàn cửa (10) sẽ mở rộng bàn cửa (4) sang bên phải tối đa 950 mm.

- Kéo tay kẹp (20) của phần mở rộng bàn cửa lên hoàn toàn.
- Kéo bàn cửa mở rộng (10) ra ngoài cho đến khi đạt được độ dài mong muốn.
- Ấn tay kẹp (20) xuống dưới. Để cố định phần mở rộng của bàn cửa.

Điều Chỉnh Dưỡng Cạp Cạnh

Thanh cữ (9) có thể được lắp ở bên trái hoặc bên phải từ lưới cửa. Đánh dấu trong thấu kính (62) hiển thị khoảng cách được thiết lập của thanh cữ tới lưới cửa trên thước đo (1).

Hãy định vị thanh cữ sang phía mong muốn của lưới cửa (xem „Lắp thanh cữ (xem Hình f)“, Trang 105).

Điều chỉnh thanh cũ khi bàn cưa không được kéo ra

- Nới lỏng quai kẹp (43) của thanh cũ (9). Di chuyển thanh cũ, đến khi đánh dấu trong thấu kính (62) hiển thị khoảng cách mong muốn đến lưỡi cưa.
Nhấn cửa thước được áp dụng khi bàn cưa không kéo ra (1).
- Để cố định hãy ấn tay kẹp (43) xuống dưới.

Điều chỉnh thanh cũ khi bàn cưa được kéo ra (xem hình D)

- Đặt dưỡng cặp cạnh lên bên phải của lưỡi cưa. Di chuyển thanh cũ, đến khi đánh dấu trong thấu kính (62) hiển thị (1) 28 cm trên thước.
Để cố định hãy ấn tay kẹp (43) xuống dưới.
- Kéo tay kẹp (20) của phần mở rộng bàn cưa lên hoàn toàn.
- Hãy kéo phần mở rộng bàn cưa (10) ra ngoài, đến khi kim chỉ khoảng hở (63) hiển thị khoảng cách mong muốn tới lưỡi cưa trên thước trên (2).
- Ấn tay kẹp (20) xuống dưới.
Để cố định phần mở rộng của bàn cưa.

Điều chỉnh thanh cũ phụ (xem hình E)

Để cưa chi tiết gia công hẹp và cưa góc chéo thẳng đứng bạn phải lắp thanh cũ bổ sung (47) vào thanh cũ (9).

Thanh cũ phụ có thể được lắp bên trái hoặc bên phải ở thanh cũ (9) tùy theo nhu cầu.

Khi cưa vật liệu, các vật gia công này có thể bị kẹt giữa dưỡng cặp cạnh và lưỡi cưa, bị lưỡi cưa đang quay ghim vào, và bị đẩy văng ra khỏi máy.

Ví dụ, điều chỉnh dưỡng cặp cạnh phụ theo cách sao cho đầu dẫn của dưỡng được đặt giữa răng trước của lưỡi cưa và đầu cạnh của dao tách lớp.

- Muốn vậy, hãy nới lỏng tất cả đai ốc tai hồng của bộ vít định vị (48) và dịch chuyển thanh cũ phụ tương ứng.
- Siết chặt các đai ốc tai chuẩn lại.

Bắt Đầu Vận Hành

- ▶ **Tuân thủ theo đúng điện thế!** Điện thế nguồn phải đúng với điện thế đã ghi rõ trên nhãn máy.

Bật (xem hình F1)

- Gấp nắp an toàn (19) lên trên.
- Để bắt đầu vận hành hãy nhấn nút bật xanh lá (25).
- Để nắp an toàn (19) hạ xuống một lần nữa.

Tắt (xem hình F2)

- Bạn hãy ấn lên nắp an toàn (19).

Ngăn Chống Sự Quá Tải

Dụng cụ điện được trang bị cơ cấu chống quá tải. Trong quá trình sử dụng sắp tới, không được để dụng cụ điện bị quá tải. Nếu tải trọng quá nặng, hệ thống điện sẽ tắt dụng cụ điện.

Hãy tiến hành các bước sau đây để vận hành lại dụng cụ điện;

- Hãy làm mát dụng cụ điện ít nhất 10 phút.
- Hãy nhấn nút khởi động lại (26) và sau đó bật lại dụng cụ điện.

Sự Cố Mất Điện

Công tắc Tắt/Mở được gọi là công tắc không điện thế, nó ngăn không cho dụng cụ điện khởi động trở lại sau khi điện bị ngắt và có điện trở lại (vd. khi phích cắm điện chính bị kéo ra khỏi ổ điện cung cấp trong lúc hoạt động).

Sau đó để vận hành lại dụng cụ điện, bạn phải ấn lại nút bật xanh lá (25).

Hướng Dẫn Sử Dụng

Các Hướng Dẫn Cưa Tổng Quát

- ▶ **Đối với mọi kiểu cắt, đầu tiên phải bảo đảm rằng lưỡi cưa không bao giờ có thể chạm được vào cỡ chặn hay các bộ phận khác của máy.**
- ▶ **Chỉ dùng dụng cụ điện để khía rãnh hoặc tạo nếp với thiết bị bảo vệ phù hợp (ví dụ nắp bảo vệ dạng hãm, vành chặn).**
- ▶ **Không sử dụng dụng cụ điện để cắt rãnh (rãnh được hoàn thiện trên phôi gia công).**

Bảo vệ lưỡi cưa tránh bị va đập hay chạm mạnh. Không để lưỡi cưa phải chịu lực áp hông.

Dao tách lớp phải nằm thẳng hàng với lưỡi cưa để tránh bị kẹt chặt trong vật gia công.

Không được cưa vật gia công bị cong hay bị oằn. Vật gia công phải luôn luôn có cạnh thẳng, áp sát vào dưỡng cặp cạnh.

Luôn luôn cất giữ/bảo quản cẩn thận cùng với dụng cụ điện.

Tư thế của người thao tác (xem Hình G)

- ▶ **Không được đứng song song với lưỡi cưa. Luôn đặt cơ thể của bạn ở cùng một phía với lưỡi cưa như cỡ chặn.** Lực phản hồi có thể đẩy phôi gia công ở tốc độ cao về phía bất cứ người nào đứng trước và song song với lưỡi cưa.
- Để tay, ngón tay và cánh tay tránh khỏi lưỡi cưa đang quay.

Tuân theo các hướng dẫn sau đây:

- Giữ vật gia công thật chắc chắn bằng cả hai tay và chắc tay áp đẩy vật gia công vào lưỡi cưa.
- Luôn sử dụng thanh đẩy giao kèm (15) và thanh cũ bổ sung (47) cho chi tiết gia công hẹp và để cưa góc chéo thẳng đứng.

Kích thước phôi gia công tối đa

Góc xiên nằm đứng	chiều cao tối đa của phôi gia công [mm]
0°	80
45°	55

Cửa

Cửa Đường Thăng

- Hãy điều chỉnh thanh cỡ (9) thành chiều rộng cần mong muốn.
 - Hãy đặt phôi gia công lên bàn cửa trước nắp bảo vệ (6).
 - Hãy nâng hoặc hạ lưỡi cửa bằng tay quay (17), đến khi rãnh trên của lưỡi cửa (28) ở bên trên phôi gia công khoảng 3–6 mm.
 - Bật công tắc cho máy hoạt động.
 - Cắt xuyên qua vật gia công với lực áp lên máy đồng đều.
- Nếu bạn ấn quá nhiều lần, các đầu lưỡi cửa có thể quá nhiệt và phôi gia công có thể bị hỏng.
- Tắt máy và đợi cho đến khi lưỡi cửa đã ngừng quay hoàn toàn.

Cửa Góc Xiên

- Điều chỉnh góc vát dọc mong muốn của lưỡi cửa. Khi lưỡi cửa nghiêng sang trái, thanh cỡ (9) phải ở bên phải của lưỡi cửa.
- Hãy tuân theo các bước làm việc tương ứng: (xem „Cửa Đường Thăng“, Trang 108)

Cửa góc vát ngang (xem hình H)

- Điều chỉnh góc vát ngang mong muốn trên cỡ chặn góc (3).
- Hãy đặt phôi gia công lên thanh biên dạng (50). Thanh biên dạng có thể không nằm trên đường cắt. Trong trường hợp này hãy nới lỏng đai ốc tai hỏng (51) và dịch chuyển thanh biên dạng.
- Hãy nâng hoặc hạ lưỡi cửa bằng tay quay (17) đến khi rãnh trên của lưỡi cửa (28) ở bên trên phôi gia công khoảng 3–6 mm.
- Bật công tắc cho máy hoạt động.
- Hãy ấn phôi gia công bằng một tay vào thanh biên dạng (50) và đẩy chậm cỡ chặn góc ra trước vào rãnh dẫn hướng bằng tay kia trên nút khóa (60) từ từ về phía trước vào rãnh dẫn hướng (3).
- Tắt máy và đợi cho đến khi lưỡi cửa đã ngừng quay hoàn toàn.

Kiểm tra và điều chỉnh các thiết lập cơ bản

Để bảo đảm đường cắt chính xác, sự điều chỉnh cơ bản của máy phải được kiểm tra và điều chỉnh lại như là việc cần thiết sau khi hoạt động cao độ. Việc này đòi hỏi phải có một mức độ kinh nghiệm nhất định và các dụng cụ chuyên môn thích hợp. Trạm phục vụ hàng sau khi bán của Bosch sẽ xử lý việc bảo trì này một cách nhanh chóng và đáng tin cậy.

Điều chỉnh các cỡ chặn của góc vát dọc tiêu chuẩn 0°/45°

- Đặt máy ở vào tư thế hoạt động.

- Chỉnh một góc vát đứng 0° của lưỡi cửa.

Kiểm tra (xem Hình I1)

- Chỉnh thước đo góc đến 90° và đặt nó lên bàn cửa (4).

Chân thước đo góc phải nằm ngang bằng với lưỡi cửa (28) dọc theo toàn bộ chiều dài.

Điều chỉnh (xem Hình I2)

- Hãy nhả vít (64). Do đó, cỡ chặn 0° (24) có thể bị dịch chuyển.
- Nới lỏng cần khóa (16).
- Hãy đẩy nút điều khiển (18) vào cỡ chặn 0°, cho đến khi chân của thước đo góc ngang bằng với lưỡi cửa dọc theo toàn bộ chiều dài.
- Giữ nút điều khiển ở nguyên vị trí này và siết chặt cần khóa (16) lại như trước.
- Siết chặt vít (64) lại.

Nếu chỉ báo góc (59) không nằm thẳng với vạch 0° trên thước (23) sau khi điều chỉnh, hãy nới lỏng vít (65) bằng tuốc nơ vít đầu Phillips thông dụng và căn chỉnh chỉ báo góc dọc theo vạch 0°.

Hãy lặp lại các bước làm việc trên cho góc vát đứng 45° (Nới lỏng vít (66); Dịch chuyển cỡ chặn 45° (22)). Chỉ báo góc (59) không được phép chỉnh lại.

Độ song song của lưỡi cửa với rãnh dẫn hướng của cỡ chặn góc (xem Hình J)

- Đặt máy ở vào tư thế hoạt động.

Kiểm tra

- Hãy đánh dấu rãnh cửa bên trái đầu tiên, mà có thể thấy rõ phía sau trên chi tiết gài bàn, bằng bút chì.
- Chỉnh thước góc đến 90° rồi đặt lên cạnh của rãnh dẫn hướng (5).
- Hãy dịch chuyển chân thước đo góc, đến khi nó chạm vào rãnh cửa đã đánh dấu, và hãy dọc khoảng cách giữa lưỡi cửa và rãnh dẫn hướng.
- Xoay lưỡi cửa, đến khi rãnh đã đánh dấu phía trước ở trên chi tiết gài bàn.
- Di chuyển thước chia độ dọc theo rãnh dẫn hướng đến rãnh cửa được đánh dấu.
- Đo khoảng hở giữa lưỡi cửa và rãnh dẫn hướng lại lần nữa.

Cả hai khoảng hở đo được phải giống như nhau.

Điều chỉnh

- Hãy nới lỏng vít lục giác chìm (67) phía trước bên dưới bàn cửa và vít lục giác chìm (68) phía sau trên bàn cửa bằng chìa vặn lục giác.
- Hãy di chuyển cần chặn lưỡi cửa, cho đến khi nó song song với rãnh dẫn hướng (5).
- Siết chặt vít tất cả vít (67) và (68) lại lần nữa.

Điều chỉnh kim chỉ khoảng hở của bàn cửa (xem hình K)

- Đặt dướng cặp cạnh lên bên phải của lưỡi cửa. Di chuyển thanh cỡ, đến khi đánh dấu trong thấu

kính (62) hiển thị 28 cm trên thước bên dưới.
Đổ cố định hãy ấn tay kẹp (43) xuống dưới.

- Kéo tay kẹp (20) lên trên hoàn toàn và kéo phần mở rộng bàn cửa (10) ra ngoài cho đến cỡ chặn.

Kiểm tra

Kim chỉ khoảng hở (63) phải hiển thị giá trị giống nhau ở thước (2) như đánh dấu trong thấu kính (62) trên thước (1).

Điều chỉnh

- Kéo phần mở rộng bàn cửa (10) ra ngoài đến cỡ chặn.
- Nới lỏng ốc vít (69) bằng tước nơ vít đầu Phillips và căn chỉnh kim chỉ khoảng hở (63) dọc theo dấu 28 cm của thước trên (1).

Điều chỉnh độ song song của thanh cữ (xem hình L)

- Đặt máy ở vào tư thế hoạt động.
- Tháo van một chiều (7) và gấp nắp bảo vệ (6) về phía sau.
- Nới lỏng quai kẹp (43) của thanh cữ và dịch chuyển nó, đến khi chạm vào lưỡi cửa.

Kiểm tra

Thanh cữ (9) phải chạm vào lưỡi cửa trên toàn bộ chiều dài.

Điều chỉnh

- Nới lỏng vít lục giác chìm (70) bằng một chìa vặn lục giác chìm.
- Hãy di chuyển cẩn thận thanh cữ (9), đến khi nó chạm lưỡi cửa trên toàn bộ chiều dài.
- Giữ thanh cữ ở nguyên vị trí này và ấn quai kẹp (43) xuống dưới một lần nữa.
- Siết chặt lại vít lục giác chìm (70).

Điều chỉnh thấu kính của thanh cữ (xem hình L)

- Đặt máy ở vào tư thế hoạt động.
- Tháo van một chiều (7) và gấp nắp bảo vệ (6) về phía sau.
- Hãy dịch chuyển thanh cữ (9) từ bên phải, đến khi chạm vào lưỡi cửa.

Kiểm tra

Đánh dấu thấu kính (62) phải ở trong một vạch có dấu 0 mm của thước đo (1).

Điều chỉnh

- Nới lỏng ốc vít (71) bằng tước nơ vít đầu Phillips và căn chỉnh đánh dấu dọc theo dấu 0 mm.

Cất Giữ và Vận Chuyển

Bảo quản dụng cụ phụ trợ (xem hình M – N)

Với mục đích lưu giữ, một số dụng cụ phụ trợ có thể có thể cài chặt chắc chắn vào dụng cụ điện.

- Hãy nới lỏng thanh cữ phụ (47) khỏi thanh cữ (9).
- Hãy gắn tất cả bộ phận thiết bị lỏng lẻo vào vị trí cất giữ trên vỏ (xem Bảng sau đây).

Hình ảnh	Dụng Cụ Phụ Trợ	Vị Trí Cất Giữ
M	Chìa vận vòng (35)	gắn trong vị trí cất giữ dụng cụ (33)
M	Chìa móc/chìa vận hình đĩa (36)	gắn trong vị trí cất giữ dụng cụ (33)
M	Van một chiều (7)	gắn trong vị trí cất giữ dụng cụ (33)
M	Cỡ chặn góc (3) với thanh biên dạng (50)	đẩy vào các giá đỡ ở Depot (29)
N	Thanh cữ (9) với thanh cữ phụ được lắp (47)	đặt trong vị trí cất giữ dụng cụ (12)
N	Cần đẩy (15)	gắn trong vị trí cất giữ dụng cụ (21)

Bảo Dưỡng và Bảo Quản

Bảo Dưỡng Và Làm Sạch

- ▶ Trước khi tiến hành bất cứ việc gì trên máy, kéo phích cắm điện nguồn ra.

- ▶ Để được an toàn và máy hoạt động đúng chức năng, luôn luôn giữ máy và các khe thông gió được sạch.

Nếu như cần phải thay dây dẫn điện thì công việc này phải do hãng **Bosch**, hay một đại lý được **Bosch** ủy nhiệm thực hiện để tránh gặp sự nguy hiểm do mất an toàn.

Làm Sạch

Làm sạch bụi và dăm sau mỗi lần sử dụng máy bằng cách dùng hơi nén để thổi hay bằng cọ.

Bôi trơn dụng cụ điện

Chất bôi trơn:

Dầu động cơ SAE 10/SAE 20

- Nếu cần bôi trơn máy, đưa dụng cụ điện đến địa điểm đã được chỉ định

để bảo trì.

Một bộ phận dịch vụ khách hàng Bosch được ủy quyền có thể thực hiện công việc này một cách đáng tin và nhanh chóng.

Loại bỏ chất bôi trơn và chất tẩy rửa theo quy định bảo vệ môi trường. Hãy tuân thủ các quy định của pháp luật.

Biện Pháp để làm Giảm TiếngỒn

Các biện pháp về phần nhà sản xuất:

- Khởi động Êm
- Sự chuyển giao máy với lưỡi cửa được cải tiến một cách đặc biệt để làm giảm tiếng ồn

Các biện pháp về phần người sử dụng:

- Lắp ráp có sự dao động ít trên bề mặt làm việc cứng chắc

- Sử dụng lưới cửa có chức năng làm giảm tiếng ồn
- Thường xuyên làm sạch lưới cửa và dụng cụ điện

Phụ kiện

	Mã số máy
Cỡ chặn góc	2 610 015 508
Cần đẩy	1 600 A02 2D7
Lưới cửa gỗ và vật liệu dạng tấm, ván ô và nẹp	Mã số máy
Lưới cửa 254 x 25,4 mm, 40 răng	2 608 640 901
Lưới cửa 254 x 25,4 mm, 60 răng	2 608 640 902

Dịch vụ hỗ trợ khách hàng và tư vấn sử dụng

Bộ phận phục vụ hàng sau khi bán của chúng tôi trả lời các câu hỏi liên quan đến việc bảo dưỡng và sửa chữa các sản phẩm cũng như phụ tùng thay thế của bạn. Sơ đồ mô tả và thông tin về phụ tùng thay thế cũng có thể tra cứu theo dưới đây:

www.bosch-pt.com

Đội ngũ tư vấn sử dụng của Bosch sẽ giúp bạn giải đáp các thắc mắc về sản phẩm và phụ kiện.

Trong tất cả các phản hồi và đơn đặt phụ tùng, xin vui lòng luôn luôn nhập số hàng hóa 10 chữ số theo nhãn của hàng hóa.

Việt Nam

CN CÔNG TY TNHH BOSCH VIỆT NAM TẠI TP.HCM

Tầng 14, Ngôi Nhà Đức, 33 Lê Duẩn
Phường Bến Nghé, Quận 1, Thành Phố Hồ Chí Minh

Tel.: (028) 6258 3690

Fax: (028) 6258 3692 - 6258 3694

Hotline: (028) 6250 8555

Email: tuvankhachhang-pt@vn.bosch.com

www.bosch-pt.com.vn

www.baohanhbosch-pt.com.vn

Xem thêm địa chỉ dịch vụ tại:

www.bosch-pt.com/serviceaddresses

Sự thái độ

Máy, linh kiện và bao bì phải được phân loại để tái chế theo hướng thân thiện với môi trường.



Không được thải bỏ dụng cụ điện vào chung với rác sinh hoạt!

مخصص للاستعمال الخارجي من خطر الصدمات الكهربائية.

◀ **إن لم يكن بالإمكان تجنب تشغيل العدة الكهربائية في الأجواء الرطبة، فاستخدم مفتاح للوقاية من التيار المتخلف.** إن استخدام مفتاح للوقاية من التيار المتخلف يقلل خطر الصدمات الكهربائية.

أمان الأشخاص

◀ **كن يقظا وانتبه إلى ما تفعله واستخدم العدة الكهربائية بتعقل.** لا تستخدم عدة كهربائية عندما تكون متعبا أو عندما تكون تحت تأثير المخدرات أو الكحول أو الأدوية. عدم الانتباه للحظة واحدة عند استخدام العدة الكهربائية قد يؤدي إلى إصابات خطيرة.

◀ **قم لارتداء تجهيزات الحماية الشخصية.** وارتد دائما نظارات واقية. يعد ارتداء تجهيزات الحماية الشخصية، كقناع الوقاية من الغبار وأحذية الأمان الواقية من الانزلاق والخوذ أو واقية الأذنين، حسب ظروف استعمال العدة الكهربائية، من خطر الإصابة بجروح.

◀ **تجنب التشغيل بشكل غير مقصود.** تأكد من كون العدة الكهربائية مطفأة قبل توصيلها بالتيار الكهربائي و/أو بالمركم، وقبل رفعها أو حملها. إن كنت تضع إصبعك على المفتاح أثناء حمل العدة الكهربائية أو إن وصلت الجهاز بالشبكة الكهربائية بينما لامفتاح على وضع التشغيل، قد يؤدي إلى وقوع الحوادث.

◀ **انزع أداة الضبط أو مفتاح الربط قبل تشغيل العدة الكهربائية.** قد تؤدي الأداة أو المفتاح المتواجد في جزء دوار من الجهاز إلى الإصابة بجروح.

◀ **تجنب أوضاع الجسم غير الطبيعية.** قف بأمان وحافظ على توازنك دائما. سيسمح لك ذلك بالتمكك في الجهاز بشكل أفضل في المواقف الغير متوقعة.

◀ **قم بارتداء ثياب مناسبة.** لا ترتد الثياب الفضفاضة أو الحلى. احرص على إبقاء الشعر والملابس بعيدا عن الأجزاء المتحركة. قد تتشابك الثياب الفضفاضة والحلى والشعر الطويل بالأجزاء المتحركة.

◀ **إن جاز تركيب تجهيزات شفط وتجميع الغبار، فتأكد من أنها موصولة وبأنه يتم استخدامها بشكل سليم.** قد يقلل استخدام تجهيزات لشفط الغبار من المخاطر الناتجة عن الغبار.

◀ **لا تستخدم العدة الكهربائية بلا مبالاة وتجاهل قواعد الأمان الخاصة بها نتيجة لتعودك على استخدام العدة الكهربائية وكثرة استخدامها.** فقد يتسبب الاستخدام دون حرص في حدوث إصابة بالغة تحدث في أجزاء من الثانية.

◀ **استخدام العدد الكهربائية والعناية بها لا تفرط بتحميل الجهاز.** استخدم لتفنيذ أشغالك العدة الكهربائية المخصصة لذلك. إنك تعمل بشكل أفضل وأكثر أماناً بواسطة العدة الكهربائية الملائمة في مجال الأداء المذكور.

◀ **لا تستخدم العدة الكهربائية إن كان مفتاح تشغيلها تالف.** العدة الكهربائية التي لم يعد من

عربي

إرشادات الأمان

تحذيرات أمان عامة للعدد الكهربائية

تحذير اطلع على كافة تحذيرات الأمان والتعليمات والصور والمواصفات المرفقة بالعدة الكهربائية. عدم اتباع التعليمات الواردة أدناه قد يؤدي إلى حدوث صدمة كهربائية، إلى نشوب حريق و/أو الإصابة بجروح خطيرة.

احتفظ بجميع الملاحظات التحذيرية والتعليمات للمستقبل.

يقصد بمصطلح «العدة الكهربائية» المستخدم في الملاحظات التحذيرية، العدد الكهربائية الموصولة بالشبكة الكهربائية (بواسطة كابل الشبكة الكهربائية) وأيضاً العدد الكهربائية المزودة بمركم (دون كابل الشبكة الكهربائية).

الأمان بمكان الشغل

◀ **حافظ على نظافة مكان شغلك وإضاءته بشكل جيد.** الفوضى في مكان الشغل ونطاقات العمل غير المضاء قد تؤدي إلى وقوع الحوادث.

◀ **لا تشغل بالعدة الكهربائية في نطاق معرض لخطر الانفجار مثل الأماكن التي تتوفر فيه السوائل أو الغازات أو الأبخرة القابلة للاشتعال.** العدد الكهربائية تولد شرراً قد يتطاير، فيشعل الأبخرة والأبخرة.

◀ **حافظ على بقاء الأطفال وغيرهم من الأشخاص بعيدا عندما تستعمل العدة الكهربائية.** تشتت الانتباه قد يتسبب في فقدان السيطرة على الجهاز.

الأمان الكهربائي

◀ **يجب أن يتلائم قابس العدة الكهربائية مع المقبس.** لا يجوز تغيير القابس بأي حال من الأحوال. لا تستعمل القوايس المهائية مع العدد الكهربائية المؤرزة (ذات طرف أرضي). تخفّض القوايس التي لم يتم تغييرها والمقابس الملائمة من خطر الصدمات الكهربائية.

◀ **تجنب ملامسة جسمك للأسطح المؤرزة كالأنابيب والمبردات والمواقد أو التلجّات.** يزداد خطر الصدمات الكهربائية عندما يكون جسمك مؤرّض أو موصل بالأرضي.

◀ **أبعد العدة الكهربائية عن الأمطار أو الرطوبة.** يزداد خطر الصدمات الكهربائية إن تسرب الماء إلى داخل العدة الكهربائية.

◀ **لا تسئ استعمال الكابل.** لا تستخدم الكابل في حمل العدة الكهربائية أو سحبها أو سحب القابس من المقبس. احرص على إبعاد الكابل عن الحرارة والزيت والحواف الحادة أو الأجزاء المتحركة. تزيد الكابلات التالفة أو المتشابكة من خطر الصدمات الكهربائية.

◀ **عند استخدام العدة الكهربائية خارج المنزل اقتصر على استخدام كابلات التمديد الصالحة للاستعمال الخارجي.** يقلل استعمال كابل تمديد

- و/أو إسفين الشق و/أو جهاز مانع الصدمة الارتدادية. تعمل الواقية وإسفين الشق وجهاز مانع الصدمة الارتدادية على تقليل خطر الإصابة.
- تأكد أن نصل المنشار لا يلامس الواقية أو إسفين الشق أو قطعة العمل وذلك قبل تشغيل المفتاح. التلامس غير المقصود لهذه الأجزاء مع نصل المنشار يمكن أن يتسبب في خطورة كبيرة.
- قم بضبط إسفين الشق كما هو موضح في دليل التعليمات هذا. خطأ المعاذاة والوضعية ومسافات الضبط قد يقلل من فعالية إسفين الشق في تقليل إمكانية الصدمة الارتدادية.
- لكي يعمل إسفين الشق وجهاز مانع الصدمة الارتدادية يجب أن يدخل في قطعة الشغل. يصع إسفين الشق وجهاز مانع الصدمة الارتدادية بلا فعالية عند نشر قطع العمل القصيرة لدرجة لا تسمح بدخول إسفين الشق وجهاز مانع الصدمة الارتدادية فيها. في هذه الظروف لا يمكن لإسفين الشق وجهاز مانع الصدمة الارتدادية منع حدوث صدمة ارتدادية.
- استخدم نصل منشار مناسب لإسفين الشق. لكي يعمل إسفين الشق بشكل سليم يجب أن يوافق قطر نصل المنشار إسفين الشق المناسب، كما يجب أن يكون جسم نصل المنشار أرفع من سمك إسفين الشق، ويجب أن يكون عرض القطع الخاص بنصل المنشار أعرض من سمك إسفين الشق.
- تحذير خطوات القطع**
- ⚠ خطر: لا تضع أصابعك أو يدك بالقرب من نصل المنشار أو على نفس الخط معه.** لحظة واحدة من عدم الانتباه أو عثرة قد توجه اليد إلى نصل المنشار مما يؤدي إلى إصابات خطيرة للأشخاص.
- أدخل قطعة العمل إلى نصل المنشار فقط في عكس اتجاه الدوران. إدخال قطعة العمل في نفس اتجاه دوران نصل المنشار فوق الطاولة قد يتسبب في سحب قطعة العمل ويدك إلى نصل المنشار.
- لا تستخدم مقياس القطع المشطوف في إدخال قطعة العمل عند القطع المضلع، ولا تستخدم الحاجز المتوازي كمصد للطول عند القطع العرضي باستخدام مقياس القطع المشطوف. توجيه قطعة العمل مع الحاجز المتوازي وقياس لقطع المشطوف في نفس الوقت يزيد احتمالية انحصار نصل المنشار أو حدوث صدمة ارتدادية.
- عند القطع المضلع وجه قوة إدخال قطعة العمل بين الحاجز ونصل المنشار. استخدم عصا ضاغطة عندما تكون المسافة بين الحاجز ونصل المنشار أقل من 150 مم، واستخدم كتلة ضاغطة عندما تكون المسافة أقل من 50 مم. «التجهيزات المساعدة على العمل» ستجعل يدك على مسافة آمنة من نصل المنشار.
- اقتصر على استخدام العصا الضاغطة التي وفرتها الجهة الصانعة أو المصممة بشكل مطابق لتعليماتها. تتبع هذه العصا الضاغطة مسافة كافية بين اليد ونصل المنشار.

- الممكن التحكم بها عن طريق مفتاح التشغيل والإطفاء تعتبر خطيرة ويجب أن يتم إصلاحها.
- اسحب القاس من المقبس و/أو اخلع المركب، إذا كان قابلاً للخلع، قبل ضبط الجهاز وقبل استبدال الملحقات أو قبل تخزين الجهاز. تمنع هذه الإجراءات وقائية تشغيل العدة الكهربائية بشكل غير مقصود.
- احتفظ بالعدد الكهربائية التي لا يتم استخدامها بعيداً عن متناول الأطفال. لا تسمح باستخدام العدة الكهربائية لمن لا خبرة له بها أو لمن لم يقرأ تلك التعليمات. العدد الكهربائية خطيرة إن تم استخدامها من قبل أشخاص دون خبرة.
- اعتن بالعدة الكهربائية والملحقات بشكل جيد. تأكد أن أجزاء الجهاز المتحركة مركبة بشكل سليم وغير مستعصية عن الحركة، وتفحص ما إن كانت هناك أجزاء مكسورة أو في حالة تؤثر على سلامة أداء العدة الكهربائية. ينبغي إصلاح هذه الأجزاء التالفة قبل إعادة تشغيل الجهاز. الكثير من الموادث مصدرها العدد الكهربائية التي تتم صيانتها بشكل رديء.
- احرص على إبقاء عدد القطع نظيفة وحادة. إن عدد القطع ذات حواف القطع الحادة التي تم صيانتها بعناية تتكلم بشكل أقل ويمكن توجيهها بشكل أيسر.
- استخدم العدد الكهربائية والتوايح وربش الشغل إلخ. وفقاً لهذه التعليمات. تراعى أثناء ذلك ظروف الشغل والعمل المراد تنفيذه. استخدام العدد الكهربائية لغير الأشغال المخصصة لأجلها قد يؤدي إلى حدوث الحالات الخطيرة.
- احرص على إبقاء المقابض وأسطح المسك جافة ونظيفة وخالية من الزيوت والشحوم. المقابض وأسطح المسك الزلقة لا تتبع التشغيل والتحكم الآمن في العدة في المواقف غير المتوقعة.
- الخدمة**
- احرص على إصلاح عدتك الكهربائية فقط بواسطة العمال المتخصصين وباستعمال قطع الغيار الأصلية فقط. يضمن ذلك المحافظة على أمان الجهاز.
- تعليمات الأمان لمناشير الطاولة**
- التحذيرات المتعلقة بالحماية**
- احتفظ بالواقيات في مكانها. يجب أن تكون الواقيات مرتبة بنظام العمل ومركبة بطريقة صحيحة. يجب إصلاح الواقية إذا كانت سائبة أو بها أضرار أو لا تعمل بشكل صحيح أو يجب تغييرها.
- احرص دائماً على استخدام واقية لنصل المنشار وإسفين شق وجهاز مانع للصدمة الارتدادية عند إجراء عمليات قطع خلال الأجزاء. في عمليات القطع خلال الأجزاء، حيث يقوم نصل المنشار بالقطع خلال سمك قطعة العمل، تعمل الواقية أو أي تجهيزة أمان أخرى على تقليل خطر الإصابة.
- يجب إعادة تركيب نظام الحماية بعد انتهاء الأعمال (مثل التفريز) التي تتطلب فك الواقية

- ◀ اندفاع قطعة العمل بسرعة كبيرة في اتجاه أي شخص يقف أمام نصل المنشار أو على خط واحد معه.
- ◀ لا تمد يدك أبداً فوق نصل المنشار أو خلفه لجذب قطعة العمل أو سندها. فقد يحدث تلامس غير مقصود مع نصل المنشار أو قد تتسبب الصدمة الارتدادية في سحب أصابعك إلى نصل المنشار.
- ◀ لا تمسك قطعة العمل الجاري قطعها أو تضغط عليها في اتجاه نصل المنشار الدائر. ضغط قطعة العمل الجاري قطعها على نصل المنشار قد يجعل الظروف مهيأة للانحصار والصدمة الارتدادية.
- ◀ قم بمحاذاة الحاجز حتى يصبح موازياً لنصل المنشار. عدم محاذاة الحاجز سيتسبب في انحصار قطعة العمل في نصل المنشار مما يؤدي إلى حدوث صدمة ارتدادية.
- ◀ استخدم مشط ضاغط لتوجيه قطعة العمل إلى الطاولة والحاجز عند عمل قطع غير نافذة مثل التفريز. يعمل المشط الضاغط على التحكم في قطعة العمل في حالة حدوث صدمة ارتدادية.
- ◀ احرص على سند الألواح الكبيرة لتقليل مخاطر تعثر نصل المنشار والصدمة الارتدادية. تميل الألواح الكبيرة للهبوط نتيجة لوزنها الكبير. يجب وضع سنادة (سنادات) أسفل أجزاء اللوح البارز من سطح الطاولة.
- ◀ تصرف بحرص شديد عن القيام بقطع قطعة عمل ملتوية أو معقودة أو منحنية أو حافتها ليست مستقيمة فلا يمكن توجيهها باستخدام مقياس القطع المشطوف أو الحاجز المتوازي. قطعة العمل الملتوية أو المعقودة أو المنحنية تكون غير مستقرة وقد تتسبب في عدم محاذاة الشق مع نصل المنشار، وفي الانحصار والصدمة الارتدادية.
- ◀ لا تقم أبداً بقطع أكثر من قطعة عمل واحدة سواء كانت متراصة أفقياً أو رأسياً. فقد ينشك نصل المنشار في قطعة أو أكثر ويتسبب في صدمة ارتدادية.
- ◀ في حالة إعادة تشغيل المنشار بينما نصل المنشار داخل قطعة العمل احرص على مركزة غير داخلية في الخامة. في حالة تعرض النصل للإعاقة فقد يرفع قطعة العمل ويسبب صدمة ارتدادية عند إعادة تشغيل النصل.
- ◀ حافظ على نظافة وحدة أنصال المنشار، وعلى ضبطها بشكل كافٍ. لا تستخدم أبداً أنصال منشار منحنية أو أنصال منشار بأسنان مشقوقة أو مكسورة. أنصال المنشار المادة والمضبوطة بشكل صحيح تقلل فرص التعثر والتوقف والتعرض لصدمة ارتدادية.
- تحذيرات خطوات تشغيل منشار الطاولة
- ◀ أوقف منشار الطاولة وافصل كابل الكهرباء عند خلع وليجة الطاولة أو تغيير نصل المنشار أو إجراء عمليات ضبط على إسفين الشق أو واقية نصل المنشار أو عند ترك الماكينة دون مراقبة. ستجنبك الإجراءات الوقائية خطر وقوع حوادث.
- ◀ لا تقم أبداً باستخدام عصا ضاغطة بها أضرار أو كسور. فقد تنكسر العصا الضاغطة إن كان بها أضرار مما قد يؤدي إلى انزلاق يدك إلى نصل المنشار.
- ◀ لا تقم بأي عمل «باليد الحرة». احرص دائماً على استخدام حاجز متوازي أو مقياس قطع مشطوف لوضع قطعة العمل وتوجيهها. «اليد الحرة» تعني استخدام يدك في سيد قطعة العمل وتوجيهها بدلاً من الحاجز المتوازي أو مقياس القطع المشطوف. النشر باليد الحرة يؤدي إلى الخطأ في المحاذاة وإلى الانحصار وإلى الصدمة الارتدادية.
- ◀ لا تمد يدك أبداً فوق نصل المنشار أو حوله أثناء دورانه. قد يؤدي مد يدك لأخذ قطعة العمل إلى التلامس غير المقصود مع نصل المنشار المتحرك.
- ◀ احرص على توفير دعامة إضافية لقطعة العمل بالجزء الخلفي و/أو جوانب طاولة النشر لقطع العمل الطويلة و/أو العريضة لتظل في نفس المستوى. تميل قطع العمل الطويلة/أو العريضة لأن ترتكز على حافة الطاولة مما يسبب فقدان التحكم أو انحصار نصل المنشار أو الصدمة الارتدادية.
- ◀ أدخل قطعة العمل بسرعة منتظمة. لا تقم بثني أو إدارة قطعة العمل. في حالة حدوث انحصار أوقف الأداة على الفور واسحب قابس الأداة، ثم قم بإزالة سبب الانحصار. انحصار نصل المنشار بسبب قطعة العمل يمكن أن يتسبب في صدمة ارتدادية أو توقف المحرك.
- ◀ لا تبعد أجزاء الخامة التي يتم قطعها بينما المنشار يعمل. فقد تنحصر الخامة بين الحاجز أو واقية نصل المنشار من الداخل ونصل المنشار مما يتسبب في جذب أصابعك نحو نصل المنشار. أوقف المنشار وانتظر حتى يتوقف نصل المنشار قبل تحريك الخامة.
- ◀ استخدم حاجز إضافي بالارتباط مع سطح الطاولة عند القطع المضلع لقطع عمل بسلك أقل من 2 مم. فقطعة العمل السمكة قد تنحسر أسفل الحاجز المتوازي وتتسبب في صدمة ارتدادية.
- أسباب الصدمة الارتدادية والتحذيرات المتعلقة بها
- الصدمة الارتدادية هي رد فعل مفاجئ لقطعة العمل نتيجة لتعثر أو انحصار نصل المنشار أو محاذاة خط القطع بشكل خاطئ بالنسبة لنصل المنشار أو عندما ينحصر جزء من قطعة الشغل بين نصل المنشار والحاجز المتوازي أو أجسام ثابتة أخرى.
- يحدث كثيراً أثناء الصدمة الارتدادية أن يتم رفع قطعة العمل من الطاولة من خلال الجزء الخلفي لنصل المنشار وتندفع في اتجاه المشغل.
- تعتبر الصدمة الارتدادية نتيجة للاستخدام الخاطئ للمنشار و/أو لخطوات تشغيل غير صحيحة أو لظروف غير ملائمة، ويمكن تجنبها عن طريق أخذ الاحتياطات المناسبة المبينة أدناه.
- ◀ لا تقف أبداً على نفس خط نصل المنشار. اجعل جسمك دائماً في نفس جانب الحاجز بالنسبة لنصل المنشار. قد تتسبب الصدمة الارتدادية في

- ◀ حافظ على نظافة مكان العمل. كما أن اختلاط المواد بعضها ببعض أمر خطير جداً. حيث يمكن أن يشتعل غبار المعدن الخفيف أو ينفجر.
- ◀ اختر نصل المنشار المناسب للخامة التي تريد معالجتها.
- ◀ استعمل فقط أنصال المنشار التي ينصح باستعمالها منتج هذه العدة الكهربائية والتي تصلح للاستعمال مع خامات الشغل المرغوب معالجتها.
- ◀ ادفع قطعة الشغل على نصل المنشار الدائر. وإلا فقد يتشكل خطر صدمة ارتدادية إن تكلب نصل المنشار في قطعة الشغل.

الرموز

قد تكون الرموز التالية ذات أهمية من أجل استعمال عدتك الكهربائية. يرجى حفظ الرموز ومعناها. يساعدك تفسير الرموز بشكل صحيح على استعمال عدتك الكهربائية بطريقة أفضل وأكثر أماناً.

الرموز ومعناها

لا تقترب بيديك من نطاق النشر أثناء عمل العدة الكهربائية. قد تحدث إصابات عند ملامسة شفرة المنشار.



قم بارتداء نظارات واقية.



قم بارتداء واقية سمع. قد يؤدي تأثير الضجيج إلى فقدان قدرة السمع.

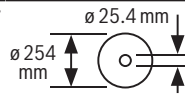


قم بارتداء قناع للوقاية من الغبار.



تراعي مقاسات شفرة المنشار. يجب أن يتلامس قطر الثقب مع محور دوران العدة دون وجود نسبة تفاوت. إذا كان من الضروري استخدام قطع التصغير احرص على أن تلائم أبعاد قطعة التصغير سمك الشفرة الفولاذية و قطر الثقب الخاص بشفرة المنشار بالإضافة لقطر محور دوران العدة. استخدم قدر الإمكان قطع التصغير الموردة مع شفرة المنشار.

يجب أن يطابق قطر شفرة المنشار الرقم الموجود على الرمز.



◀ لا تترك أبداً منشار الطاولة يعمل دون مراقبة. أوقفه ولا تترك الأداة أبداً إلا بعد أن تتوقف تماماً. المنشار المشغل دون مراقبة يمثل خطراً خارج عن السيطرة.

◀ ضع منشار الطاولة في مكان مستو وجيد الإضاءة، بحيث يتم ضمان وجود قاعدة متزنة. يجب أن يتم نصب المنشار في مكان مساحته كافية للتعامل مع مقاسات قطع العمل الخاصة بك. تتسبب المساحات الضيقة والمظلمة ذات الأرضيات الزلقة وغير المستوية في وقوع الحوادث.

◀ احرص على تنظيف منشار الطاولة و/أو جهاز جمع الغبار وإزالة غبار النشر من أسفلهما بشكل دوري. غبار النشر المتراكم قابل للاحتراق وقد يشتعل ذاتياً.

◀ يجب تأمين منشار الطاولة. منشار الطاولة غير المؤمن بشكل مناسب قد يتحرك أو ينقلب.

◀ قم بإزالة الأدوات ونشارة الخشب وما شابه من الطاولة قبل تشغيل منشار الطاولة. يمكن أن يتسبب الانحراف عن المسار أو الانحصار المحتمل في خطورة.

◀ احرص دائماً على استخدام أنصال ذات شكل ومقاس صحيحين (ماسي مقابل مستدير) للتجاويف الوسطى. أنصال المنشار غير المناسبة لأجزاء تركيب المنشار ستدور بشكل حائد عن المركز مما يتسبب في فقدان التحكم.

◀ لا تستخدم أبداً وسائل تركيب أنصال منشار بها أضرار أو غير صحيحة مثل الفلانشات أو وردات نصل المنشار أو البراغي أو الصواميل. وسائل التركيب هذه مصممة خصيصاً لمنشارك لتشغيله بشكل آمن ولتحقيق أداء مثالي.

◀ لا تقف أبداً على منشار الطاولة ولا تستخدمه أبداً كدرجة صعود. قد تحدث إصابات خطيرة في حالة انقلاب الأداة أو إذا تم لمس أداة القطع بشكل غير مقصود.

◀ تأكد أن نصل المنشار مركب ليدور في الاتجاه الصحيح. لا تستخدم أقراص الملح أو الفرشات السلكنية أو الأقراص الكاشطة على منشار الطاولة. قد يتسبب التركيب غير الصحيح لنصل المنشار أو استخدام ملحقات غير موصى بها في حدوث إصابات بالغة.

إرشادات الأمان الإضافية

◀ ارتد قفازات واقية عند تركيب نصل المنشار. خطر التعرض للإصابة.

◀ لا تستخدم نصال المنشار المصنوعة من الفولاذ HSS. فنصال المنشار هذه قد تنكسر بسهولة.

◀ استخدم فقط أنصال المنشار التي توافق البيانات المذكورة في دليل الاستعمال هذا وعلى العدة الكهربائية، والتي تم اختبارها حسب المواصفة EN 847-1 والتي تم وضع علامة عليها تشير إلى ذلك.

◀ لا تستخدم العدة الكهربائية أبداً دون وليجة الطاولة. استبدل الوليجة التالفة للطاولة. قد تصاب بجروح من قبل نصل المنشار إن كانت وليجة الطاولة غير سليمة.

الاستعمال المطابق للتعليمات

لقد خصصت العدة الكهربائية كجهاز مركزي ثابت لتنفيذ القطوع الطولية والعرضية بمسار قطع مستقيم في الخشب الصلب والطري وأيضاً في ألواح الخشب المضغوط وألياف الخشب. حيث يمكن تنفيذ زوايا شطب أفقية من -30° حتى $+30^{\circ}$ وزوايا شطب رأسية من 0° حتى 45° .
عند استخدام شفرات المنشار الملائمة يمكن نشر مقاطع الألمنيوم واللدائن.

الأجزاء المصورة

- بشبر ترقيم الأجزاء المصورة إلى رسوم العدة الكهربائية الموجودة في صفحة الرسوم التخطيطية.
- (1) تدريع لبعد شفرة المنشار عن مصد التوازي
 - (2) تدريع لبعد شفرة المنشار عن مصد التوازي عندما تكون قاعدة المنشار مفتوحة ومسحوبة
 - (3) المصد الزاوي
 - (4) قاعدة المنشار
 - (5) حز دليلي للمصد الزاوي
 - (6) غطاء الحماية
 - (7) قفل الصدمات الارتدادية
 - (8) وليجة المنضدة
 - (9) مصد التوازي
 - (10) تعريض قاعدة المنشار
 - (11) تجاوز المسك
 - (12) موضع حفظ مصد التوازي
 - (13) واقية الانقلاب
 - (14) القاعدة السفلية
 - (15) عصا دفع
 - (16) ذراع تثبيت لضبط زوايا الشطب الرأسية
 - (17) مرفق تدوير لرفع شفرة المنشار وتنزيلها
 - (18) طارة يدوية
 - (19) غطاء أمان قلاب لمفتاح التشغيل والإطفاء
 - (20) مقبض شد تعريض قاعدة المنشار
 - (21) موضع حفظ عصا الدفع
 - (22) مصد زاوية الشطب المائلة 45° (رأسي)
 - (23) تدريع زوايا الشطب (رأسي)
 - (24) مصد زاوية الشطب المائلة 0° (رأسي)
 - (25) زر التشغيل
 - (26) زر إعادة التشغيل
 - (27) إسفين الشق
 - (28) شفرة المنشار
 - (29) موضع حفظ المصد الزاوي
 - (30) حامل الكابل
 - (31) تجاوز التركيب على القاعدة السفلية
 - (32) تجاوز التركيب
 - (33) موضع حفظ العدة/قفل الصدمات الارتدادية
 - (34) مهايئ الشفط

الرموز ومعناها

a $^{\circ}$ يجب ألا يتجاوز قطر شفرة المنشار 254 مم.

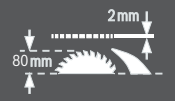
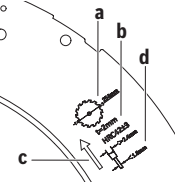
b يبلغ سمك إسفين الشق 2 مم.

c يجب أن يتوافق سهم اتجاه الأسنان (اتجاه السهم موضع على شفرة المنشار) مع اتجاه السهم على إسفين الشق.

d يراعى أثناء تغيير شفرة المنشار ألا يكون عرض القطع أصغر من 2,4 مم وألا يكون سمك النصل الفولاذي أكبر من 1,8 مم. وإلا فقد ينشأ خطر تكلب إسفين الشق في قطعة الشغل.

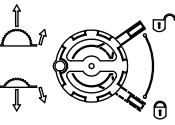
يبلغ سمك إسفين الشق 2 مم.

يبلغ أقصى ارتفاع ممكن لقطعة الشغل 80 مم.



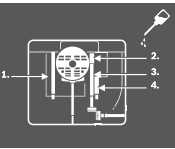
الجانب الأيسر:

يشير إلى اتجاه دوران ذراع التدوير لإنزال شفرة المنشار (وضع النقل) ورفعها (وضع العمل).



الجانب الأيمن:

يشير إلى وضع ذراع التثبيت لتثبيت شفرة المنشار وعند ضبط زاوية الشطب العمودية (شفرة المنشار قابلة للتأرجح).



زيت العدة الكهربائية عند الضرورة بالأماكن المشار إليها.

العدد الكهربائية من فئة الحماية II مقواة أو معزولة عزلاً مزدوجاً.

من خلال العلامة CE تؤكد الجهة الصانعة أن العدة الكهربائية مطابقة لمواصفات الاتحاد الأوروبي.



وصف المنتج والأداء

اقرأ جميع إرشادات الأمان والتعليمات. ارتكاب الأخطاء عند تطبيق إرشادات الأمان والتعليمات، قد يؤدي إلى حدوث صدمات كهربائية أو إلى نشوب الحرائق و/أو الإصابة بجروح خطيرة.



يرجى الرجوع إلى الصور الموجودة في الجزء الأول من دليل التشغيل.

- (35) المفتاح الحلقي (10 مم، 13 مم)
 (36) مفتاح خطافي/مفتاح هلال (10 مم)
 (37) طقم تثبيت «القاعدة السفلية»
 (38) طقم تثبيت «واقية الانقلاب»
 (39) طقم تثبيت «العدة الكهربائية»
 (40) خابور إسفين الشق
 (41) تجاويف وليجة المنضدة
 (42) الزر الانضغاطي لقفل الصدمات الارتدادية
 (43) مقبض قمط مصد التوازي
 (44) دليل بشكل V بمصد التوازي
 (45) حز دليلي بشكل V بقاعدة المنشار لمصد التوازي
 (46) حز دليلي لمصد التوازي
 (47) مصد توازي إضافي
 (48) طقم تثبيت «مصد التوازي الإضافي»
 (49) سكة توجيه المصد الزاوي
 (50) سكة مجسمة
 (51) الصامولة المجنحة الخاصة بالسكة المجسمة
 (52) الغطاء السفلي لشفرة المنشار
 (53) لولب تثبيت الغطاء السفلي لشفرة المنشار
- (54) ثقب مسك وليجة المنضدة
 (55) شفة الشد
 (56) لولب سداسي الرأس لشفرة المنشار
 (57) فلكة
 (58) شفة التثبيت
 (59) مؤشر الزاوية (الرأسية)
 (60) مقبض تثبيت لزوايا الشطب المرغوبة (أفقياً)
 (61) مؤشر الزاوية على المصد الزاوي
 (62) عدسة مكبرة
 (63) مؤشر بعد قاعدة المنشار
 (64) لولب متصالب الحز لضبط المصد 0°
 (65) لولب مؤشر الزاوية (رأسياً)
 (66) لولب متصالب الحز لضبط المصد 45°
 (67) لولب سداسية الرأس (5 مم) أماماً لضبط توازي شفرة المنشار
 (68) لولب سداسية الرأس (5 مم) خلفاً لضبط توازي شفرة المنشار
 (69) لولب لمؤشر بعد قاعدة المنشار
 (70) لولب سداسية الرأس (5 مم) لضبط توازي مصد التوازي
 (71) لولب لمؤشر بعد مصد التوازي

البيانات الفنية

منشار منضدة دائري		رقم الصنف	
GTS 254	GTS 254		
3 601 M45 0C0	3 601 M45 080 3 601 M45 0L0 3 601 M45 0K0 3 601 M45 0F0		
1800	1800	واط	قدرة الدخل الاسمية
3800	4300	دقيقة ¹	عدد اللفات اللاملي
●	●		محدد تيار بدء التشغيل
24,4	24,4	كجم	الوزن حسب EPTA-Procedure 01:2014
/ II □	/ II □		فئة الحماية
الأبعاد (شاملة عناصر الجهاز القابلة للفك)			
1000 x 620 x 690	1000 x 620 x 690	مم	العرض x العمق x الارتفاع
مقاسات شفرات المنشار الملائمة			
254	254	مم	قطر شفرة المنشار
1,8 >	1,8 >	مم	سمك الشفرة
2,4 <	2,4 <	مم	سمك/تفليح الأسنان الأدنى
25,4	25,4	مم	قطر الفجوة

أقصى مقاسات قطعة الشغل: (انظر „أقصى مقاسات قطعة الشغل“، الصفحة 121)
 تسري البيانات على جهد اسمي [U] يبلغ 230 فولت. قد تختلف تلك البيانات حسب اختلاف الجهد والطرزات الخاصة بكل دولة.

مجموعة التجهيزات الموردة

- تأكد قبل تشغيل العدة الكهربائية للمرة الأولى، إنه قد تم توريد جميع الأجزاء المذكورة أدناه:
- منشار منضدة دائري مع شفرة منشار مركبة (28)
 - طقم تثبيت «العدة الكهربائي» (39) (8 لولب تثبيت، 8 فلكات)

التركيب

- ◀ تجنب تشغيل العدة الكهربائية بشكل غير مقصود. لا يجوز أن يكون كابل الشبكة الكهربائية موصولاً بالأمداد بالكهرباء أثناء التركيب وأثناء إجراء مجمل الأعمال على العدة الكهربائية.

تركيب الأجزاء المفردة

- انزع جميع الأجزاء المرفقة عن التغليف بحرص.
- انزع كل مواد التغليف عن العدة الكهربائية وعن التوابع المرفقة.
- احرص على نزع مواد التغليف تمت كتلة المحرك. توجد عناصر الجهاز التالية مثبتة على جسم الجهاز مباشرة: قفل الصدمات الارتدادية (7)، مفتاح حلقي (35)، مفتاح خطافي/مفتاح هلالي (36)، المصد الزاوي (3)، مصد التوازي (9)، مصد توازي إضافي (47) مع طقم التثبيت (48)، الغطاء الواقي (6)، عصا الدفع (15)، شفرة المنشار (28).

- عندما تحتاج أحد هذه العناصر أخرجها بحرص من موضع حفظها.

تركيب إسفين الشق (انظر الصور c)

- إرشاد:** قم بتنظيف جميع الأجزاء المطلوب تركيبها قبل تحديد موضعها عند الضرورة.
- قم بإزالة وليجة المنضدة عند اللزوم (8).
- أدر ذراع التدوير (17) في اتجاه حركة عقارب الساعة حتى النهاية، بحيث ترتكز شفرة المنشار (28) بأعلى وضعية ممكنة فوق قاعدة المنشار.
- قم بفك الغابور (40) باستخدام مفتاح حلقي (35).
- قم بتركيب إسفين الشق (27) وحركه إلى أسفل إلى حد المصادمة.
- احكم ربط الغابور (40) مرة أخرى باستخدام المفتاح الحلقي (35).
- قم بتركيب وليجة المنضدة (8).

تركيب وليجة المنضدة (انظر الصورة d)

- قم بشبك وليجة المنضدة (8) في التجاويف الخلفية (41) بعلبة العدة.
- حرك وليجة المنضدة إلى أسفل.
- اضغط على وليجة المنضدة إلى أن تثبت في علبة العدة أماما.

تركيب قفل الصدمات الارتدادية (انظر الصورة e)

- في حالة حدوث صدمة ارتدادية يعيق قفل الصدمات الارتدادية (7) أن يتم قذف قطعة الشغل نحو المستخدم. حيث تنغرس السنون الماددة للدايبس في سطح قطعة الشغل وتثبتها.
- اضغط الزر الانضغاطي (42) لقفل الصدمات الارتدادية (7) للداخل.
- وبذلك يتم سحب المسمار الدليلي.
- حرك قفل الصدمات الارتدادية (7) فوق إسفين الشق (27) واترك الزر الانضغاطي (42).
- حرك قفل الصدمات الارتدادية في اتجاه غطاء الحماية إلى أن يتعشق المسمار الدليلي في التجويف الخلفي العلوي بإسفين الشق.
- تأكد أن المسمار الدليلي متصل بثبات بالتجويف. وأن قفل الصدمات الارتدادية يعمل بلا مشاكل. ارفع دبايبس قفل الصدمات الارتدادية بحرص. عند تركها يجب أن تتحرك السنون المحملة نابضياً إلى أسفل وأن تلامس وليجة المنضدة.

تركيب مصد التوازي (انظر الصورة f)

- يمكن تركيب مصد التوازي (9) إما على يمين أو يسار شفرة المنشار.

- القاعدة السفلية (14)
- طقم تثبيت «القاعدة السفلية» (37) (16 لولب تثبيت، 16 فلكة، 16 حلقة تأمين، 16 صامولة)
- واقيه الانقلاب (13)
- طقم تثبيت «واقية الانقلاب» (38) (4 لولب تثبيت، 8 فلكات، 4 حلقات تأمين، 4 صواميل)
- المصد الزاوي (3)
- سكة مجسمة (50)
- الصامولة المجنحة «للسكة المجسمة» (51)
- مصد التوازي (9)
- مصد توازي إضافي (47)
- طقم تثبيت «مصد التوازي الإضافي» (48) (لولب تثبيت، صامولتان مجنحتان)
- إسفين الشق (27) مع غطاء الحماية المركب (6)
- قفل الصدمات الارتدادية (7)
- المفتاح الحلقي (35)
- مفتاح خطافي/مفتاح هلالي (36)
- عصا الدفع (15)
- وليجة المنضدة (8)

ملاحظة افحص العدة الكهربائية من حيث وجود أي أضرار محتملة.

- يجب فحص تجهيزات الوقاية أو الأجزاء التي تعرضت لضرب طفيف فحوصاً دقيقاً، للتأكد من أدائها لوظيفتها بشكل سليم وفقاً للتعليمات. تأكد من أن الأجزاء المتحركة تعمل بشكل سليم وأنها غير منقطة، أو إن كانت هناك أية أجزاء تالفة، يجب أن تكون جميع الأجزاء مركبة بشكل صحيح وأن تلبى جميع الشروط من أجل ضمان العمل بشكل سليم.
- يجب أن يتم تصليح أو استبدال تجهيزات الوقاية والقطع التالفة بالشكل المطلوب من خلال ورشة خدمة متخصصة.

التركيب المركزي الثابت أو المتحرك

- ◀ يجب أن يتم تركيب العدة الكهربائية على سطح عمل مستو وثابت (منضدة عمل مثلاً) قبل البدء بالعمل لضمان الاستعمال الآمن.

التركيب باستخدام القاعدة السفلية وواقية الانقلاب (انظر الصور a1-a3)

- لتركيب طقم التثبيت استخدم «القاعدة السفلية» (37)، و «واقية الانقلاب» (38) و «العدة الكهربائية» (39)
- اربط القاعدة السفلية (14) مع بعضها. اربط اللولب بإحكام.
- اربط واقية الانقلاب (13) في القاعدة السفلية.
- ضع العدة الكهربائية على القاعدة السفلية بحيث تشير واقية الانقلاب إلى الخلف.
- قم بمركزة العدة الكهربائية على القاعدة السفلية. تُستخدم لهذا الغرض الفجوات الجانبية (31) بالعدة الكهربائية بالإضافة لتجاويف القاعدة السفلية.

التركيب دون القاعدة السفلية (انظر الصورة b)

- ثبت العدة الكهربائية على سطح العمل بواسطة لولب ربط مناسبة. يتم ذلك عن طريق الثقوب (32).

- قم بفك مقبض الشد (43) الخاص بمصد التوازي (9). يخفف ذلك التحميل عن الدليل بشكل V (44).
- قم أولاً بتركيب مصد التوازي مع الدليل بشكل V في الحز الدليلي (45) بقاعدة المنشار. ركز مصد التوازي بعد ذلك في الحز الدليلي الأمامي (46) بقاعدة المنشار.
- يمكنك الآن تحريك مصد التوازي كما تشاء.
- لتثبيت مصد التوازي اضغط مقبض القمط (43) نحو الأسفل.
- تركيب مصد التوازي الإضافي (انظر الصورة g)**
- لنشر قطع الشغل الرفيعة ولنشر زوايا شطب رأسية** ينبغي تركيب مصد التوازي الإضافي (47) على مصد التوازي (9).
- يمكن تركيب مصد التوازي الإضافي حسب الحاجة على يمين أو يسار مصد التوازي (9).
- للتركيب استخدم طقم التثبيت «مصد التوازي الإضافي» (48) (لولبي تثبيت، صامولتين مجنمتين).
- ادفع لولب التثبيت عبر الثقوب الجانبية بمصد التوازي (9).
- تعمل رؤوس اللولب بذلك عمل الدليل لمصد التوازي الإضافي.
- ادفع مصد التوازي الإضافي (47) فوق رؤوس لولب التثبيت.
- أحكم ربط اللولب بمساعدة الصواميل المجنحة.
- تركيب المصد الزاوي (انظر الصورة h1 - h2)**
- أدخل القضيب (49) الخاص بالمصد الزاوي (3) في أحد الحزوز الدليلية المخصصة (5) بقاعدة المنشار.
- يمكن تعريض مصد التوازي بواسطة السكة المجسمة (50) لتحسين ارتكاز قطع الشغل الطويلة.
- عند اللزوم قم بتركيب السكة المجسمة بالاستعانة بالصواميل المجنحة (51) على المصد الزاوي.
- شفط الغبار/النشارة**
- إن غبار بعض المواد كالطلاء الذي يحتوي على الرصاص، وبعض أنواع الخشب والفلزات والمعادن، قد تكون مضرّة بالصحة. إن ملامسة أو استنشاق غبار قد يؤدي إلى أعراض حساسية و/أو إلى أمراض الجهاز التنفسي لدى المستخدم أو لدى الأشخاص المتواجدين على مقربة من المكان.
- تعتبر بعض الأغبرة المعينة، كأغبرة البلوط والزان، مسببة للسرطان، ولا سيما عند الارتباط بالمواد الإضافية لمعالجة الخشب (ملع جامض الكروميك، المواد الحافظة للخشب). يجوز أن يتم معالجة المواد التي تحتوي على الأسبستوس من قبل العمال المتخصصين فقط دون غيرهم.
- استخدم شفاطة غبار ملائمة للمادة قدر الإمكان.
- حافظ على تهوية مكان الشغل بشكل جيد.
- ينصح بارتداء قناع وقاية للتنفس بفتة المرشح P2.
- تراعى الأحكام السارية في بلدكم بالنسبة للمواد المرغوب معالجتها.
- قد تستعصي شفاطة الغبار/النشارة من خلال الغبار أو النشارة أو أجزاء صغيرة من قطعة الشغل.
- اطفئ العدة الكهربائية واسحب قابس الشبكة الكهربائية من المقبس.
- انتظر إلى أن تتوقف شفرة المنشار عن الحركة تماماً.
- ابحث عن سبب الاستعصاء واعمل على إزالته.
- ◀ **تجنب تراكم الغبار بمكان العمل.** يجوز أن تشتعل الأغبرة بسهولة.
- ◀ **لتجنب خطر الحريق أثناء نشر الألومنيوم قم بتفريغ مقذف النشارة ولا تستخدم شافطة للبرادة.**
- تفريغ مقذف النشارة (انظر الصورة i)**
- لإزالة أجزاء مكسورة عن قطعة الشغل وقطع النشارة الكبيرة يمكنك فتح الغطاء السفلي لشفرة المنشار (52).
- أطفئ العدة الكهربائية واسحب قابس الشبكة الكهربائية من المقبس.
- انتظر إلى أن تتوقف شفرة المنشار عن الحركة تماماً.
- اقلب العدة الكهربائية على الجانب.
- قم بحل لولب التثبيت (53) وافتح الغطاء السفلي لشفرة المنشار (52).
- أزل شظايا ونشارة قطعة الشغل.
- أغلق الغطاء السفلي لشفرة المنشار واربطه باللولب.
- اضبط العدة الكهربائية بوضعية الشغل.
- الشفط الخارجي (انظر الصورة j)**
- قم بتركيب خرطوم شفاطة مناسب بإحكام في مهأب الشفط (34).
- يجب أن تصلع شفاطة الغبار الخوائية للاستعمال مع مادة الشغل المرغوب معالجتها.
- استخدم شفاطة غبار خوائية خاصة عند شفط الأغبرة المضرة بالصحة أو المسببة للسرطان أو الشديدة الجفاف.
- تغيير شفرة المنشار (انظر الصور k1-k4)**
- ◀ **اسحب القابس من مقبس الشبكة الكهربائية قبل إجراء أي عمل على العدة الكهربائية.**
- ◀ **ارتد قفازات واقية عند تركيب نصل المنشار.** خطر التعرض للإصابة.
- ◀ **استخدم فقط نصال المنشار التي تزيد سرعتها القصوى المسموحة عن عدد الدوران اللاحملي بالعدة الكهربائية.**
- ◀ **استخدم فقط أنصال المنشار التي توافق البيانات المذكورة في دليل الاستعمال هذا وعلى العدة الكهربائية، والتي تم اختبارها حسب المواصفة EN 847-1 والتي تم وضع علامة عليها تشير إلى ذلك.**
- ◀ **استعمل فقط شفرات المنشار التي ينصح باستعمالها منتج هذه العدة الكهربائية والتي تصلح للاستعمال مع مواد الشغل المرغوب معالجتها.** وبذلك تتجنب سخونة المفردة لرؤوس أسنان المنشار، وانصهار قطعة البلاستيك المراد معالجتها.
- ◀ **لا تستخدم نصال المنشار المصنوعة من الفولاذ HSS.** فتنصال المنشار هذه قد تنكسر بسهولة.

- أدر ذراع التدوير (17) في اتجاه عقارب الساعة إلى أن تصعب السنون العلوية لشفرة المنشار (28) فوق قطعة الشغل بمسافة 3 - 6 مم تقريبا.

ضبط زوايا الشطب المائل العمودية والأفقية

ينبغي أن يتم فحص الضبط الأساسي بالعدة الكهربائية بعد الاستعمال المكثف وإعادة ضبطها عند الضرورة للمحافظة على دقة القص.

ضبط زوايا الشطب العمودية (شفرة المنشار) (انظر الصورة A)

يمكن ضبط زاوية الشطب المائلة العمودية في نطاق يتراوح بين 0° و 45°.

- قم بخل ذراع التثبيت (16) بإدارته عكس اتجاه حركة عقارب الساعة.

ملحوظة: عند حل ذراع التثبيت بشكل كامل، فإن شفرة المنشار ستقلب من جراء قوة الجاذبية إلى وضعية تعادل 30° تقريبا.

- اسحب أو اضغط البطارية اليدوية (18) على مسار قالب الإزلاق إلى أن يشير المؤشر الزاوي (59) إلى زاوية الشطب العمودية المرغوبة.

- حافظ على إبقاء البطارية اليدوية بهذا الوضع وأحكام شد ذراع التثبيت (16) مرة أخرى.

للضبط السريع والدقيق للزوايا العمودية النموذجية 0° و 45° هناك مصدات مضبوطة من قبل المصنع (24)، (22) مخصصة لذلك.

ضبط زاوية الشطب المائل الأفقية (المصد الزاوي) (انظر الصورة B)

يمكن ضبط زاوية الشطب المائل الأفقية في نطاق يبلغ 30° (ناحية اليسار) حتى 30° (ناحية اليمين).

- قم بفك مقبض التثبيت (60) في حالة ربطه.
- أدر المصد الزاوي إلى أن يشير المؤشر الزاوي (61) إلى زاوية الشطب المرغوبة.
- قم بشد مقبض التثبيت (60) مرة أخرى.

تكبير قاعدة المنشار

يجب أن تسند قطع الشغل الطويلة والثقيلة من طرف نهايتها السائبة أو أن تضع شيئا ما تحتها.

تعريض قاعدة المنشار (انظر الصورة C)

يتبع تعريض قاعدة المنشار (10) تعريض قاعدة النشر (4) إلى اليمين بحد أقصى 950 مم.

- اجذب مقبض الشد (20) إلى أعلى تماما لإطالة قاعدة المنشار.
- قم بسحب امتداد قاعدة المنشار (10) إلى الخارج لحين الوصول للطول المرغوب.
- اضغط مقبض الشد (20) إلى أسفل. يكون قد تم تثبيت امتداد قاعدة المنشار بذلك.

ضبط مصدر التوازي

يمكن تركيز مصدر التوازي (9) إما على يمين أو يسار شفرة المنشار. تبين العلامة في العدسة المكبرة (62) المسافة المضبوطة بين مصدر التوازي وشفرة المنشار على التدرج (1).

ضع مصدر التوازي على جانب شفرة المنشار المرغوب

فك شفرة المنشار

- أدر ذراع التدوير (17) في اتجاه حركة عقارب الساعة حتى النهاية، بحيث تركز شفرة المنشار (28) بأعلى وضعية ممكنة فوق قاعدة المنشار.

- قم بطي غطاء الحماية (6) إلى الخلف.

- ارفع وليجة المنضدة (8) من ثقب المسك (54) وأخرجها من علبة العدة.

- قم بفك اللوالب سداسي الرأس (56) باستخدام مفتاح حلقي (35) بإدارته عكس اتجاه عقارب الساعة بينما تمسك باستخدام مفتاح خطافي (36) بشفة الشد (55).

- اخلع الفلكة (57) وشفة الشد (55).

- أخرج شفرة المنشار (28).

تركيب شفرة المنشار

نظف جميع الأجزاء المطلوب تركيبها قبل التركيب عند الضرورة.

- ضع شفرة المنشار الجديدة على فلانشة التثبيت (58) الخاصة بسمور دوران العدة.

ملحوظة: لا تستخدم شفرات منشار شديدة الصغر. لا يجوز أن تتخطى المسافة نصف القطرية بين شفرة المنشار وإسفين الشق 3 - 8 مم.

يراعى أثناء التركيب أن يتوافق اتجاه قص الأسنان (اتجاه السهم على شفرة المنشار) مع اتجاه السهم على غطاء الحماية!

- قم بتركيب شفة الشد (55) والفلكة (57) واللولب سداسي الرأس (56).

- أحكم ربط اللولب سداسي الرأس (56) باستخدام المفتاح الحلقي (35) بإدارته في اتجاه عقارب الساعة بينما تمسك باستخدام مفتاح خطافي (36) بشفة الشد.

- قم بتركيب وليجة المنضدة (8) مرة أخرى.

- قم بطي غطاء الحماية (6) إلى الأمام.

التشغيل

◀ اسحب القابض من مقبس الشبكة الكهربائية قبل إجراء أي عمل على العدة الكهربائية.

وضع النقل ووضع العمل لشفرة المنشار

وضع النقل

- أخرج غطاء الحماية (6) وقيم بإزالة وليجة المنضدة (8) وضع إسفين الشق (27) في أدنى وضع. قم بتركيب وليجة المنضدة (8) مرة أخرى.

- أدر ذراع التدوير (17) في عكس اتجاه حركة عقارب الساعة إلى أن توجد أسنان شفرة المنشار (28) أسفل قاعدة المنشار (4).

- حرك تعريض قاعدة المنشار (10) نحو الداخل بشكل كامل.

- اضغط مقبض الشد (20) إلى أسفل. يكون قد تم تثبيت امتداد قاعدة المنشار بذلك.

وضع العمل

- ضع إسفين الشق (27) في أعلى وضع فوق منتصف شفرة المنشار تماما، وقيم بتركيب وليجة المنضدة (8) وغطاء الحماية (6).

- اضغط على مفتاح التشغيل الأخضر لبدء التشغيل (25).

- دع غطاء الأمان (19) يسقط إلى أسفل مرة أخرى.
الإطفاء (انظر الصورة F2)
- اضغط على غطاء الأمان القلاب (19).

واقية فرط التحميل

العدة الكهربائية مجهزة بواقية فرط تحميل. في الاستعمال المطابق للتعليمات لا يمكن تعريض العدة الكهربائية للتحميل الزائد. في حالة التحميل الزائد يتم فصل العدة الكهربائية من قبل وحدة التحكم الإلكتروني.

قم بتنفيذ الخطوات التالية لإعادة تشغيل العدة الكهربائية بعد:

- دع العدة الكهربائية تبرد لمدة 10 دقائق على الأقل.
- اضغط على زر إعادة التشغيل (26) ثم قم بإعادة تشغيل العدة الكهربائية.

انقطاع التيار الكهربائي

مفتاح التشغيل والإطفاء هو عبارة عن مفتاح لافلطة، وهو يمنع إعادة إدارة العدة الكهربائية من تلقاء نفسها بعد انقطاع التيار الكهربائي (سحب كابل الشبكة الكهربائية أثناء التشغيل مثلا).
لتشغيل العدة الكهربائية بعد ذلك مجددا، يجب الضغط على زر التشغيل الأخضر (25).

إرشادات العمل

ملاحظات نشر عامة

◀ يجب أن تتأكد قبل إجراء أي عملية قطع بالأ تلامس شفرة المنشار أي مصدر أو دليل أو أي جزء آخر من الجهاز في أي لحظة.

◀ لا تستخدم العدة الكهربائية لعمل الحزوز أو الطيات إلا مع تجهيزات الحماية الملائمة (مثل: غطاء نفق الوقاية، مشط القمط).

◀ لا تستخدم العدة الكهربائية لعمل شق (في التجويف المنتهي داخل قطعة الشغل).

احم نصل المنشار من الصدمات والطرقات. لا تعرض نصل المنشار لضغط جانبي.

يجب أن يركز إسفين الشق على خط مسار شفرة المنشار من أجل تجنب انقماما قطعة الشغل.

لا تعالج قطع الشغل الملتوية. يجب دائما أن تكون حافة قطعة الشغل مستقيمة لكي يتم تركيزها على مصدر التوازي.

احتفظ بعضا الدفع دائما على العدة الكهربائية.

موقع المستخدم (انظر الصورة G)

◀ لا تقف أبدا على نفس خط نصل المنشار. اجعل جسمك دائما في نفس جانب الحاجز بالنسبة لنصل المنشار. قد تتسبب الصدمة الارتدادية في اندفاع قطعة العمل بسرعة كبيرة في اتجاه أي شخص يقف أمام نصل المنشار أو على خط واحد معه.

- أبعد اليدين والأصابع والذراعين عن شفرة المنشار الدوار.

(انظر «تركيب مصدر التوازي (انظر الصورة f)»، الصفحة 117).

ضبط مصدر التوازي عندما لا تكون قاعدة المنشار مفتوحة ومسحوبة

- قم بفك مقبض الشد (43) الخاص بمصدر التوازي (9). حرك مصدر التوازي، إلى أن تشير العلامة بالعدسة المكبرة (62) إلى المسافة المرغوبة حتى شفرة المنشار.

عندما تكون منضدة العمل غير مفتوحة تسري الكتابة على التدريج (1).

- اضغط مقبض الشد (43) نحو الأسفل مرة أخرى من أجل التثبيت.

ضبط مصدر التوازي عندما تكون قاعدة المنشار مفتوحة ومسحوبة (انظر الصورة D)

- ركز مصدر التوازي على يمين شفرة المنشار.

حرك مصدر التوازي، إلى أن تشير العلامة بالعدسة المكبرة (62) إلى التدريج (1) 28 سم.

اضغط مقبض الشد (43) نحو الأسفل مرة أخرى من أجل التثبيت.

- اجذب مقبض الشد (20) إلى أعلى تماما لإطالة قاعدة المنشار.

- قم بسحب تعريض قاعدة المنشار (10) إلى الخارج إلى أن يشير مبرين البعد (63) على التدريج إلى البعد المرغوب عن شفرة المنشار (2).

- اضغط مقبض الشد (20) إلى أسفل.
يكون قد تم تثبيت تعريض قاعدة المنشار بذلك.

ضبط مصدر التوازي الإضافي (انظر الصورة E)

لنشر قطع الشغل الرفيعة ولنشر زوايا شطب رأسية ينبغي تركيب مصدر التوازي الإضافي (47) على مصدر التوازي (9).

يمكن تركيب مصدر التوازي الإضافي حسب الحاجة على يمين أو يسار مصدر التوازي (9).

قد تنحصر قطع الشغل أثناء النشر بين مصدر التوازي وشفرة المنشار، حيث تشبك فيها ويتم وقذفها من قبل شفرة المنشار أثناء حركة صعودها.

لتجنب ذلك ينبغي أن يضبط مصدر التوازي الإضافي بحيث تنتهي نهاية دليله بالمجال الكائن بين السن الأمامي لشفرة المنشار والحافة الأمامية لإسفين الشق.

- للقيام بذلك قم بمل كافة الصواميل المجنحة بطقم التثبيت (48) وحرك مصدر التوازي الإضافي بشكل مناسب.

- أعد إحكام شد الصواميل المجنحة.

التشغيل

◀ انتبه إلى جهد الشبكة الكهربائية! يجب أن يتطابق جهد منبع التيار مع البيانات المذكورة على لوحة صنع العدة الكهربائية.

التشغيل (انظر الصورة F1)

- اقلب غطاء الأمان القلاب (19) نحو الأعلى.

- تراعي أثناء ذلك الملاحظات التالية:
- امسك بقطعة الشغل بواسطة اليدين الاثنتين بأمان واضغطها بإحكام على منضدة الشغل.
 - للعمل على قطع الشغل الرفيعة وعند نشر زاوية شطب رأسية احرص دائما على استخدام عصا الدفع المورد (15) ومصد التوازي الإضافي (47).

أقصى مقاسات قطعة الشغل

زاوية شطب عمودية	أقصى ارتفاع لقطعة الشغل [مم]
0°	80
45°	55

النشر

نشر القطوع المستقيمة

- قم بضبط مصد التوازي (9) على عرض القطع المرغوب.
- ضع قطعة الشغل على قاعدة المنشار أمام غطاء الحماية (6).
- قم برفع شفرة المنشار أو خفضها عن طريق ذراع التدوير (17) إلى أن تصبغ السنون العلوية لشفرة المنشار (28) فوق قطعة الشغل بمسافة 3 - 6 مم تقريبا.
- قم بتشغيل العدة الكهربائية.
- انشر قطعة الشغل بشكل كامل بدفع أمامي منتظم.
- في حالة الضغط بشكل زائد فقد تتعرض رؤوس شفرات المنشار للسخونة الزائدة، وتتعرض قطعة الشغل لأضرار.
- أطفئ العدة الكهربائية، وانتظر إلى أن تتوقف شفرة المنشار عن الحركة تماما.

نشر زوايا الشطب المائلة العمودية

- اضبط زاوية الشطب المائلة الرأسية المرغوبة لشفرة المنشار.
- في حالة ميل شفرة المنشار إلى الجانب الأيسر يجب أن يكون مصد التوازي (9) على يمين شفرة المنشار.
- اتبع خطوات العمل وفقا لما ورد في: (انظر „نشر القطوع المستقيمة“، الصفحة 121)

نشر زاوية الشطب المائل الأفقية (انظر الصورة H)

- اضبط زاوية الشطب المائلة الأفقية المرغوبة بالمصد الزاوي (3).
- ضع قطعة الشغل على السكة المجسمة (50). يجب ألا يسمع بوجود القطع في خط القطع. في هذه الحالة، قم بفك الصواميل المجنحة (51) وحرك السكة المجسمة.
- قم برفع شفرة المنشار أو خفضها عن طريق ذراع التدوير (17) إلى أن تصبغ السنون العلوية لشفرة المنشار (28) فوق قطعة الشغل بمسافة 3 - 6 مم تقريبا.
- قم بتشغيل العدة الكهربائية.
- قم بضغط قطعة الشغل بيد واحدة على السكة المجسمة (50) و قم بتحريك المصد الزاوي

- باستخدام اليد الأخرى من مقبض التثبيت (60) ببطء، في الحز الدليلي (3) إلى الأمام.
- أطفئ العدة الكهربائية، وانتظر إلى أن تتوقف شفرة المنشار عن الحركة تماما.

فحص الضبط الأساسي وضبطه

- ينبغي أن يتم فحص الضبط الأساسي بالعدة الكهربائية بعد الاستعمال المكثف وإعادة ضبطها عند الضرورة للمحافظة على دقة القص.
- إنك بحاجة إلى الخبرة وللعهد الخاصة الموافقة لتنفيذ ذلك.
- ينفذ مركز خدمة عملاء بوش هذا العمل بشكل سريع وموثوق به.

ضبط المصادمين لزوايا الشطب العمودية المائلة النموذجية 45°/0°

- اضبط العدة الكهربائية بوضعية الشغل.
- اضبط زاوية شطب مائلة عمودية لنصل المنشار مقدارها 0°.
- **الفحص (انظر الصورة 11)**
- قم بضبط مقياس الزاوية على 90° وضعه على قاعدة المنشار (4).
- يجب أن يتراصف ساق مقياس الزاوية بكامل طوله مع شفرة المنشار (28).

الضبط (انظر الصورة 12)

- قم بحل اللولب (64). بذلك يمكن تحريك مصد زاوية 0° (24).
- قم بفك ذراع التثبيت (16).
- حرك الطارة اليدوية (18) نحو مصد زاوية 0° إلى أن تتساطع ساق المقياس الزاوي مع نصل المنشار على كامل طوله.
- حافظ على إبقاء الطارة اليدوية بهذا الوضع وأحكام شد ذراع التثبيت (16) مرة أخرى.
- أحكم ربط اللولب (64).
- إن لم يكن مبين الزاوية (59) بعد الضبط على خط مسار واحد مع علامات 0° على التدرج (23)، قم بفك اللولب (65) باستخدام أحد مفكات البراغي متصالية الحز المتداولة في الأسواق و قم بمحاذاة خط المنتصف لمؤشر الزاوية على امتداد العلامة 0°.
- كرر خطوات العمل الموصوفة أعلاه بالنسبة لزاوية الشطب العمودية 45° (حل اللولب (66)، وإزاحة مصد زاوية 45° (22)). لا يجوز تعديل ضبط مبين الزاوية (59) مرة أخرى في هذه الأثناء.

توازي نصل المنشار بالنسبة للحزوز الدليلية بالمصادم الزاوي (انظر الصورة J)

- اضبط العدة الكهربائية بوضعية الشغل.
- **الفحص**
- علم سن النشر اليساري الأول المرئي في الخلف فوق وليجة المنضدة بواسطة قلم رصاص.
- اضبط مقياس زاوي ضابط على 90° وضعه على حافة الحز الدليلي (5).
- قم بإزاحة ساق المقياس الزاوي الضابط إلى أن تلامس سن النشر التي تم تعليمها، واقرا البعد بين نصل المنشار والحز الدليلي.
- دور نصل المنشار إلى أن يبرز السن الذي تم تعليمه عن وليجة المنضدة من الأمام.

- قم بتحرك مصد التوازي (9) من اليمين إلى أن يلامس شفرة المنشار.

الفحص

يجب أن تقع علامة العدسة المكبرة (62) على نفس خط مسار علامة 0-مم بالتدريج (1).

الضبط

- قم بحل اللولب (71) بواسطة مفك براغي متصالبة الحز و قم بتسوية العلامة على طول علامة 0 مم.

التخزين والنقل

حفظ عناصر الجهاز (انظر الصور M - N)

توفر لك العدة الكهربائية إمكانية تثبيت عناصر معينة من الجهاز بشكل آمن.

- قم بفك مصد التوازي الإضافي (47) من مصد التوازي (9).

- قم بإدخال جميع أجزاء الجهاز في مواضع الحفظ على جسم الجهاز (انظر الجدول التالي).

صو رة	عصر الجهاز	موضع الحفظ
M	المفتاح الملقى (35)	أدخله في موضع حفظ العدة (33)
M	مفتاح خطافي/ مفتاح هلال (36)	أدخله في موضع حفظ العدة (33)
M	قفل الصدمات الارتدادية (7)	أدخله في موضع حفظ العدة (33)
M	المصد الزاوي (3) مع القضيب المجسم (50)	ادفعه إلى داخل الحوامل بموضع الحفظ (29)
N	مصد التوازي (9) مع مصد توازي إضافي مركب (47)	ضعه في موضع حفظ العدة (12)
N	عصا الدفع (15)	أدخله في موضع حفظ العدة (21)

الصيانة والخدمة

الصيانة والتنظيف

◀ اسحب القابس من مقبس الشبكة الكهربائية قبل إجراء أي عمل على العدة الكهربائية.

◀ للعمل بشكل جيد وآمن حافظ دائماً على نظافة العدة الكهربائية وفتحات التهوية.

إذا تطلب الأمر استبدال خط الإمداد، فينبغي أن يتم ذلك من قبل شركة Bosch أو من قبل مركز خدمة الزبائن المعتمد لشركة Bosch للعدد الكهربائية، لتجنب التعرض للمخاطر.

التنظيف

أزل الغبار والنشارة بعد كل خطوة عمل من خلال نفخها بالهواء المضغوط أو بواسطة فرشاة.

- قم بإزاحة المقياس الزاوي الضابط على خط مسار الحز الدليلي إلى حد سن النشر الذي تم تعليمه.

- قم بقياس البعد بين نصل المنشار والحز الدليلي مرة أخرى.

يجب أن يتطابق البعدان للذان تم قياسهما.

الضبط

- قم بفك اللوالب سداسية الرأس (67) في الأمام على قاعدة المنشار واللوالب سداسية الرأس (68) بالخلف على قاعدة المنشار باستخدام المفتاح سداسي الرأس المجوف.

- حرك شفرة المنشار بحذر إلى أن تتوازي مع الحز الدليلي (5).

- أحكم ربط كافة اللوالب (67) و (68) مرة أخرى.

ضبط مؤشر البعد بقاعدة المنشار (انظر الصورة K)

- ركز مصد التوازي على يمين نصل المنشار.

- حرك مصد التوازي، إلى أن تشير العلامة بالعدسة المكبرة (62) إلى التدريج السفلي 28 سم.

- للتثبيت اضغط مقبض الشد (43) نحو الأسفل مرة أخرى.

- اجذب مقبض الشد (20) إلى أعلى تماماً، واجذب امتداد قاعدة المنشار (10) إلى الخارج حتى المصد.

الفحص

يجب أن يشير مبيّن البعد (63) بالتدريج (2) إلى نفس القيمة التي تشير إليها العلامة بالعدسة المكبرة (62) على التدريج (1).

الضبط

- اجذب امتداد قاعدة المنشار (10) إلى الخارج حتى المصد.

- قم بحل اللولب (69) بواسطة مفك براغي متصالبة الحز و قم بتسوية مبيّن البعد (63) على مسار علامة 28 سم بالتدريج العلوي (1).

ضبط توازي مصد التوازي (انظر الصورة L)

- اضبط العدة الكهربائية بوضعية الشغل.

- قم بخلع قفل الصدمات الارتدادية (7) وطي غطاء الحماية (6) إلى الخلف.

- قم بفك مقبض الشد (43) الخاص بمصد التوازي وحركه إلى أن يلامس شفرة المنشار.

الفحص

يجب أن يلامس مصد التوازي (9) شفرة المنشار بطولها الكامل.

الضبط

- قم بحل اللوالب سداسية الرأس (70) باستخدام مفتاح سداسي الرأس المجوف.

- حرك مصد التوازي (9) بحرص إلى أن يلامس شفرة المنشار بطولها الكامل.

- ثبت مصد التوازي في هذا الوضع واضغط مقبض الشد (43) مرة أخرى إلى أسفل.

- أحكم ربط اللوالب سداسية الرأس (70) مرة أخرى.

ضبط العدسة المبكرة بمصد التوازي (انظر الصورة L)

(الصورة L)

- اضبط العدة الكهربائية بوضعية الشغل.

- قم بخلع قفل الصدمات الارتدادية (7) وطي غطاء الحماية (6) إلى الخلف.

التخلص من العدة الكهربائية

ينبغي تسليم العدد الكهربائية والتوابع والعبوة إلى مركز معالجة النفايات بطريقة محافظة على البيئة. لا ترم العدد الكهربائية ضمن النفايات المنزلية.



تشحيم العدة الكهربائية

مادة التشحيم:

زيت المحرك SAE 10/SAE 20

- زيت العدة الكهربائية عند الضرورة بالأماكن المشار إليها.



ينفذ مركز خدمة عملاء وكالة بوش هذه الأعمال بشكل سريع وموثوق.

تخلص من مواد التشحيم والتنظيف بطريقة محافظة على البيئة. تُراعى التعليمات القانونية.

إجراءات لتخفيض الضجيج

إجراءات من طرف المنتج:

- البدء بإدارة هادئة
- التسليم مع نصل منشار تم تطويره بشكل خاص لتخفيض الضجيج
- إجراءات من طرف المستخدم:
- التركيب بطريقة قليلة الاهتزازات على سطح عمل ثابت
- استخدام نصال المنشار ذات الوظائف المخفضة للضجيج
- تنظيف نصل المنشار والعدة الكهربائية بشكل منتظم

التوابع

رقم الصنف	المصد الزاوي
2 610 015 508	عصا دفع
1 600 A02 2D7	شفرات المنشار للخشب والمواد الصفيحية والألواح والعوارض
2 608 640 901	شفرة المنشار 254 x 25,4 مم، 40 سن
2 608 640 902	شفرة المنشار 254 x 25,4 مم، 60 سن

خدمة العملاء واستشارات الاستخدام

يجيب مركز خدمة العملاء على الأسئلة المتعلقة بإصلاح المنتج وصيانته، بالإضافة لقطع الغيار. تجد الرسوم التفصيلية والمعلومات الخاصة بقطع الغيار في الموقع: www.bosch-pt.com

يسر فريق Bosch لاستشارات الاستخدام مساعدتك إذا كان لديك أي استفسارات بخصوص منتجاتنا وملحقاتها.

يلزم ذكر رقم الصنف ذو الفئات العشر وفقا للوحة صنع المنتج عند إرسال أية استفسارات أو طلبات قطع غيار.

المغرب

Robert Bosch Morocco SARL

53، شارع الملازم محمد محروود

20300 الدار البيضاء

الهاتف: +212 5 29 31 43 27

البريد الإلكتروني: sav.outillage@ma.bosch.com

تجد المزيد من عناوين الخدمة تحت:

www.bosch-pt.com/serviceaddresses

فارسی

دستورات ایمنی

هشدارهای ایمنی عمومی برای ابزارهای برقی

هشدار

کلیه هشدارها،

دستورالعملها، تصاویر و

مشخصات ارائه شده به همراه ابزار برقی را

مطالعه کنید. اشتباهات ناشی از عدم رعایت این

دستورات ایمنی ممکن است باعث برق گرفتگی،

سوختگی و یا سایر جراحات های شدید شود.

کلیه هشدارهای ایمنی و راهنماییها را برای

آینده خوب نگهداری کنید.

عبارت «ابزار برقی» در هشدارها به ابزارهایی که به

پریز برق متصل میشوند (با سیم برق) و یا ابزارهای

برقی باتری دار (بدون سیم برق) اشاره دارد.

ایمنی محل کار

محیط کار را تمیز و روشن نگه دارید. محیطهای

در هم ریخته یا تاریک احتمال بروز حادثه را

افزایش میدهند.

ابزار برقی را در محیطهایی که خطر انفجار

وجود دارد و حاوی مایعات، گازها و بخارهای

مخترقه هستند، به کار نگیرید. ابزارهای برقی

چرقههایی ایجاد میکنند که میتوانند باعث آتش

گرفتن گرد و غبارهای موجود در هوا شوند.

هنگام کار با ابزار برقی، کودکان و سایر

افراد را از دستگاه دور نگه دارید. در

صورتیکه حواس شما پرت شود، ممکن است کنترل

دستگاه از دست شما خارج شود.

ایمنی الکتریکی

دوشاخه ابزار برقی باید با پریز برق تناسب

داشته باشد. هیچگونه تغییری در دوشاخه

ایجاد نکنید. مبدل دوشاخه نباید همراه با

ابزار برقی دارای اتصال زمین استفاده شود.

دوشاخههای اصل و تغییر داده نشده و پریزهای

مناسب، خطر برق گرفتگی را کاهش میدهند.

از تماس بدنی با قطعات متصل به سیم

اتصال زمین مانند لوله، شوفاژ، اجاق برقی و

یخچال خودداری کنید. در صورت تماس بدنی با

سطوح و قطعات دارای اتصال به زمین و همچنین

تماس شما با زمین، خطر برق گرفتگی افزایش

می یابد.

ابزارهای برقی را در معرض باران و رطوبت

قرار ندهید. نفوذ آب به ابزار برقی، خطر شوک

الکتریکی را افزایش میدهد.

از سیم دستگاه برای مقاصد دیگر استفاده

نکنید. هرگز برای حمل ابزار برقی، کشیدن آن

یا خارج کردن دوشاخه از سیم دستگاه

استفاده نکنید. کابل دستگاه را از حرارت،

روغن، لبههای تیز یا قطعات متحرک دور نگه

دارید. کابلهای آسیب دیده و یا گره خورده خطر

شوک الکتریکی را افزایش میدهند.

هنگام استفاده از ابزار برقی در محیطهای باز،

تنها از کابل رابطی استفاده کنید که برای

محیط باز نیز مناسب باشد. کابل های رابط مناسب برای محیط باز، خطر برق گرفتگی را کم می کنند.

در صورت لزوم کار با ابزار برقی در محیط و اماکن مرطوب، باید از یک کلید حفاظتی جریان خطا و نشستی زمین (کلید قطع کننده اتصال با زمین) استفاده کنید. استفاده از کلید حفاظتی جریان خطا و نشستی زمین خطر برق گرفتگی را کاهش می دهد.

رعایت ایمنی اشخاص

حواس خود را خوب جمع کنید، به کار خود

دقت کنید و با فک و هوشیاری کامل با ابزار

برقی کار کنید. در صورت خستگی و یا در

صورتی که مواد مخدر، الکل و دارو استفاده

کردهاید، با ابزار برقی کار نکنید. یک لحظه بی

توجهی هنگام کار با ابزار برقی، میتواند جراحات

های شدیدی به همراه داشته باشد.

از تجهیزات ایمنی شخصی استفاده کنید.

همواره از عینک ایمنی استفاده نمایید.

استفاده از تجهیزات ایمنی مانند ماسک ضد گرد و

غبار، کفشهای ایمنی ضد لغزش، کلاه ایمنی و

گوشی محافظ متناسب با نوع کار با ابزار برقی،

خطر مجروح شدن را کاهش میدهد.

مواظب باشید که ابزار برقی بطور ناخواسته

بکار نیفتد. قبل از وارد کردن دوشاخه

دستگاه در پریز برق، اتصال آن به باتری،

برداشتن آن و یا حمل دستگاه، باید دقت

کنید که ابزار برقی خاموش باشد. در صورتی

که هنگام حمل دستگاه انگشت شما روی دکمه

قطع و وصل باشد و یا دستگاه را در حالت روشن

به برق بزنید، ممکن است سوانح کاری پیش آید.

قبل از روشن کردن ابزار برقی، همه ابزارهای

تنظیم کننده و آپارها را از روی دستگاه

بردارید. ابزار و آپارهایی که روی بخش های

چرخنده دستگاه قرار دارند، میتوانند باعث ایجاد

جراحات شوند.

وضعیت بدن شما باید در حالت عادی قرار

داشته باشد. برای کار جای مطمئن برای

خود انتخاب کرده و تعادل خود را همواره

حفظ کنید. به این ترتیب میتوانید ابزار برقی را در

وضعیتهای غیر منظره بهتر تحت کنترل داشته

باشید.

لباس مناسب بپوشید. از پوشیدن لباسهای

گشاد و حمل زینت آلات خودداری کنید.

موها و لباس خود را از بخشهای در حال

چرخش دستگاه دور نگه دارید. لباسهای گشاد،

موی بلند و زینت آلات ممکن است در قسمتهای

در حال چرخش دستگاه گیر کنند.

در صورتی که تجهیزاتی برای اتصال وسائل

مکش گرد و غبار و یا وسیله جمع کننده گرد

و غبار ارائه شده است، باید مطمئن شوید که

این وسائل درست نصب و استفاده

می شوند. استفاده از وسائل مکش گرد و غبار

مصونیت شما را در برابر گرد و غبار زیادتر میکند.

آشنایی با ابزار به دلیل کار کردن زیاد با آن

نباید باعث سهل انگاری شما و نادیده گرفتن

- باشند. حفاظهای شل، آسیب دیده یا بدون کارایی بایستی تعمیر یا تعویض شوند.
- ◀ **همواره برای انجام برش کامل از حفاظ تیغه اره، گوه و دستگاه ضد پسزنی استفاده کنید.** در مورد برشهای کاملی که تیغه اره کاملاً در قطر قطعه کار قرار دارد، حفاظ تیغه اره و سایر موارد حفاظتی، خطر بروز جراحت را کاهش میدهند.
 - ◀ **پس از اتمام عملیاتی (مانند شیرزنی) که نیازمند برداشتن حفاظ تیغه اره، گوه و/یا دستگاه ضد پس زنی است، سیستم حفاظتی را فوراً دوباره نصب کنید.** حفاظ، گوه و دستگاه ضد پس زنی خطر بروز جراحت را کاهش میدهند.
 - ◀ **قبل از روشن کردن ابزار برقی مطمئن شوید که تیغه اره یا گوه، حفاظ تیغه یا قطعه اره، تماسی نداشته باشد.** تماس اشتباهی با این قسمتها ممکن است منجر به بروز وضعیت خطرناکی گردد.
 - ◀ **گوه را مطابق دستورالعملهای این دفترچه راهنما تنظیم کنید.** فاصله اشتباه، نحوه قرارگیری نادرست و عدم هم محوری گوه، میتواند کارایی آن را در جلوگیری از پس زدن دستگاه بی اثر کند.
 - ◀ **برای اینکه گوه و دستگاه ضد پس زنی کار کنند، باید روی قطعه کار قرار گیرند.** اگر قطعه کار به اندازه ای کوتاه باشد که با گوه و دستگاه ضد پس زنی تماس نیابد، این دو هنگام برش تأثیری نخواهند داشت. در این شرایط، گوه نمیتواند مانع پس زدن دستگاه شود.
 - ◀ **از تیغه اره متناسب با گوه استفاده کنید.** جهت کارایی مؤثر گوه، بایستی تیغه اره با گوه مربوط متناسب باشد، پایه تیغه اره بایستی نازک تر از گوه و عرض دندانها بیشتر از قطر گوه باشد.
- دستورات ایمنی برای نحوه اره کاری**
- ◀ **هرگز با انگشت ها و یا دستان خود نزدیک تیغه اره یا ممدوده اره کاری نشوید.** یک لحظه غفلت یا سُر خوردن می تواند دست شما را به طرف تیغه اره براند و منجر به بروز جراحت جدی شود.
 - ◀ **قطعه کار را در خلاف جهت چرخش تیغه اره یا ابزار برش حرکت دهید.** راندن قطعه کار در جهت چرخش تیغه اره بالای میز، می تواند منجر به کشیده شدن قطعه کار و دست شما به طرف تیغه اره شود.
 - ◀ **در مورد برشهای طولی با زاویه برش فارسی هرگز از ریل نگهدارنده جهت راندن قطعه کار استفاده نکنید و در مورد برشهای مورب به کمک ریل نگهدارنده زاویه برش فارسی هرگز از ریل نگهدارنده موازی برای تنظیم طول استفاده نکنید.** راندن همزمان ریل نگهدارنده موازی و ریل نگهدارنده زاویه برش فارسی ممکن است احتمال گیر کردن تیغه اره و پس زدن دستگاه را افزایش دهد.
 - ◀ **در مورد برشهای طولی با زاویه برش فارسی، فشار را روی قطعه کار در قسمت بین ریل نگهدارنده و تیغه اره وارد کنید.** اگر فاصله تیغه اره و ریل نگهدارنده کمتر از 150 میلیمتر
- اصول ایمنی شود.** بی دقتی ممکن است باعث بروز جراحاتی در عرض کسری از ثانیه شود.
- ◀ **استفاده صحیح از ابزار برقی و مراقبت از آن از وارد کردن فشار زیاد روی دستگاه خودداری کنید.** برای هر کاری، از ابزار برقی مناسب با آن استفاده کنید. بکار گرفتن ابزار برقی مناسب باعث میشود که بتوانید از توان دستگاه بهتر و با اطمینان بیشتر استفاده کنید.
 - ◀ **در صورت ایراد در کلید قطع و وصل ابزار برقی، از دستگاه استفاده نکنید.** ابزار برقی که نمی توان آنها را قطع و وصل کرد، خطرناک بوده و باید تعمیر شوند.
 - ◀ **قبل از تنظیم ابزار برقی، تعویض متعلقات و یا کنار گذاشتن آن، دوشاخه را از برق بکشید و یا باتری آنرا خارج کنید.** رعایت این اقدامات پیشگیری ایمنی از راه افتادن ناخواسته ابزار برقی جلوگیری می کند.
 - ◀ **ابزار برقی را در صورت عدم استفاده، از دسترس کودکان دور نگه دارید و اجازة ندهید که افراد ناوارد و یا اشخاصی که این دفترچه راهنما را نخواندهاند، با این دستگاه کار کنند.** قرار گرفتن ابزار برقی در دست افراد ناوارد و بی تجربه خطرناک است.
 - ◀ **از ابزار برقی و متعلقات خوب مراقبت کنید.** مواظب باشید که قسمت های متحرک دستگاه خوب کار کرده و گیر نکند. همچنین دقت کنید که قطعات ابزار برقی شکسته و یا آسیب دیده نباشند. قطعات آسیب دیده را قبل از شروع به کار تعمیر کنید. علت بسیاری از سوانح کاری، عدم مراقبت کامل از ابزارهای برقی می باشد.
 - ◀ **ابزار برش را تیز و تمیز نگه دارید.** ابزار برشی که خوب مراقبت شده و از لبه های تیز برخوردار است، کمتر در قطعه کار گیر کرده و بهتر قابل هدایت است.
 - ◀ **ابزار برقی، متعلقات، متهای دستگاه و غیره را مطابق دستورات این جزوه راهنما به کار گیرید و به شرایط کاری و نوع کار نیز توجه داشته باشید.** استفاده از ابزار برقی برای عملیاتی به جز مقاصد در نظر گرفته شده، میتواند به بروز شرایط خطرناک منجر شود.
 - ◀ **دستها و سطوح عایق را همواره خشک، تمیز و عاری از روغن و گریس نگه دارید.** دسته های لغزنده مانع ایمنی و کنترل در کار در شرایط غیر منتظره هستند.
- سرویس**
- ◀ **برای تعمیر ابزار برقی فقط به متخصصین حرفهای رجوع کنید و از قطعات یدکی اصل استفاده نمایید.** این باعث خواهد شد که ایمنی دستگاه شما تضمین گردد.
- دستورات ایمنی برای ارههای میزی گردرُبر**
- ◀ **دستورات ایمنی مربوط به حفاظها**
 - ◀ **حفاظها را بردارید.** حفاظها بایستی خوب نصب شوند و در وضعیت کارایی صحیحی

پس زدن نتیجه استفاده نادرست از تیغه اره و/یا روشها یا شرایط کاری غیر صحیح است و با رعایت اقدامات ایمنی مناسب به شرح زیر میتوان از آن جلوگیری بعمل آورد.

◀ **هرگز در یک خط مستقیم با تیغه اره نایستید. همیشه در کنار ابزار بایستید، جایی که ریل نگهدارنده هم قرار دارد.** هنگام پس زدن، اجسام ممکن است با سرعت زیاد به طرف کاربر پرتاب شوند که در خط مستقیم با تیغه اره ایستاده اند.

◀ **هرگز از بالا یا عقب تیغه اره، قطعه کار را نکشید یا به آن تکیه نکنید.** ممکن است تماس ناخواسته با تیغه اره برقرار شود یا پس زدن دستگاه منجر به کشیده شدن انگشتان شما به طرف تیغه اره گردد.

◀ **قطعه کار در حال اره شدن را هرگز در مقابل تیغه اره چرخان نگه ندارید یا نفشارید.** فشردن قطعه کار در حال اره شدن به طرف تیغه اره منجر به گیر کردن و پس زدن دستگاه می شود.

◀ **ریل نگهدارنده را به صورت موازی نسبت به تیغه اره بگیرید.** ریل نگهدارنده درست تنظیم نشده، قطعه کار را به طرف تیغه اره فشار می دهد و باعث پس زدن دستگاه می شود.

◀ **برای برشهای بدون دید کافی، مانند شیار زنی، جهت راندن قطعه کار به طرف میز و ریل نگهدارنده از یک شانه فشار استفاده کنید.** توسط یک شانه فشار می توانید قطعه کار را در حین پس زدن بهتر کنترل کنید.

◀ **سطوح و قطعات بزرگ را خوب مهار کنید تا خطر پس زدن و یا گیر کردن تیغه اره کاهش یابد.** قطعات پهن و بزرگ ممکن است تحت تأثیر وزن خود خم شوند. این قطعات پهن بایستی هر جا که از سر میز بیرون زده اند مجهز به تکیه گاه شوند.

◀ **هنگام اره کردن قطعاتی که چرخیده اند، گره خورده اند، کج شده اند یا بدون لبه صاف می باشند که بتوان آنها را از آن لبه به کمک نگهدارنده زاویه برش فارسی یا در امتداد ریل نگهدارنده حرکت داد، بسیار احتیاط کنید.** قطعات کج شده یا گره خورده دارای ثبات نیستند و منجر به بروز خطا در انجام برش صاف با تیغه اره، پس زدن یا گیر کردن می شوند.

◀ **هرگز چند قطعه کار پشت سر هم قرار داده شده را اره نکنید.** تیغه اره ممکن است یک یا چند قطعه را بگیرد و باعث پس زدن شود.

◀ **هنگام روشن کردن مجدد اره در داخل قطعه کار، تیغه اره را در وسط شکاف برش قرار دهید، به طوری که دندانهای تیغه اره در قطعه کار درگیر نشود.** در صورت گیر کردن تیغه اره، ممکن است هنگام روشن کردن مجدد دستگاه، قطعه کار بیرون بیاید یا دستگاه پس بزند.

◀ **تیغه اره ها را تمیز، تیز نگهدارید و به چپ راست بودن دندانه توجه کنید.** هرگز از تیغه اره های کج شده، شکسته یا ترک دار استفاده نکنید. تیغه اره های تیز و دارای

است از یک قطعه چوب و اگر کمتر از 50 میلیمتر است از یک جسم بزرگتر جهت راندن استفاده کنید. وسایل کمکی کار باعث رعایت فاصله ایمنی دست شما نسبت به تیغه اره می شود.

◀ **تنها از قطعه کمکی ارسالی شرکت یا قطعه کمکی متناسب جهت راندن قطع کار استفاده کنید.** این قطعه کمکی فاصله بین دست شما و تیغه اره را تضمین می کند.

◀ **هرگز از قطعه کمکی آسیب دیده یا اره شده جهت راندن قطعات کار استفاده نکنید.** قطعه کمکی آسیب دیده ممکن است بشکند و منجر به هدایت دست شما به طرف تیغه اره گردد.

◀ **هرگز با دست آزاد کار نکنید. همیشه از ریل نگهدارنده موازی یا ریل نگهدارنده زاویه برش فارسی جهت گذاشتن یا راندن قطعه کار استفاده کنید.** دست آزاد یعنی قرار دادن و راندن قطعه کار با دست به جای استفاده از ریل نگهدارنده موازی یا ریل نگهدارنده زاویه برش فارسی. کار با دست آزاد باعث بروز خطا در هدایت متعادل، گیر کردن یا پس زدن دستگاه می شود.

◀ **هرگز بالا یا دور تیغه اره در حال چرخش را نگیرید.** دست زدن به قطعه کار موجب تماس ناخواسته با تیغه اره در حال چرخش می شود.

◀ **قطعه کارهای دراز یا پهن را در انتها با یک تکیه گاه تثبیت کنید تا به حالت افقی باقی بمانند.** قطعه کارهای دراز و پهن در لبه میز کار آویزان می شوند، این باعث از دست دادن کنترل، گیر کردن یا پس زدن دستگاه می شود.

◀ **قطعه کار را به صورت یکنواخت برانید.** قطعه کار را خم نکنید یا نچرخانید. چنانچه ابزار گیر کرد، آن را فوراً خاموش کنید، دوشاخه را بیرون بکشید و علت گیر را رفع کنید. گیر کردن تیغه اره در قطعه کار باعث پس زدن دستگاه یا بلوکه شدن موتور می شود.

◀ **قطعه اره شده را در حین کار موتور بردارید.** قطعه اره شده ممکن است بین تیغه اره و ریل نگهدارنده یا در حفاظ گیر کند و هنگام برداشتن، انگشتان شما را به طرف تیغه اره بکشاند. ابزار را خاموش کنید و قبل از اینکه قطعه کار را بردارید، صبر کنید تا تیغه اره به طور کامل بایستد.

◀ **جهت انجام برش طولی در قطعه کارهای دارای کمتر از قطر 2 میلیمتر از یک ریل نگهدارنده اضافی که با سطح میز تماس دارد، استفاده کنید.** قطعه کارهای نازک تر ممکن است زیر ریل نگهدارنده موازی گیر کنند و باعث پس زدن دستگاه شوند.

پس زدن دستگاه و هشدارهای ایمنی
ضربه زدن یا پس زدن یک واکنش ناگهانی است که در نتیجه گیر کردن و یا بلوکه شدن تیغه اره یا انجام برش با تیغه اره کج در قطعه کار، یا فرار گرفتن قسمتی از قطعه کار بین تیغه اره یا ریل نگهدارنده موازی یا جسم دیگر بلوکه شده رخ می دهد.
هنگام پس زدن در بیشتر موارد، قطعه کار از قسمت عقبی تیغه اره گرفته می شود، از میز بلند و به طرف کاربر پرتاب می شود.

- ◀ از تیغه اره‌های فولادی HSS استفاده نکنید. اینگونه تیغه‌های اره ممکن است سریع بشکنند.
- ◀ فقط از تیغه‌های اره ای استفاده کنید که دارای مشخصات و ارقام فنی مندرج در این دفترچه راهنما باشند و طبق استاندارد EN 847-1 کنترل و آزمایش شده و مطابق آن علامتگذاری شده باشند.
- ◀ هرگز برقی را بدون میز مونتاز بکار نبرید. میز مونتاز آسیب دیده را تعویض کنید. بدون میز مونتاز کاملاً سالم و بدون ایراد، ممکن است تیغه اره به شما آسیب برساند.
- ◀ محل کار را تمیز نگهدارید. ترکیبات مواد بسیار خطرناک هستند. گرد فلز سبک ممکن است آتش بگیرد یا منفجر شود.
- ◀ تیغه اره ای مناسب با قطعه انتخاب کنید.
- ◀ فقط از تیغه‌های اره ای استفاده کنید که توسط سازنده این ابزار برقی توصیه شده است و همچنین برای جنس قطعه کار مورد نظر مناسب باشد.
- ◀ قطع‌هکار را فقط به طرف اره در حال کار برانید. در غیر اینصورت خطر پس زدن وجود دارد، چنانچه تیغه اره در قطعه کار گیر کند.

علائم

علائم و نماد های زیر و معانی آنها میتوانند برای کار و استفاده از ابزار برقی شما پر اهمیت باشند. لطفاً این علائم و مفهوم آنها را خوب بخاطر بسپارید. تفسیر صحیح این علائم به شما کمک میکند که ابزار برقی را بهتر و مطمئن تر مورد استفاده قرار بدهید.

علائم و مفهوم آنها

هنگامی که ابزار برقی در حال کار است، دست‌های خود را در محدوده اره قرار ندهید. در صورت تماس با تیغه اره، خطر آسیب دیدگی وجود دارد.



از عینک ایمنی استفاده کنید.



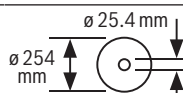
از گوشی ایمنی استفاده کنید. صدای بلند ممکن است به شنوایی شما آسیب برساند.



از ماسک ایمنی تنفس در برابر گرد و غبار استفاده کنید.



به ابعاد تیغه اره توجه کنید. قطر سوراخ باید بدون لقی با محور ابزار مطابق باشد. چنانچه به قطعات تبدیل نیاز است،



دندانه‌های چپ راست، خطر بلوکه شدن و پس زدن را کاهش می‌دهند.

- ◀ دستورات ایمنی برای کار با اره‌های میزی گردبر هنگام جدا کردن ابزار از میز، تعویض تیغه اره، انجام تنظیمات روی گوه، دستگاه ضد پس زنی یا حفاظ تیغه اره و بدون نظارت رها کردن دستگاه، دستگاه را خاموش کنید و دوشاخه را از پریز برق بکشید. اقدامات ایمنی برای جلوگیری از بروز سوانح می‌باشند.
- ◀ هرگز دستگاه را بدون نظارت روشن نگذارید. دستگاه را خاموش کنید و قبل از ایست کامل از دستگاه دور نشوید. دستگاه روشن یک خطر غیر قابل کنترل است.

- ◀ اره میزی گردبر را در جایی قرار دهید که دارای نور کافی است و شما می‌توانید مطمئن بایستید و تعادل داشته باشید. محل قرارگیری بایستی جادار باشد تا بتوان با قطعات بزرگ هم راحت کار کرد. بی‌نظمی، کمبود نور در محوطه کار، سطوح ناصاف و لغزنده، ممکن است منجر به بروز حادثه شوند.
- ◀ تراشه‌ها و خاک اره را از زیر میز اره یا سیستم مکش به طور منظم جمع کنید. خاک اره جمع شده قابل اشتعال است و ممکن است خود به خود آتش بگیرد.

- ◀ اره میزی گردبر را تثبیت کنید. اره میزی گردبری که مطابق دستورالعمل تثبیت نشده باشد ممکن است تکان بخورد یا واژگون شود.
- ◀ قبل از روشن کردن دستگاه، ابزار آلات تنظیم، بقایای چوب و غیره را از روی اره میزی گردبر بردارید. حواس پرتی یا گیر کردن در دستگاه ممکن است خطراتی را ایجاد کند.

- ◀ همواره از تیغه‌های دارای اندازه و سوراخ نگهدارنده مناسب (مثلاً شکل گرد یا لوزی) استفاده کنید. تیغه‌هایی که با قطعه‌های قابل مونتاز اره متناسب نباشند، به صورت غیر مدور حرکت میکنند و باعث از دست دادن کنترل میشوند.

- ◀ هرگز از ابزارهای مونتاز تیغه اره آسیب دیده یا اشتباهی مانند فلائز، واشر تیغه اره، پیچ یا مهره استفاده نکنید. این ابزارهای مونتاز تیغه اره، مخصوص اره شما برای کار امن و بازدهی بالا طراحی شده‌اند.

- ◀ هرگز روی دستگاه نایستید یا از آن به عنوان چهارپایه استفاده نکنید. امکان بروز جراحات جدی وجود دارد، اگر دستگاه واژگون شود یا ناخواسته با تیغه اره تماس برقرار گردد.

- ◀ از نصب بودن تیغه اره در جهت چرخش صحیح مطمئن شوید. از کاغذ سنباده یا برس‌های سیمی همراه اره میزی گردبر استفاده نکنید. عدم نصب تیغه اره مطابق دستورالعمل یا کاربرد متعلقات توصیه نشده ممکن است باعث بروز جراحات جدی گردد.

سایر راهنمایی‌های ایمنی

- ◀ به هنگام مونتاز تیغه اره از دستکش ایمنی استفاده کنید. خطر جراحت وجود دارد.

توضیحات محصول و کارکرد

همه دستورات ایمنی و راهنماییها را بخوانید. اشتباهات ناشی از عدم رعایت این دستورات ایمنی ممکن است باعث برقگرفتگی، سوختگی و یا سایر جراحات های شدید شود.



به تصویرهای واقع در بخشهای اول دفترچه راهنما توجه کنید.

موارد استفاده از دستگاه

این ابزار برقی بعنوان یک دستگاه ثابت، برای انجام برشهای طولی و مورب با مسیر برش مستقیم، در چوب سخت و نرم و همچنین نئوپان و تخته های چندلایه در نظر گرفته شده است. در این حین زاویه مورب افقی از -30° تا $+30^{\circ}$ و نیز زاویه مورب عمودی از 0° تا 45° ممکن می باشند. در صورت استفاده از تیغه اره های مناسب، برش پروفیلهای آلومینیوم و پلاستیک امکان پذیر است.

تصاویر اجزاء دستگاه

شماره های اجزاء دستگاه که در تصویر مشاهده میشود، مربوط به شرح ابزار برقی می باشد که تصویر آن در این دفترچه آمده است.

- (1) درجه بندی برای فاصله تیغه اره تا خط کش راهنمای موازی
- (2) درجه بندی برای فاصله تیغه اره تا خط کش راهنمای موازی در میز اره بسط داده شده
- (3) نقاله
- (4) میز اره
- (5) شیار راهنما برای نقاله
- (6) قاب محافظ
- (7) قفل پس زدن
- (8) صفحه زیر کار (واحد میز)
- (9) خط کش راهنمای موازی
- (10) کشویی بسط میز اره
- (11) محل تو رفتگی جای دست
- (12) محل نگهداری خط کش راهنمای موازی
- (13) محافظ در برابر واژگونی
- (14) پایه زیرین
- (15) پیشران قطعه کار
- (16) اهرم قفل برای تنظیم زاویه مورب عمودی
- (17) میله چرخ دستی برای بالا و پایین آوردن تیغه اره
- (18) چرخ دستی
- (19) درپوش ایمنی کلید روشن/خاموش
- (20) اهرم مهار برای کشویی بسط میز اره
- (21) محل نگهداری پیشران قطعه کار
- (22) نگهدارنده برای زاویه مورب 45° (عمودی)
- (23) درجه بندی برای زاویه مورب (عمودی)
- (24) نگهدارنده برای زاویه مورب 0° (عمودی)
- (25) دکمه روشن کردن

دقت کنید که ابعاد قطعه تبدیل با ضخامت تیغه اره و قطر سوراخ تیغه اره همانند قطر محور ابزار متناسب باشد. در صورت امکان از قطعات تبدیل ارسالی همراه با تیغه اره استفاده کنید.

قطر تیغه اره باید با مقدار ذکر شده روی علامت تطابق داشته باشد.

a قطر تیغه اره نباید از حداکثر 254 mm تجاوز کند.

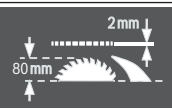
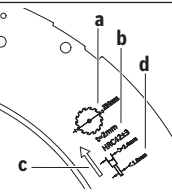
b ضخامت محافظ تیغه 2 mm است.

c جهت برش دندانه ها (فلش روی تیغه اره) باید با فلش روی محافظ تیغه مطابق باشد.

d هنگام تعویض تیغه اره دقت کنید که عرض برش کمتر از $2,4 \text{ mm}$ و ضخامت پایه تیغه اره بیشتر از $1,8 \text{ mm}$ نباشد. در غیر این صورت خطر گیر کردن محافظ تیغه در قطعه کار وجود دارد.

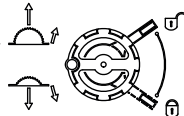
ضخامت محافظ تیغه 2 mm است.

حداکثر ارتفاع قطعه کار 80 mm است.



طرف چپ:

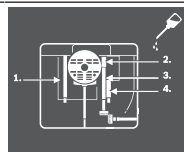
جهت چرخش میله چرخ دستی به پایین (حالت حمل و نقل) و به بالا (حالت کار) تیغه اره را نشان می دهد.



طرف راست:

وضعیت اهرم قفل کننده را برای تثبیت تیغه اره و برای تنظیم زاویه مورب عمودی (تیغه اره قابل چرخش) نشان می دهد.

در صورت نیاز ابزار برقی را در قسمت های نشان داده شده روغن کاری کنید.



ابزارهای برقی کلاس حفاظتی II تقویت شده اند و دو برابر عایق می باشند.



تولید کننده توسط علامت CE مطابقت ابزار برقی را با مقررات معتبر اروپا تأیید می کند.



(49) ریل راهنما برای نقاله	(26) دکمه استارت مجدد
(50) ریل پروفیلی	(27) محافظ تیغه
(51) مهره خروسکی ریل پروفیلی	(28) تیغه اره
(52) پوشش پایینی تیغه اره	(29) محل نگهداری نقاله
(53) پیچ های اتصال پوشش پایینی تیغه اره	(30) نگهدارنده کابل
(54) سوراخ تعبیه شده در واحد میز	(31) سوراخ های نصب روی پایه زیرین
(55) فلنج مهار	(32) سوراخ های نصب
(56) پیچ شش گوش تیغه اره	(33) محل نگهداری ابزار/قفل پس زدن
(57) واشر	(34) آداپتور مکش
(58) فلنج گیرنده	(35) آچار رینگ (10 mm, 13 mm)
(59) نشانگر زاویه (عمودی)	(36) آچار قلاب/آچار تخت (10 mm)
(60) پیچ تثبیت برای زاویه مورب دلخواه (افقی)	(37) مجموعه اتصال "پایه زیرین"
(61) نمایشگر زاویه روی نقاله	(38) مجموعه اتصال "محافظ در برابر واژگونی"
(62) عدسی	(39) مجموعه اتصال "ابزار برقی"
(63) نشانگر فاصله میز اره	(40) پین های محافظ تیغه
(64) پیچ چهارسو برای تنظیم نگهدارنده 0°	(41) شیارهای واحد میز
(65) پیچ نمایشگر زاویه (عمودی)	(42) دکمه فشاری قفل پس زدن
(66) پیچ چهارسو برای تنظیم نگهدارنده 45°	(43) اهرم مهار خط کش راهنمای موازی
(67) پیچ های آلن (5 mm) جلو برای تنظیم موازی بودن تیغه اره	(44) راهنمای V شکل خط کش راهنمای موازی
(68) پیچ های آلن (5 mm) عقب برای تنظیم موازی بودن تیغه اره	(45) شیار راهنمای V شکل روی میز اره برای خط کش راهنمای موازی
(69) پیچ نشانگر فاصله میز اره	(46) شیار راهنما برای خط کش راهنمای موازی
(70) پیچ های آلن (5 mm) جهت تنظیم موازی بودن خط کش راهنمای موازی	(47) کمکی خط کش راهنمای موازی
(71) پیچ نشانگر فاصله خط کش راهنمای موازی	(48) مجموعه اتصال "کمکی خط کش راهنمای موازی"

مشخصات فنی

GTS 254		GTS 254		اره گرد رومیزی
3 601 M45 0C0		3 601 M45 080 3 601 M45 0LO 3 601 M45 0K0 3 601 M45 0F0		شماره فنی
1'800	1'800	W		توان ورودی نامی
3'800	4'300	¹ min		سرعت در حالت آزاد
●	●			محدودیت جریان برق راه اندازی
24,4	24,4	kg		وزن مطابق استاندارد EPTA- Procedure 01:2014
II/□	II/□			کلاس ایمنی
				ابعاد (با احتساب اجزاء جداشدنی دستگاه)
690 x 620 x 1'000	690 x 620 x 1'000	mm		عرض × عمق × ارتفاع
ابعاد تیغه های اره مناسب				
254	254	mm		قطر تیغه اره
< 1,8	< 1,8	mm		ضخامت تیغه اره
> 2,4	> 2,4	mm		حداقل ضخامت/شیب دندانه
25,4	25,4	mm		قطر سوراخ

بیشینه اندازه های قطعه کار (رجوع کنید به «بیشینه اندازه های قطعه کار»، صفحه 134)

مقادیر برای ولتاژ نامی [U] 230 ولت میباشند. برای ولتاژهای مختلف و تولیدات مخصوص کشورها، ممکن است این مقادیر، متفاوت باشند.

نصب

◀ از روشن شدن ناخواسته ابزار برقی جلوگیری بعمل آورید. به هنگام مونتاژ قطعات و در حین انجام هر گونه کاری روی ابزار برقی، دوشاخه اتصال دهنده دستگاه به برق، نباید به جریان برق متصل باشد.

محتویات ارسالی

پیش از اینکه این ابزار برقی را برای اولین بار مورد استفاده قرار دهید، کنترل کنید که آیا قطعات مندرج زیر بطور کامل ارسال شده اند:

- اره گرد رومی میزی با تیغه اره نصب شده (28)
- مجموعه اتصال "ابزار برقی" (39) (8 پیچ اتصال، 8 واشر)
- پایه زیرین (14)

- مجموعه اتصال "پایه زیرین" (37) (16 پیچ اتصال، 16 واشر، 16 رینگ ایمنی، 16 مهره)
- محافظ در برابر واژگونی (13)
- مجموعه اتصال "محافظ در برابر واژگونی" (38) (4 پیچ اتصال، 8 واشر، 4 رینگ ایمنی، 4 مهره)
- مقاله (3)

- ریل پروفیلی (50)
- مهره خروسکی "ریل پروفیلی" (51)
- خط کش راهنمای موازی (9)
- کمکی خط کش راهنمای موازی (47)
- مجموعه اتصال "کمکی خط کش راهنمای موازی" (48) (2 پیچ اتصال، 2 مهره خروسکی)
- محافظ تیغه (27) با درپوش محافظ نصب شده (6)

- قفل پس زنی (7)
- آچار رینگی (35)
- آچار قلاب/آچار تخت (36)
- پیشران قطعه کار (15)
- صفحه زیر کار (واحد میز) (8)

نکته: ابزار برقی را از نظر هر گونه آسیب دیدگی احتمالی کنترل کنید.

قبل از ادامه کار با ابزار برقی، کلیه تجهیزات ایمنی را از نظر قابلیت کامل انجام کار کنترل کنید. هر گونه آسیب دیدگی قطعات را باید از لحاظ عملکرد بدون ایراد و مطابق با دستورات مقرر برای کاربرد ابزار برقی به دقت بررسی کنید. کنترل کنید که آیا قطعات متحرک بدون عیب و نقص هستند و گیر نمی کنند و قطعات آسیب قطعات دیده نیستند. همه قطعات باید به درستی مونتاژ شده و دارای شرایط لازم باشند، تا تضمینی برای عملکرد صحیح و بدون ایراد دستگاه وجود داشته باشد.

نحوه مونتاژ در محل ثابت یا متغیر

◀ برای تضمین استفاده مطمئن از این ابزار برقی، باید ابزار برقی را پیش از شروع به کار روی یک سطح صاف و ثابت کاری (بعنوان مثال روی یک میز کار) نصب کنید.

نصب با پایه زیرین و محافظ در برابر واژگونی (رجوع کنید به تصاویر a1-a3)

برای نصب "پایه زیرین" (37)، "محافظ در برابر واژگونی" (38) و "ابزار برقی" (39) از مجموعه اتصال استفاده کنید

- پایه زیرین (14) را به هم وصل کنید. پیچ ها را سفت ببندید.
- محافظ در برابر واژگونی (13) را به پایه زیرین پیچ کنید.
- ابزار برقی را طوری روی پایه زیرین قرار دهید که محافظ در برابر واژگونی سمت عقب را نشان دهد.
- ابزار برقی را روی پایه زیرین تثبیت کنید. برای این منظور سوراخ های جانبی (31) در ابزار برقی وجود دارد مانند سوراخ های موجود در پایه زیرین.

نصب بدون پایه زیرین (رجوع کنید به تصویر b)

ابزار برقی را به وسیله پیچ های اتصال مناسب روی سطح کار محکم کنید. برای این منظور سوراخ های (32) تعبیه شده اند.

نصب اجزاء تکی

- با احتیاط بسته بندی ها را از دستگاه برقی و قطعات متعلقه و ملحقات ارسالی جدا کنید.
- همه بسته بندی ها را از دستگاه برقی و قطعات متعلقه و ملحقات ارسالی جدا کنید.
- دقت کنید که بسته بندی را از بخش موتور جدا کنید.
- اجزاء دستگاه های زیر بطور مستقیم به بدنه دستگاه وصل شده اند: قفل پس زدن (7)، آچار رینگی (35)، آچار قلاب/آچار تخت (36)، مقاله (3)، خط کش راهنمای موازی (9)، کمکی خط کش راهنمای موازی (47) با مجموعه اتصال (48)، قاب محافظ (6)، پیشران قطعه کار (15)، تیغه اره (28).
- به محض نیاز به یکی از این اجزاء، آن را با احتیاط از بخش نگهدارنده بردارید.

نصب محافظ تیغه (رجوع کنید به تصاویر c)

- نکته:** در صورت لزوم پیش از قرار دادن تمام قطعات نصب، آنها را تمیز کنید.
- در صورت لزوم واحد میز (8) را بردارید.
 - میله چرخ دستی (17) را در جهت حرکت عقربه های ساعت تا انتها طوری بچرخانید که تیغه اره (28) در بالاترین حالت ممکن روی میز اره قرار گیرد.
 - پین ها (40) را با آچار رینگی (35) شل کنید.
 - محافظ تیغه (27) را قرار دهید و آن را تا انتها به پایین برانید.
 - پین ها (40) را با آچار رینگی (35) دوباره سفت کنید.
 - واحد میز (8) را نصب کنید.

نصب واحد میز (رجوع شود به تصویر d)

- واحد میز (8) را به شیارهای پشتی (41) جعبه ابزار آویزان کنید.
- واحد میز را به پایین برانید.
- روی واحد میز فشار وارد کنید تا در جعبه ابزار جا بیافتد.

نصب نقاله (رجوع کنید به تصویر h1-h2)

- ریل (49) نقاله (3) را در یکی از شیرهای راهنمای تعبیه شده (5) در میز آره برانید.
- برای بهتر قرار گرفتن قطعات کاری طولی، می توان نقاله را توسط ریل پروفیلی (50) گسترش داد.
- در صورت نیاز، ریل پروفیلی را به کمک مهره های خروسکی (51) به نقاله متصل کنید.

مکش گرد، براده و تراشه

- گرد و غبار موادی مانند رنگ های دارای سرب، بعضی از چوب ها، مواد معدنی و فلزات می توانند برای سلامتی مضر باشند. دست زدن و یا تنفس کردن گرد و غبار ممکن است باعث بروز آلرژی و یا بیماری مجاری تنفسی شخص استفاده کننده و یا افرادی که در آن نزدیکی میباشند، بشود.
- گرد و غبارهای مخصوصی مانند گرد و غبار درخت بلوط و یا درخت راش سرطان زا هستند، بخصوص ترکیب آنها با سایر موادی که برای کار بر روی چوب (کرومات، مواد برای محافظت از چوب) بکار برده میشوند. فقط افراد متخصص مجازند با موادی که دارای آزیست میباشند کار کنند.
- حتی الامکان از یک دستگاه مکش مناسب و درخواری ماده (قطعه کار) استفاده کنید.
- توجه داشته باشید که محل کار شما از تهویه هوای کافی برخوردار باشد.
- توصیه میشود از ماسک تنفسی ایمنی با درجه فیلتر P2 استفاده کنید.
- به قوانین و مقررات معتبر در کشور خود در رابطه با استفاده از مواد و قطعات کاری توجه کنید.
- دستگاه مکنده گرد و غبار و تراشه ممکن است در اثر گرد و غبار، تراشه ها، براده ها یا در اثر مکش تکه های کوچک قطعه کار مسدود شود.
- ابزار برقی را خاموش کنید و دو شاخه اتصال دستگاه را از داخل پریز برق بیرون بکشید.
- منتظر بمانید تا تیغه آره بطور کامل متوقف بشود.
- علت گرفتگی و انسداد را مشخص نموده و آنرا برطرف کنید.
- ◀ **از تجمع گرد و غبار در محل کار جلوگیری کنید.** گرد و غبار می توانند به آسانی مشتعل شوند.
- ◀ **جهت جلوگیری از بروز خطر آتش گرفتگی هنگام برش آلومینیوم، محافظه تراشه را خالی کنید و مکنده تراشه را بکار نبرید.**
- تخلیه خروجی تراشه (رجوع کنید به تصویر i)**
- برای برداشتن تکه های شکسته قطعه کار و تراشه های بزرگ می توان پوشش پایینی تیغه آره (52) را باز کرد.
- ابزار برقی را خاموش کنید و دوشاخه اتصال دستگاه را از داخل پریز برق بیرون بکشید.
- منتظر بمانید تا تیغه آره بطور کامل متوقف بشود.
- ابزار برقی را به کنار بخواهید.
- پیچ های اتصال (53) را شل کنید و پوشش تیغه آره پایینی (52) را باز کنید.
- تکه های شکسته قطعه کار و تراشه ها را بردارید.
- پوشش تیغه آره پایینی را ببندید و پیچ های آن را دوباره سفت کنید.

نصب قفل پس زدن (رجوع کنید به تصویر e)

- در صورت پس زدن، قفل پس زدن (7)، از پرتاب قطعه کار به سمت کاربر جلوگیری می کند. در این هنگام دندانهای تیز در سطح قطعه کار فرو رفته و آن را نگه می دارد.
- دکمه فشاری (42) قفل پس زدن (7) را با هم فشار دهید.
- برای این منظور بین راهنما به عقب کشیده می شود.
- قفل پس زدن (7) را روی محافظ تیغه (27) برانید و اجازه دهید دکمه فشاری (42) رها شود.
- قفل پس زدن را به سمت پوشش محافظ برانید تا بین راهنما در سوراخ عقب، بالای محافظ تیغه جا بیفتد.
- کنترل کنید که بین راهنما کاملاً به سوراخ متصل شده باشد و قفل پس زدن به درستی کار کند.
- قلاب های قفل پس زدن را با احتیاط بلند کنید.
- هنگام رها شدن، باید قلاب هایی که تحت فشار فنر قرار گرفته اند به سمت پایین رفته و با واحد میز تماس پیدا کنند.
- نصب خطکش راهنمای موازی (رجوع شود به تصویر f)**
- خطکش راهنمای موازی (9) را می توان به چپ یا راست تیغه آره تغییر داد.
- اهرم نگهدارنده (43) خطکش راهنمای موازی (9) را باز کنید. اینگونه راهنمای V شکل (44) آزاد می شود.
- ابتدا خطکش راهنمای موازی را با راهنمای V شکل در شیار راهنمای (45) تیغه آره قرار دهید.
- خطکش راهنمای موازی را در شیار راهنمای جلویی (46) میز آره قرار دهید.
- حال می توان خط کش راهنمای موازی را در وضعیت مورد نظر حرکت داد.
- برای تثبیت خطکش راهنمای موازی، دسته مهار (43) را به پایین برانید.
- نصب کمکی خط کش راهنمای موازی (رجوع کنید به تصویر g)**
- برای آره کردن قطعه کارهای باریک و آره کردن با زاویه مورب عمودی** باید کمکی خط کش راهنمای موازی (47) را به خط کش راهنمای موازی (9) نصب کنید.
- کمکی خط کش راهنمای موازی را می توان برحسب نیاز به چپ یا راست خط کش راهنمای موازی (9) نصب کرد.
- برای نصب، از بسته اتصال "کمکی خط کش راهنمای موازی" (48) (2 پیچ اتصال، 2 مهره خروسکی) استفاده کنید.
- پیچ های اتصال را از میان سوراخ های جانبی روی خط کش راهنمای موازی (9) عبور دهید.
- سر پیچ ها بعنوان راهنمای کمکی خط کش راهنمای موازی می باشند.
- کمکی خط کش راهنمای موازی (47) را روی سر پیچ های اتصال برانید.
- پیچ ها را به کمک مهره خروسکی محکم کنید.

- ◀ **هنگام نصب تیغه اره توجه داشته باشید که جهت برش دندان‌های تیغه اره (جهت فلش روی تیغه اره)، با جهت فلش روی قاب محافظ مطابقت داشته باشد!**
- فلنج مهار (55)، واشر (57) و پیچ شش گوش (56) را قرار دهید.
- پیچ شش گوش (56) را با آچار رینگ (35) در جهت عقربه ساعت محکم کنید، در همین حین با آچار قلاب (36)، فلنج مهار را نگه دارید.
- واحد میز (8) را دوباره قرار دهید.
- درپوش محافظ (6) را به سمت جلو خم کنید.

طرز کار با دستگاه

- ◀ **پیش از انجام هرگونه کاری بر روی ابزار الکتریکی، دوشاخه اتصال آنرا از داخل پریز برق بیرون بکشید.**

حالت حمل و نقل و کار تیغه اره

حالت حمل و نقل

- روکش محافظ (6) را بردارید، واحد میز (8) را جدا کنید و گوه (27) را در پایین ترین حالت قرار دهید. واحد میز (8) را دوباره قرار دهید.
- میل لنگ (17) را در خلاف جهت چرخش عقربه های ساعت بچرخانید تا دندان‌های تیغه اره (28) زیر میز اره (4) باشند.
- میز کشویی (10) را کاملا به داخل بکشید.
- دسته مهار (20) را به پایین فشار دهید. از این طریق میز کشویی تثبیت می شود.

وضعیت کاری

- گوه (27) را در بالاترین حالت ممکن دقیقاً روی مرکز تیغه اره قرار دهید، واحد میز (8) را بگذارید و روکش محافظ (6) را نصب کنید.
- میل لنگ (17) را در جهت چرخش عقربه های ساعت بچرخانید تا دندان‌های بالایی تیغه اره (28) حدود 6 - 3 میلیمتر بالای قطعه کار قرار گیرند.

نحوه تنظیم زاویه برش فارسی عمودی و افقی

برای تضمین انجام برش های دقیق، باید بعد از کاربرد مستمر ابزار برقی، تنظیمات پایه و اولیه ابزار برقی را کنترل نموده و در صورت لزوم تنظیم و اصلاح کنید.

تنظیم زاویه های فارسی عمودی (تیغه اره) (رجوع کنید به تصویر A)

- زاویه برش فارسی عمودی را می توان در محدوده 0° تا 45° تنظیم کرد.
- اهرم قفل کننده (16) را در خلاف جهت چرخش عقربه های ساعت باز کنید.
- نکته:** در صورت باز شدن کامل اهرم قفل کننده، تیغه اره با نیروی جاذبه به حالتی می رود که تقریباً 30° مطابقت دارد.
- چرخک دستی (18) را در امتداد زمینه بکشید تا نمایشگر زاویه (59) زاویه برش فارسی دلخواه را نشان دهد.

- ابزار برقی را در وضعیت آماده به کار قرار دهید.

مکش خارجی (رجوع کنید به تصویر Z)

- یک شلنگ مکش گرد و غبار مناسب را در آداپتور مکش (34) فرو کنید.

دستگاه مکنده باید برای قطعه کار مورد نظر مناسب باشد.

برای مکش گرد و غباری که برای سلامتی مضرند و سرطان زا هستند و یا برای مکش تراشه های خشک باید از یک دستگاه مکنده مخصوص استفاده کنید.

تعویض تیغه اره (رجوع کنید به تصاویر k1-k4)

◀ **پیش از انجام هرگونه کاری بر روی ابزار الکتریکی، دوشاخه اتصال آنرا از داخل پریز برق بیرون بکشید.**

◀ **به هنگام مونتاژ تیغه اره از دستکش ایمنی استفاده کنید.** خطر جراحت وجود دارد.

◀ **فقط از تیغه های اره ای استفاده کنید که حداکثر سرعت مجاز آنها از سرعت در حالت آزاد (بدون بار) ابزار برقی شما بیشتر باشد.**

◀ **فقط از تیغه های اره ای استفاده کنید که دارای مشخصات و ارقام فنی مندرج در این دفترچه راهنما باشند و طبق استاندارد**

EN 847-1 کنترل و آزمایش شده و مطابق آن علامتگذاری شده باشند.

◀ **فقط از تیغه ارههایی استفاده کنید که از طرف تولید کننده این ابزار برقی توصیه شده و برای مادهای که قصد کار کردن بر روی آن را دارید، مناسب باشد.** بدین طریق میتوانید از

داغ شدن دندانهای تیغه اره و ذوب شدن قطعه کار ساخته شده از مواد مصنوعی، جلوگیری کنید.

◀ **از تیغه ارههای فولادی HSS استفاده نکنید.** اینگونه تیغه های اره ممکن است سریع بشکنند.

◀ **نحوه باز کردن و برداشتن تیغه اره**

- میله چرخک دستی (17) را در جهت حرکت عقربه های ساعت تا انتها طوری بچرخانید که تیغه اره (28) در بالاترین موقعیت ممکن روی میز اره قرار گیرد.

- درپوش محافظ (6) را به سمت عقب خم کنید.

- واحد میز (8) را از سوراخ تعبیه شده (54) بلند کنید و آن را از جعبه ابزار جدا نمایید.

- پیچ شش گوش (56) را با آچار رینگ (35) خلاف جهت عقربه ساعت باز کنید، در همین حین با آچار قلاب (36)، فلنج مهار (55) را نگه دارید.

- واشر (57) و فلنج مهار (55) را بردارید.

- تیغه اره (28) را جدا کنید.

◀ **نحوه نصب کردن تیغه اره**

در صورت لزوم، قطعات را پیش از نصب تمیز کنید.

- تیغه اره نو را روی فلنج گیرنده (58) محور ابزار قرار دهید.

نکته: تیغه اره های بسیار کوچک را بکار نبرید.

شکاف قطری بین تیغه اره و گوه بایستی تا بیشینه 3 - 8 میلیمتر باشد.

برای تثبیت، اهرم مهار (43) را دوباره به پایین فشار دهید.

- اهرم مهار (20) را برای بسط میز اره کاملاً به بالا برانید.
- کشویی بسط میز اره (10) را به بیرون بکشید تا نشانگر فاصله (63) فاصله دلخواه نسبت به تیغه اره را روی درجه بندی (2) نمایش بدهد.
- اهرم مهار (20) را به پایین فشار دهید.
- اینگونه کشویی بسط میز اره تثبیت می شود.

تنظیم کمی خط کش راهنمای موازی (رجوع کنید به تصویر E)

برای اره کردن قطعه کارهای باریک و اره کردن با زاویه مورب عمودی باید کمی خط کش راهنمای موازی (47) را به خط کش راهنمای موازی (9) نصب کنید.

کمی خط کش راهنمای موازی را می توان برحسب نیاز به چپ یا راست خط کش راهنمای موازی (9) نصب کرد.

- ممکن است قطعات کار هنگام اره کاری بین خط کش راهنمای موازی و تیغه اره گیر کنند و بوسیله تیغه اره برآمده به داخل کشیده و پرت شوند.
- به همین دلیل خط کش راهنمای موازی را طوری تنظیم کنید که انتهای آن در محدوده بین اولین دندان تیغه اره و لبه جلویی محافظ تیغه قرار گیرد.
- برای این منظور تمام مهره های خروسکی مجموعه اتصال (48) را شل کنید و یدکی خط کش راهنمای موازی مربوطه را حرکت دهید.
- پیچ های خروسکی را دوباره محکم ببندید.

راه اندازی و نحوه کاربرد دستگاه

◀ به ولتاژ برق شبکه توجه کنید! ولتاژ منبع جریان برق باید با مقادیر موجود بر روی برچسب ابزار الکتریکی مطابقت داشته باشد.

روشن کردن (رجوع کنید به تصویر F1)

- درپوش ایمنی (19) را به بالا برانید.
- برای راه اندازی، دکمه قطع و وصل سبز (25) را فشار دهید.
- بگذارید درپوش ایمنی (19) دوباره به پایین بیفتد.

خاموش کردن (رجوع کنید به تصویر F2)

- درپوش ایمنی (19) را بفشارید.

کلاج ایمنی

ابزار برقی مجهز به محافظ اضافه بار میباشد. در صورت استفاده اصولی، ممکن است فشاری به ابزار برقی وارد نشود. هنگام وارد آمدن فشار بیش از حد، سیستم الکترونیکی، ابزار برقی را بطور اتوماتیک خاموش می کند.

قبل از ادامه کار با ابزار برقی مراحل زیر را انجام دهید:

- بگذارید ابزار برقی حداقل 10 دقیقه خنک شود.
- دکمه استارت مجدد (26) را فشار دهید و سپس ابزار برقی را دوباره روشن کنید.

- چرخک دستی را در این وضعیت نگهدارید و اهرم قفل کننده (16) را دوباره سفت کنید.

برای تنظیم سریع و دقیق زاویههای عمودی استاندارد 0° و 45° از طرف کارخانه نگهدارندهای (24)، (22) از پیش در نظر گرفته شده.

تنظیم زاویه های فارسی افقی (نقاله) (رجوع کنید به تصویر B)

زاویه برش فارسی افقی را می توان در محدوده 30° تا (از طرف چپ) 30° تنظیم کرد.

- دکمه تثبیت (60) را در صورت محکم بودن، باز کنید.

- نقاله را بچرخانید تا نمایشگر زاویه (61) زاویه دلخواه را نشان دهد.

- دکمه تنظیم (60) را دوباره سفت کنید.

گسترش میز اره

زیر قسمت انتهایی باز قطعات کاری سنگین و طولی را باید پایه زد و یا به نحوی مهار نمود.

گسترش میز اره (رجوع کنید به تصویر C)

میز کشویی (10) میز اره (4) را به طرف راست تا بیشینه 950 میلیمتر گسترش می دهد.

- دسته مهار (20) را برای گسترش میز کاملاً به بالا برانید.

- میز کشویی (10) را به اندازه طول دلخواه به بیرون بکشید.

- دسته مهار (20) رابه پایین فشار دهید. از این طریق میز کشویی تثبیت می شود.

تنظیم کردن خطکش راهنمای موازی

خط کش راهنمای موازی (9) را می توان در سمت چپ یا راست تیغه اره قرار داد. علامت در ذره بین (62) فاصله تنظیمی خط کش راهنمای موازی را نسبت به تیغه اره روی درجه بندی (1) نشان می دهد.

گونبای موازی را در سمت دلخواه تیغه اره (رجوع کنید به تصویر f)، نصب خطکش راهنمای موازی (رجوع شود به صفحه 131) قرار دهید.

تنظیم خط کش راهنمای موازی

در صورت عدم بسط میز اره

- اهرم مهار (43) خط کش راهنمای موازی (9) را باز کنید. خط کش راهنمای موازی را حرکت دهید تا جایی که علامت گذاری در عدسی (62) فاصله دلخواه را نسبت به تیغه اره نشان دهد.

در صورت گسترده نبودن میز اره، نوشته پایینی درجه بندی (1) معتبر است.

- برای تثبیت، اهرم مهار (43) را دوباره به پایین فشار دهید.

تنظیم خط کش راهنمای موازی

در صورت بسط دادن میز اره (رجوع کنید به تصویر D)

- خط کش راهنمای موازی را در سمت راست تیغه اره قرار دهید.

خط کش راهنمای موازی را حرکت دهید تا جایی که علامت گذاری در عدسی (62) روی درجه بندی (1) سانتیمتر را نشان دهد.

اره کردن

اره کردن برش های مستقیم

- گونیای موازی (9) را روی عرض برش دلفواه قرار دهید.
- قطعه کار را روی میز جلوی روکش محافظ (6) قرار دهید.
- میل لنگ (17) را تا اندازه ای بالا یا پایین ببرید که دندانه های بالایی تیغه اره (28) حدود 3 - 6 mm بالای قطعه کار قرار گیرند.
- ابزار برقی را روشن کنید.
- قطعه کار را با فشار یکنواخت اره کنید.
- در صورت ایجاد فشار بسیار زیاد ممکن است سر تیغه اره داغ شود و قطعه کار آسیب ببیند.
- ابزار برقی را خاموش کنید و منتظر بمانید که تیغه اره به طور کامل متوقف شود.

اره کردن تحت زاویه برش فارسی عمودی (مورب)

- زاویه مورب دلفواه تیغه اره را تنظیم کنید.
- هنگام متمایل بودن تیغه اره به سمت چپ، گونیای موازی (9) باید در سمت راست تیغه اره باشد.
- مراحل برش کاری را مطابق با این بخش دنبال کنید: (رجوع کنید به «اره کردن برش های مستقیم»، صفحه 134)

برش با زاویه مورب افقی (رجوع کنید به تصویر H)

- زاویه مورب افقی مورد نظر را روی نقاله (3) تنظیم کنید.
- قطعه کار را روی ریل پروفیلی (50) قرار دهید.
- پروفیل نباید در خط برش قرار گیرد. در این مورد مهره های خروسکی (51) را شل کنید و ریل پروفیلی را جا به جا کنید.
- تیغه اره را توسط میله چرخک دستی (17) تا اندازه ای بالا یا پایین ببرید که دندانه های بالایی تیغه اره (28) حدود 3 - 6 mm بالای قطعه کار قرار گیرند.
- ابزار برقی را روشن کنید.
- قطعه کار را با دست به طرف ریل پروفیلی (50) فشار دهید و نقاله را با دست دیگر روی پیچ تثبیت (60) آهسته در شیار راهنما (3) به طرف جلو برانید.
- ابزار برقی را خاموش کنید و منتظر بمانید تا تیغه اره بطور کامل متوقف شود.

تنظیم و کنترل تنظیمات پایه

برای تضمین انجام برش های دقیق، باید بعد از کاربرد مستمر ابزار برقی، تنظیمات پایه و اولیه ابزار برقی را کنترل نموده و در صورت لزوم تنظیم و اصلاح کنید.

برای این منظور به تجربه و ابزار ویژه نیاز دارید. تعمیرگاه مجاز و خدمات پس از فروش Bosch این کار را سریع و مطمئن انجام می دهد.

تنظیم نگهدارنده های زاویه مورب عمودی استاندارد 0°/45°

- ابزار برقی را در وضعیت آماده به کار قرار دهید.

قطع جریان برق

کلید قطع و وصل، به اصطلاح یک کلید ولتاژ صفر است که از روشن شدن مجدد ابزار برقی پس از قطع شدن جریان برق (بطور مثال در اثر خارج کردن دوشاخه اتصال از داخل پریز برق در حین عملکرد ابزار) جلوگیری بعمل می آورد.

کلید قطع و وصل (25) را برای راه اندازی دوباره ابزار برقی فشار دهید.

راهنماییهای عملی

دستورالعمل ها و توضیحات کلی برای اره کاری

- ◀ برای انجام هر گونه برش، ابتدا باید اطمینان حاصل کنید هیچگونه امکان تماسی مابین تیغه اره با راهنماهای برش یا سایر قطعات و بخش های دستگاه وجود ندارد.
- ◀ برای استفاده از ابزار برقی جهت شیار اندازی یا چین اندازی همواره از تجهیزات ایمنی مناسب (مانند قاب ایمنی تونلی، شانه فشار) استفاده کنید.

از ابزار برقی برای شیاراندازی استفاده نکنید (انتهای شیار در قطعهکار).

تیغه اره را در برابر ضربه محافظت کنید. تیغه اره نباید در معرض هیچگونه فشار جانبی قرار بگیرد. توجه داشته باشید که محافظ تیغه باید کاملاً در امتداد و در یک خط با تیغه اره قرار بگیرد، تا از گیر کردن قطعه کار جلوگیری بعمل آید.

از کار بر روی قطعه کار خمیده و ناصاف خودداری کنید. قطعه کار باید همواره یک ضلع صاف و مستقیم برای تکیه دادن به خط کش راهنمای برش داشته باشد.

میله نگهدارنده جانبی قطعه کار را همواره در نزدیکی ابزار برقی قرار دهید.

حالت کاربر (رجوع کنید به تصویر G)

- ◀ هرگز در یک خط مستقیم با تیغه اره نایستید. همیشه در کنار ابزار بایستید، جایی که ریل نگهدارنده هم قرار دارد. هنگام پس زدن، اجسام ممکن است با سرعت زیاد به طرف کاربر پرتاب شوند که در خط مستقیم با تیغه اره ایستاده اند.

- دست ها، بازوها و انگشتان خود را از تیغه اره در حال چرخش دور نگهدارید.

- نکات و توصیه های زیر توجه کنید:
- قطعه کار را با هر دو دست مطمئن نگهدارید و آن را محکم به میز اره فشار دهید.
- برای اره کردن قطعه کارهای باریک و برش دادن با زاویه مورب عمودی همیشه از پیشران قطعه کار ارسالی (15) و گونیای موازی یدکی (47) استفاده کنید.

پیشینه اندازه های قطعه کار

زاویه برش فارسی عمودی	پیشینه ارتفاع قطعه کار [میلیمتر]
0°	80
45°	55

- زاویه مورب عمودی تیغه اره را روی 0° تنظیم کنید.
- نحوه کنترل (رجوع کنید به تصویر I1)**
- یک نقاله را روی 90° تنظیم کنید و بر میز اره (4) قرار دهید.
- پای نقاله بایستی با تیغه اره (28) روی کل طول مسطح شود.
- نحوه تنظیم (رجوع کنید به تصویر I2)**
- پیچ (64) را باز کنید. اینگونه نگهدارنده (-240°) جا به جا می شود.
- اهرم قفل کننده (16) را باز کنید.
- چرخک دستی (18) را برعکس نگهدارنده 0° را جا به جا کنید تا پای نقاله با تیغه اره روی کل طول مسطح شود.
- چرخک دستی را در این وضعیت نگهدارید و اهرم قفل کننده (16) را دوباره سفت کنید.
- پیچ (64) را دوباره سفت کنید.
- چنانچه نشانگر زاویه (59) پس از تنظیم در یک خط با علامت 0° درجه بندی (23) نیست، پیچ (65) با یک پیچکوشتی چهارسوی معمولی باز کنید و نشانگر زاویه را در امتداد علامت 0° تنظیم کنید.
- مراحل کاری بالا را بر همین روال برای زاویه برش فارسی عمودی 45° تکرار کنید (پیچ (66) را باز کنید؛ نگهدارنده 2245°)) را جا به جا کنید. نمایشگر زاویه (59) نباید در این حین تغییر کند.
- موازی بودن تیغه اره با شیارهای راهنمای نقاله (رجوع کنید به تصویر J)**
- ابزار برقی را در وضعیت آماده به کار قرار دهید.
- نحوه کنترل**
- با یک مداد، اولین دندان ای که در پشت بالای واحد میز دیده می شود را علامت بزنید.
- نقاله را روی 90° تنظیم کنید و آن را روی لبه شیار راهنما (5) قرار دهید.
- پایه نقاله را جا به جا کنید تا به دندان اره برخورد کند و فاصله بین تیغه اره و شیار راهنما را بخوانید.
- تیغه اره را بچرخانید تا دندان علامت گذاری شده در جلو بالای واحد میز قرار گیرد.
- خط کش راهنمای زاویه را در امتداد شیار راهنما تا محل دندان علامت گذاری شده تیغه اره حرکت دهید.
- فاصله مابین تیغه اره و شیار راهنما را مجدداً اندازه بگیرید.
- هر دو فاصله اندازه گیری شده باید با یکدیگر یکسان باشند.
- نحوه تنظیم**
- پیچ های آلن (67) جلو روی میز اره و پیچ های آلن (68) عقب روی میز اره را با آچار آلن باز کنید.
- تیغه اره را با احتیاط حرکت دهید تا با شیار راهنما (5) موازی شود.
- تمام پیچ ها (67) و (68) را دوباره سفت کنید.
- نحوه تنظیم نمایشگر فاصله میز اره (رجوع کنید به تصویر K)**
- گونیای موازی را در سمت راست تیغه اره قرار دهید.
- گونبای موازی را جا به جا کنید تا علامت در ذره بین (62) روی درجه بندی پایینی 28 سانتیمتر را نشان دهد.
- برای تثبیت، اهرم مهار (43) را دوباره به پایین فشار دهید.
- اهرم مهار (20) را کاملاً به بالا بکشید و کشویی بسط میز اره (10) را تا انتها به بیرون بکشید.
- نحوه کنترل**
- نشانگر فاصله (63) در صفحه درجه بندی (2) باید همان مقدار را نشان دهد که در عدسی (62) در صفحه درجه بندی (1) علامت گذاری شده است.
- نحوه تنظیم**
- دسته مهار را کاملاً به بالا و میز کشویی (10) را تا انتها به بیرون بکشید.
- پیچ (69) را با یک پیچکوشتی چهارسوی باز کنید و نمایشگر فاصله (63) را در امتداد درجه 28 سانتیمتری درجه بندی بالایی (1) تراز کنید.
- نحوه تنظیم موازی بودن خط کش راهنمای موازی (رجوع کنید به تصویر L)**
- ابزار برقی را در وضعیت آماده به کار قرار دهید.
- قفل پس زنی (7) را جدا کنید و درپوش محافظ (6) را به سمت عقب خم کنید.
- اهرم مهار (43) خط کش راهنمای موازی را شل کنید و آن را حرکت دهید تا با تیغه اره تماس پیدا کند.
- نحوه کنترل**
- خطکش راهنمای موازی (9) باید تیغه اره را از تمام طول لمس کند.
- نحوه تنظیم**
- پیچ های آلن (70) را بوسیله آچار آلن باز کنید.
- خط کش راهنمای موازی (9) را با احتیاط حرکت دهید تا با تمامی طول تیغه اره تماس پیدا کند.
- خط کش راهنمای موازی را در این وضعیت نگه دارید و اهرم مهار (43) را دوباره به پایین فشار دهید.
- پیچ های آلن (70) را دوباره سفت کنید.
- نحوه تنظیم ذره بین خطکش راهنمای موازی (رجوع کنید به تصویر L)**
- ابزار برقی را در وضعیت آماده به کار قرار دهید.
- قفل پس زنی (7) را جدا کنید و درپوش محافظ (6) را به سمت عقب خم کنید.
- خط کش راهنمای موازی (9) را از راست حرکت دهید تا با تیغه اره تماس پیدا کند.
- نحوه کنترل**
- ذره بین (62) بایستی در یک خط با درجه 0 میلیمتری درجه بندی (1) قرار گیرد.
- نحوه تنظیم**
- پیچ (71) را با یک چهارسوی باز کنید و علامت را با درجه 0 میلیمتری تراز کنید.
- نگهداری و حمل و نقل**
- نگهداری اجزاء دستگاه (رجوع کنید به تصاویر N-M)**
- ابزار برقی به شما امکان اتصال ایمن عناصر مشخص دستگاه را جهت نگهداری می دهد.

- ارسال با یک کاهنده سر و صدای ویژه تیغه اره اقدامات از طرف کاربر:
- نصب بدون لرزش روی یک سطح کار ثابت
- استفاده از تیغه اره های دارای کاهنده سر و صدا
- تمیز کردن مرتب تیغه اره و ابزار برقی

متعلقات

شماره فنی	نقاله
2 610 015 508	
1 600 A02 2D7	پیشران قطعه کار
شماره فنی	تیغه های اره برای چوب و صفحات فشرده چوبی، پانل ها و زوارها
2 608 640 901	تیغه اره 25,4 x 254 میلیمتر، 40 دندانه
2 608 640 902	تیغه اره 25,4 x 254 میلیمتر، 60 دندانه

خدمات و مشاوره با مشتریان

خدمات مشتری، به سئوالات شما درباره تعمیرات، سرویس و همچنین قطعات یدکی پاسخ خواهد داد. نقشه های سه بعدی و اطلاعات مربوط به قطعات یدکی را در تارنمای زیر میابید:

www.bosch-pt.com

گروه مشاوره به مشتریان Bosch با کمال میل به سئوالات شما درباره محصولات و متعلقات پاسخ می دهند.

برای هرگونه سؤال و یا سفارش قطعات یدکی، حتماً شماره فنی 10 رقمی کالا را مطابق برچسب روی ابزار برقی اطلاع دهید.

ایران

روبرت بوش ایران - شرکت بوش تجارت پارس
میدان ونک، خیابان شهید خدای، خیابان آفتاب
ساختمان مادیران، شماره 3، طبقه سوم.
تهران 1994834571
تلفن: +9821 42039000

آدرس سایر دفاتر خدماتی را در ادامه بیابید:
www.bosch-pt.com/serviceaddresses

از رده خارج کردن دستگاه

ابزار برقی، متعلقات و بسته بندی آن، باید طبق مقررات حفظ محیط زیست از رده خارج و بازیافت شوند.

ابزارهای برقی را داخل زباله دان خانگی نیاندازید!



- کمکی خط کش راهنمای موازی (47) را از خط کش راهنمای موازی (9) باز کنید.
- تمامی قطعات باز شده دستگاه را در محفظه نگهداری روی بدنه (به جدول زیر رجوع کنید) قرار دهید.

تص ویر	اجزاء دستگاه	محل نگهداری
M	آچار رینگ (35)	در محل نگهداری ابزار (33) قرار دهید
M	آچار فلاپ/آچار تخت (36)	در محل نگهداری ابزار (33) قرار دهید
M	قفل پس زدن (7)	در محل نگهداری ابزار (33) قرار دهید
M	نقاله (3) با ریل پروفیلی (50)	در گیره های واقع در محل نگهداری (29) برانید
N	خط کش راهنمای موازی (9) یا یدکی خط کش راهنمای موازی نصب شده (47)	در محل نگهداری ابزار (12) قرار دهید
N	پیشران قطعه کار (15)	در محل نگهداری ابزار (21) قرار دهید

مراقبت و سرویس

مراقبت، تعمیر و تمیز کردن دستگاه

◀ پیش از انجام هرگونه کاری بر روی ابزار الکتریکی، دوشاخه اتصال آنرا از داخل پریز برق بیرون بکشید.

◀ ابزار الکتریکی و شیارهای تهویه آنرا تمیز نگاه دارید، تا ایمنی شما در کار تضمین گردد.

در صورت نیاز به یک کابل یدکی برای اتصال به شبکه برق، بایستی به شرکت Bosch و یا به نمایندگی مجاز Bosch (خدمات پس از فروش) برای ابزار آلات برقی مراجعه کنید تا از بروز خطرات ایمنی جلوگیری بعمل آید.

نحوه تمیز کردن

بعد از انجام هر مرحله کار، گرد و غبار و تراشه ها را به وسیله فشار هوا و یا بوسیله یک قلم مو از دستگاه دور کنید.

روغن کاری ابزار برقی

ماده روان ساز:

روغن موتور SAE 10/SAE 20

- در صورت نیاز ابزار برقی را در قسمت های نشان داده شده روغن کاری کنید.



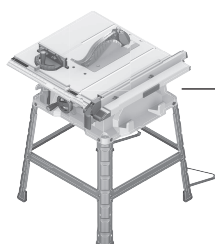
تعمیرگاه مجاز شرکت Bosch این کارها را سریع و با اطمینان انجام می دهند.

مواد تمیز کننده و روان ساز را مطابق با حفظ محیط زیست دفع کنید. به مقررات قانونی توجه کنید.

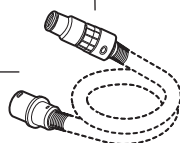
اقدامات برای کاهش سر و صدا

اقدامات از طرف تولید کننده:

- روشن شدن آرام الکترونیکی



1 619 PA7 326



Ø 35 mm:
 2 608 000 569 (3 m)
 2 608 000 565 (5 m)
 1 619 PB3 826 (3 m)



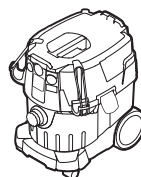
Ø 35 mm:
 2 608 000 570 (3 m)
 2 608 000 566 (5 m)



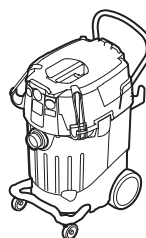
GAS 15 PS



GAS 12-25 PL



GAS 35 L SFC+
 GAS 35 L AFC
 GAS 35 M AFC



GAS 55 M AFC